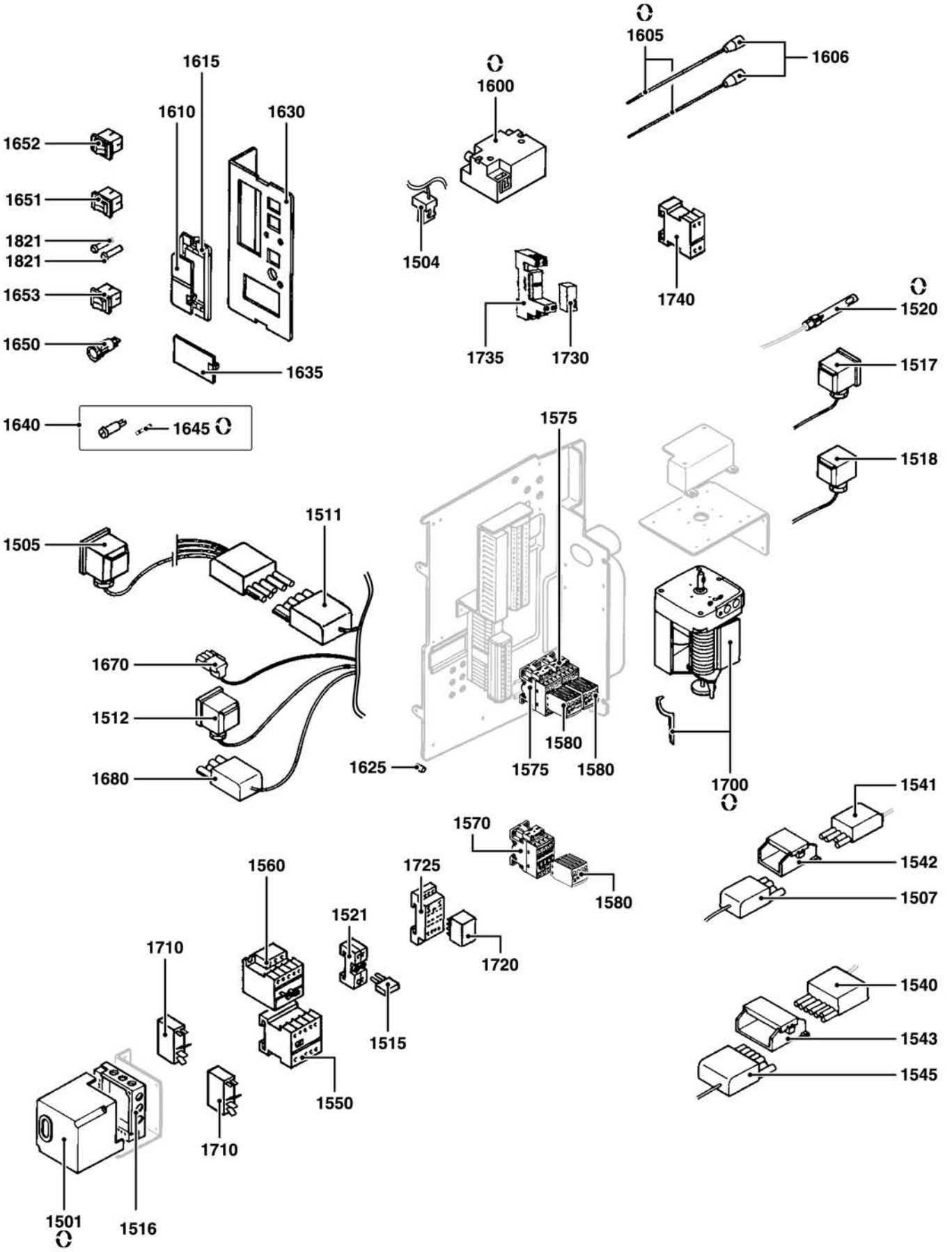


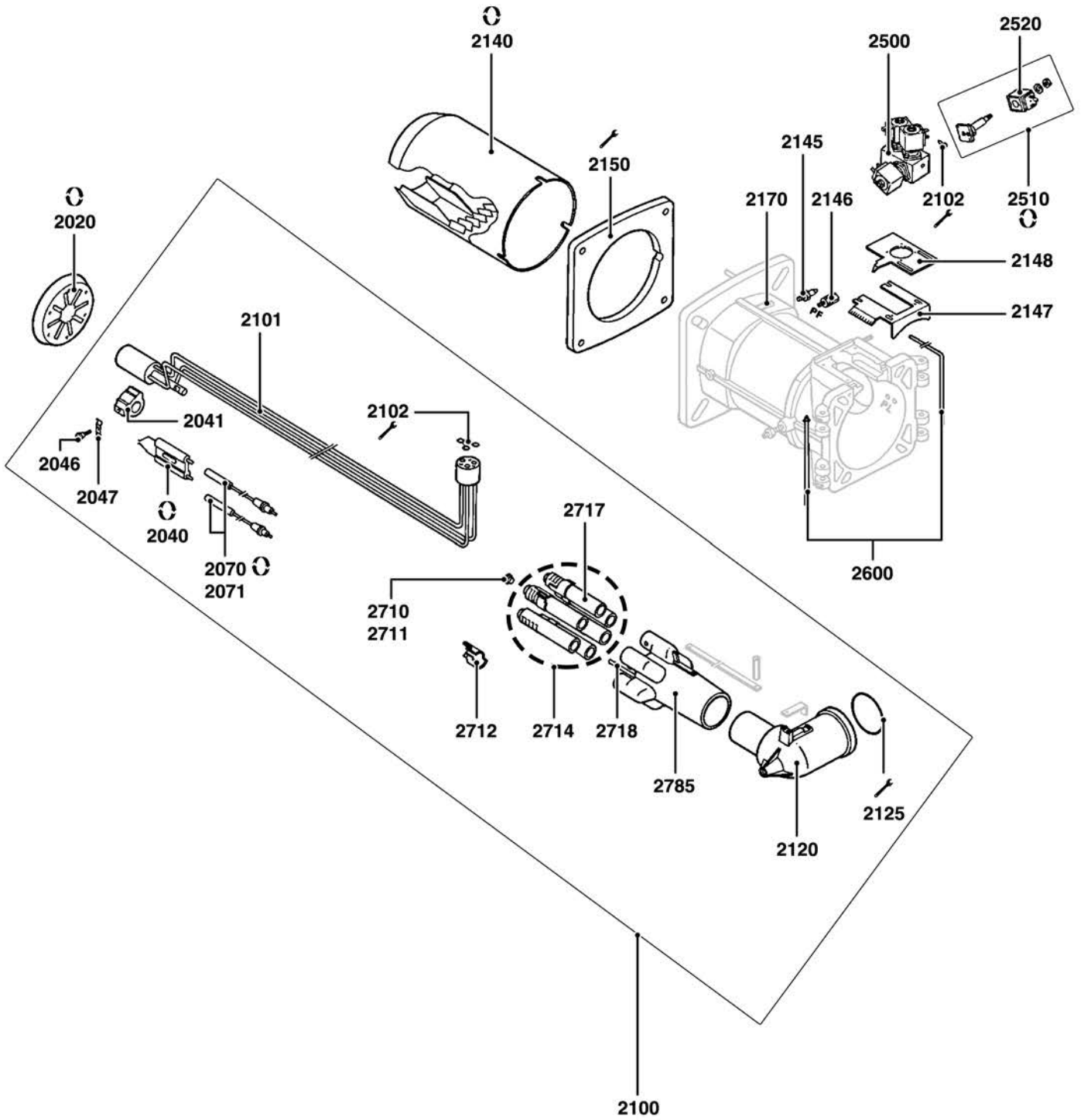
☉⇒	Description	Manf. Pt. N	Type	<div style="border: 1px solid black; padding: 2px; display: inline-block; transform: rotate(-30deg); font-size: 8px;"> BB-VGL 08-1600 DP/TC BB-VGL 08-2100 DP/TC BB-VGL 08-2100 DP M0660HZ CH-D731 - T1/KN CH-D731 - T2/KL CH-D732 - T3/KM CH-D732 - T1/KN CH-D732 - T2/KL CH-D732 - T3/KM GT-831 - T1/14 - R92 GT-832 - T1/12 - R92 GT-831 - 2" - R92 GT-831 - 2" - R92* GT-832 - 65 - DN65 GT-833 - 80 - DN80 </div>																		From	to
				1	2	3	4	5	6	7	8	9	10	11	12	13	14	15	16	17	18		
1000	BURNER BODY																						
1005	AIR BOX 318X414X167+FLAP+GREY SPRING+COV	13011565		•	•	•																09/16	
	AIR BOX 318X414X167+METAL FLAP+COVER	65326951		•	•	•															10/16		
1010	AIR BOX INSULATION	13009641		•	•	•																	
1011	GASKET/CASING AIR109X6X7 PROFILED	13009640		•	•	•																	
1012	AIR BOX COVER	13009642		•	•	•																09/16	
	AIR BOX COVER	65326223		•	•	•															10/16		
1026	AIR RECTIFIER 148/162 4BL.	13009748		•	•	•																	
1050	AIR FLAP WITH FITTINGS	13014117		•	•	•																09/16	
	METAL AIR FLAP WITH FITTINGS	65326952		•	•	•															10/16		
1051	AIR SPRING (GREY)	13011751		•	•	•																09/16	
1055	COUPLING AIR FLAP/SQN-SQM EQ.L277	13011835		•	•	•																09/16	
	METAL AIR FLAP COUPLING/SQM L288	65326954		•	•	•															10/16		
1070	FAN WHEEL D240X114 d24	13009736		•																			
	FAN WHEEL D250X114 d24	13009737		•	•	•																	
1080	GROMMET	13014004		•	•	•																	
1100	HOOD VECTRON 05 AND V06 + SCREW	13009655		•	•	•																	
1101	FRONT PLATE	13009656		•	•	•																	
1105	GASKET/COVER-LEAK 10X3	13009772		•	•	•																	
1109	HOOD COVER	13009659		•	•	•																	
1110	SHUTTER/HOOD (LFL.)/RESET	13009658		•	•	•																	
1111	HOOD MOUNTING SCREW	13009657		•	•	•																	
1150	CAPACITOR 100µF	65326970	SIMEL			•																	
	CAPACITOR 12µF	13015715	ACC	•	•																		
	CAPACITOR 22µF 2P 3MM	65326967	SIMEL	•	•																		
1160	MOTOR 2.7KW 400/690V D24 +PLUG	65301124				•																	
	MOTOR 2.2KW230/400V D24+PLUG	13009739		•																			
	MOTOR 2.5KW230/400V D24+PLUG	13009740			•																		
1165	MOTOR 0.45KW 120V D12,7 GMP	65300055				•																	
	MOTOR 0.45KW 230V D12.7 GMP	13009807		•	•																		
1170	MOTOR/PUMP COUPLING H-B	13009806		•	•	•																	
1175	FUEL OIL PUMP AJ6 CC 1004	13009802		•	•	•																	
1180	PUMP FILTER AJ6	13014194		•	•	•																	
1181	GASKET/COVER-PUMP SUN AJ	13014193		•	•	•																	
1200	FUEL HOSE L 1.5M	13009815		•	•	•																	
1201	CONNECTOR/HOSE G1/4/M16X1,5	13014419		•	•	•																	
1202	CONNECTOR/HOSE G1/8/M14X1,5	13014676		•	•	•																	
1205	HOSE M14X1.5X2 L1300	13009809		•	•	•																	
1240	PRESSURE TAP	13009738		•	•	•																	
1260	AIR PRESS. SWITCH LGW 3 A2 0.4-3MB DIN	13010111		•	•	•																	
1280	INSPECTION GLASS	13010008		•	•	•																	
1290	GASKET/HOUSING-HEAD D218X8/5X10	13010055		•	•	•																	
1300	FLAME MONITORING COVER W/FITTINGS	13014118		•	•	•																	



Description	Manf. Pt. N	Type	<div style="display: flex; justify-content: space-between; font-size: 8px; margin-bottom: 5px;"> BB-VGL 08-1800 DP/TC BB-VGL 08-2100 DP/TC BB-VGL 08-2100 DP 100/60HZ CH-D731 - T1/KN CH-D731 - T2/KL CH-D731 - T3/KM CH-D732 - T1/KN CH-D732 - T2/KL CH-D732 - T3/KM GT-831 - 1"14 - R92 GT-832 - 1"12 - R92 GT-831 - 2" - R92 GT-832 - 2" - R92 GT-833 - 65 - DN65 GT-833 - 80 - DN80 </div>																		<div style="border: 1px solid black; padding: 2px; font-size: 10px; text-align: center;">31</div>	
			1	2	3	4	5	6	7	8	9	10	11	12	13	14	15	16	17	18	From	to
1500 ELECTRIC PART																						
1501 CONTROL UNIT LFL 1.333	13011763		•	•																		
CONTROL UNIT LFL 1.335 A17 110/60	65325712	110V			•																	
1504 CABLE IGNIT.TRANSFO+PLUG 2P 2X0,75 L420	13009773		•	•	•																	
1505 CABLE OILVALVE+P.DIN/WI.5P L1500VS+1+2+3	13014716		•	•	•																	
1507 CABLE+PLUG 4P/3X0,75 L620	13009669		•	•	•																	
1511 CABLE SOL.VALVE+PLUGWIE. 5P 5X0,75 L1250	13014120		•	•	•																	
1512 CABLE AIR P.SWITCH+PLUGDIN/3X0,75 L1200	13009799		•	•	•																	
1515 MEASURING BRIDGE [µA DC]	13009676		•	•	•																	
1516 AGM410490550 (LFL BASE)	13009176		•	•	•																	
1517 CABLE GAS P.SWITCH+P.DIN/4X0,75L2000(X3)	13011839		•	•	•																	
1518 CABLE GAS VALVE+P.DIN/3X0,75L2000(X4)	13009666		•	•	•																	
1520 CELL QRA 2 FLANGE+COLLAR	13012980		•	•	•																	
1521 BLOCK JUNCTION M6/8,4	13014121		•	•	•																	
1540 WIELAND PLUG 7P.	13009670		•	•	•																	
1541 WIELAND PLUG 4P.MALE GREEN	13009667		•	•	•																	
1542 HOOD/WIELAND PLUG 4P.ST18/4	13009668		•	•	•																	
1543 HOOD/WIELAND PLUG 7P	13009671		•	•	•																	
1545 CABLE+PLUG 7P/7X0,75 L620	13009672		•	•	•																	
1550 CONTACTOR	13009778		•	•																		
1560 THERMAL RELAY LR2K 5.5-8.0A	13009746		•	•	•																	
1570 CONTACTOR NF31E-13	65301252		•	•	•																	
1575 CONTACTOR AF09-30-10-13	65301251		•	•	•																	
1580 TIMER TEF4-ON (0.1/100S)	65301253		•	•	•																	
1600 IGNITION TRANSFORMER EBI 2X7.5 230V	13009663		•	•																		
IGNITION TRANSFORMER EBI 2X8 120V L410	65301214	110V			•																	
1605 IGNITION CABLE BERU D6,35/D4 L750X2 BODY	13009743		•	•	•																	
1606 ROUND CONNECTOR CABLE ALU.ION X2	13010068		•	•	•																	
1610 SHUTTER/CONSOLE	13009661		•	•	•																	
1615 LOAD CONTR. SUPPORT	13009662		•	•	•																	
1625 RUBBER CAP/IGNITION CABLE	13009625		•	•	•																	
1630 CONTROL CONSOLE PRINTED	13014119		•	•	•																	
1635 TRANSLUCENT SHUTTER/CONSOLE	13009790		•	•	•																	
1640 FUSE HOLDER + FUSE 6.3A	13016457		•	•	•																	
1645 FUSE 5X20 T6,3A 250V	3333550051		•	•	•																	
1650 LUM. PUSH BUTTON (GREEN) ON/OFF	13014010		•	•	•																	
1651 DOUBLE SWITCH 2 POS.	13009801		•	•	•																	
1652 DOUBLE SWITCH 2 POS.	13009801		•	•	•																	
1653 DOUBLE SWITCH 2 POS.	13009801		•	•	•																	
1670 CABLE MOTOR+PLUG 3P 90° 3X0,75 L1700	13016481		•	•	•																	
1680 CABLE MOTOR+PLUG WIE. 4P 4X1,5 L560	65301000		•	•	•																	
1700 ACTUATOR SQM 50.481 A1	65300749	110V			•																	
ACTUATOR SQM 50.481 A2	13014677		•	•																		
1710 WHU RELAY	13009080		•	•																		
1720 RELAY FIN 4RT 55.34.8.230.0040	64211221		•	•																		
1725 FINDER RELAY BASE 55.34	13009796		•	•																		
1730 RELAY + CLIP	13017721		•	•																		
1735 FINDER RELAY SUPPORT 95.05	13017720		•	•																		
1740 TIMER	13010452		•	•																		
1821 GREEN INDICATOR LIGHT	13011764		•	•																		

CB-VGL06DP-TC

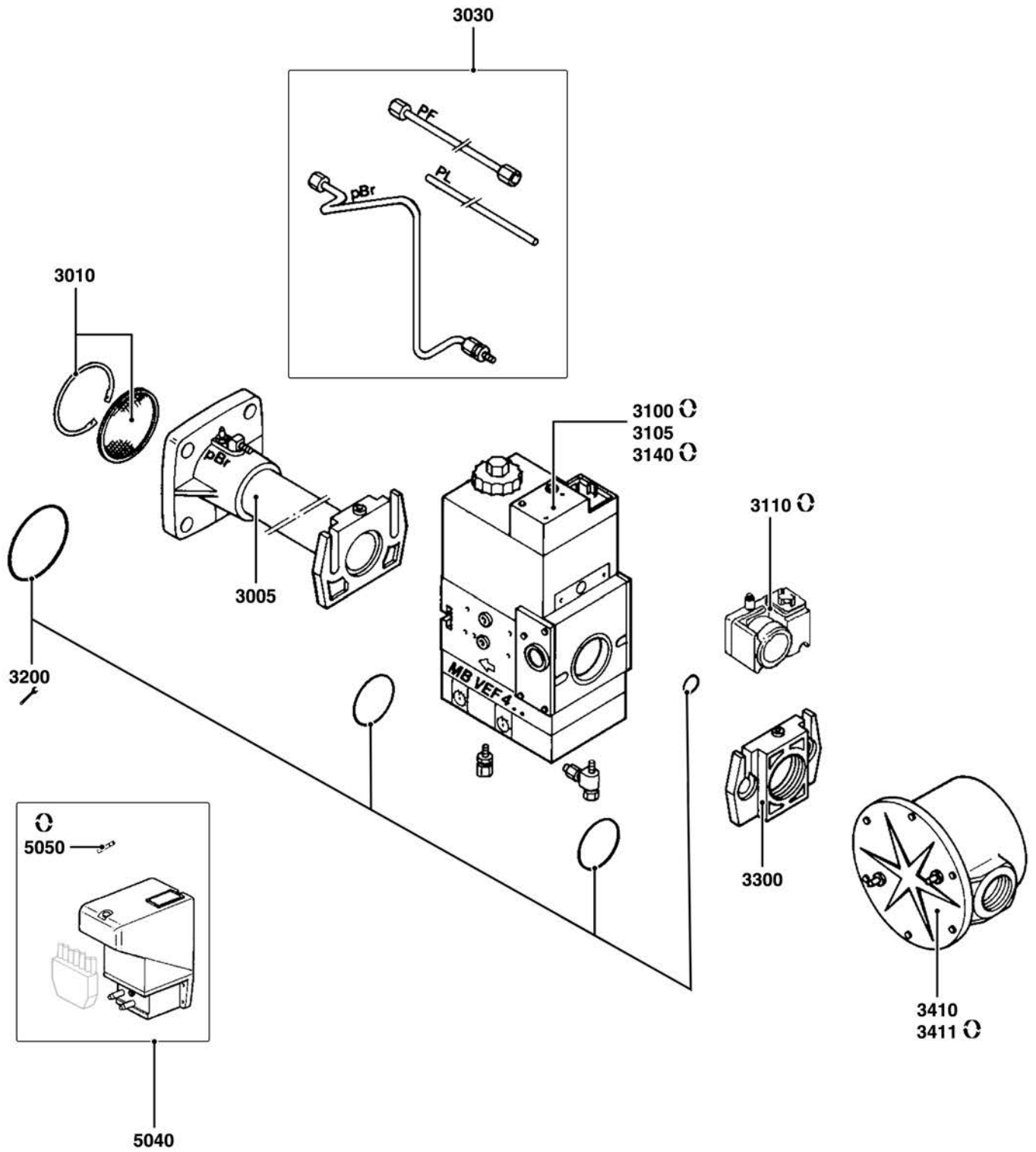
Dual-Fuel burner



☉⇒	Description	Manf. Pt. N	Type	<div style="display: flex; flex-direction: column; align-items: center;"> <div style="display: flex; justify-content: space-between; width: 100%; font-size: 8px;"> BB-VGL 08-1600 DP/TC BB-VGL 08-2100 DP/TC BB-VGL 08-2100 DP M00-80HZ CH-D731 - T1/KN CH-D731 - T2/KL CH-D731 - T3/KM CH-D732 - T1/KN CH-D732 - T2/KL CH-D732 - T3/KM GT-831 - 1"14 - R92 GT-832 - 1"12 - R92 GT-831 - 2" - R92 GT-832 - 2" - R92 GT-833 - 65 - DN65 GT-833 - 80 - DN80 </div> <div style="border: 1px solid black; padding: 2px; margin-top: 5px;">31</div> </div>																		From	to
				1	2	3	4	5	6	7	8	9	10	11	12	13	14	15	16	17	18		
2000	COMBUSTION HEAD																						
2020	BAFFLE PLATE D155/50 8SL R 7DRIL.	13009712								●	●	●											
	BAFFLE PLATE D168/50 8SL 6DRIL.	13018284					●	●	●														
2040	ELECTROD.BLOC.27X55 d6,4 D2X23 45°+SCREW	13009726					●	●	●	●	●	●											
2041	ELECTRODE SUPPORT	13010050					●	●	●	●	●	●											
2046	WASHER HEAD SCREW M4/ELECTRODES BLOCK	13010049					●	●	●	●	●	●											
2047	FLANGE 20X11X2,6 FIX. ELECTRODE	13009725					●	●	●	●	●	●											
2070	IGNITION CABLE D6,35/D6,35 L950 X2 HEAD	13009727					●	●	●	●	●	●											
2071	ROUND CONNECTOR CABLE ALU.ION X2	13010056					●	●	●	●	●	●											
2100	COMBUSTION COMPONENTS T1/KN	13018945					●			●													
	COMBUSTION COMPONENTS T2/KL	13018946						●			●												
	COMBUSTION COMPONENTS T3/KM	13018947							●			●											
2101	NOZZLE LINE/SUPPORT L526	13014682					●			●													
	NOZZLE LINE/SUPPORT L626	13014684							●			●											
	NOZZLE LINE/SUPPORT L726	13014683						●				●											
2102	O-RING D6X2	13009812					●	●	●	●	●	●											
2120	GAS ELBOW + TUBE T1/KN	13009732					●			●													
	GAS ELBOW + TUBE T2/KL	13009733						●			●												
	GAS ELBOW + TUBE T3/KM	13009734							●			●											
2125	O-RING D75X4	13009731					●	●	●	●	●	●											
2140	FLAME TUBE D227/160/205L343TURBU.D171	13009716								●													
	FLAME TUBE D227/160/205L443TURBU.D171	13009718										●											
	FLAME TUBE D227/160/205L543TURBU.D171	13009717											●										
	FLAME TUBE D227/172/190L343TURBU.D171	13009713					●																
	FLAME TUBE D227/172/190L443TURBU.D171	13009715							●														
	FLAME TUBE D227/172/190L543TURBU.D171	13009714						●															
2145	PRESSURE TAP R1/8	13009722					●	●	●	●	●	●											
2146	STRAIGHT UNION	13009721					●	●	●	●	●	●											
2147	CLOSURE PLATE.RTC EQ. H-G	13009816					●	●	●	●	●	●											
2148	NOZZLE LINE COVER H-B	13009817					●	●	●	●	●	●											
2150	GASKET/BURNER FLANGE 335X326X3 D250	13009719					●	●	●	●	●	●											
2170	BURNER TUBE SCREW FIX. KIT (X3)	13009723					●	●	●	●	●	●											
2500	OIL DISTRIBUTOR 3 STAGES	13009811					●	●	●	●	●	●											
2510	LUC ELECTRO VALVE 121F63 2/2NF9W	13009813					●	●	●	●	●	●											
2520	COIL PAR 32MM 115V 14W	65300750	110V							●													
	LUCIFER COIL 9W	13009814					●	●	●	●	●	●											
2600	SPINDLE/HINGE BODY-HEAD D12X210+D12X83	13009724					●	●	●	●	●	●											
2710	NATURAL GAS ACCESS. KIT	13010048					●	●	●	●	●	●											
2711	PROPANE ACCESS. KIT	13007041					●	●	●	●	●	●											
2712	SHUTTER/NOZZLE	13010046					●	●	●	●	●	●											
2714	NOZZLES	13009729					●	●	●	●	●	●											
2717	NOZZLE SUP. ELECTRODE	13014073					●	●	●	●	●	●											
2718	IGNITION NOZZLE	13014075					●	●	●	●	●	●											
2785	STAR GAS HEAD	13018948					●	●	●	●	●	●											

CB-VGL06DP-TC

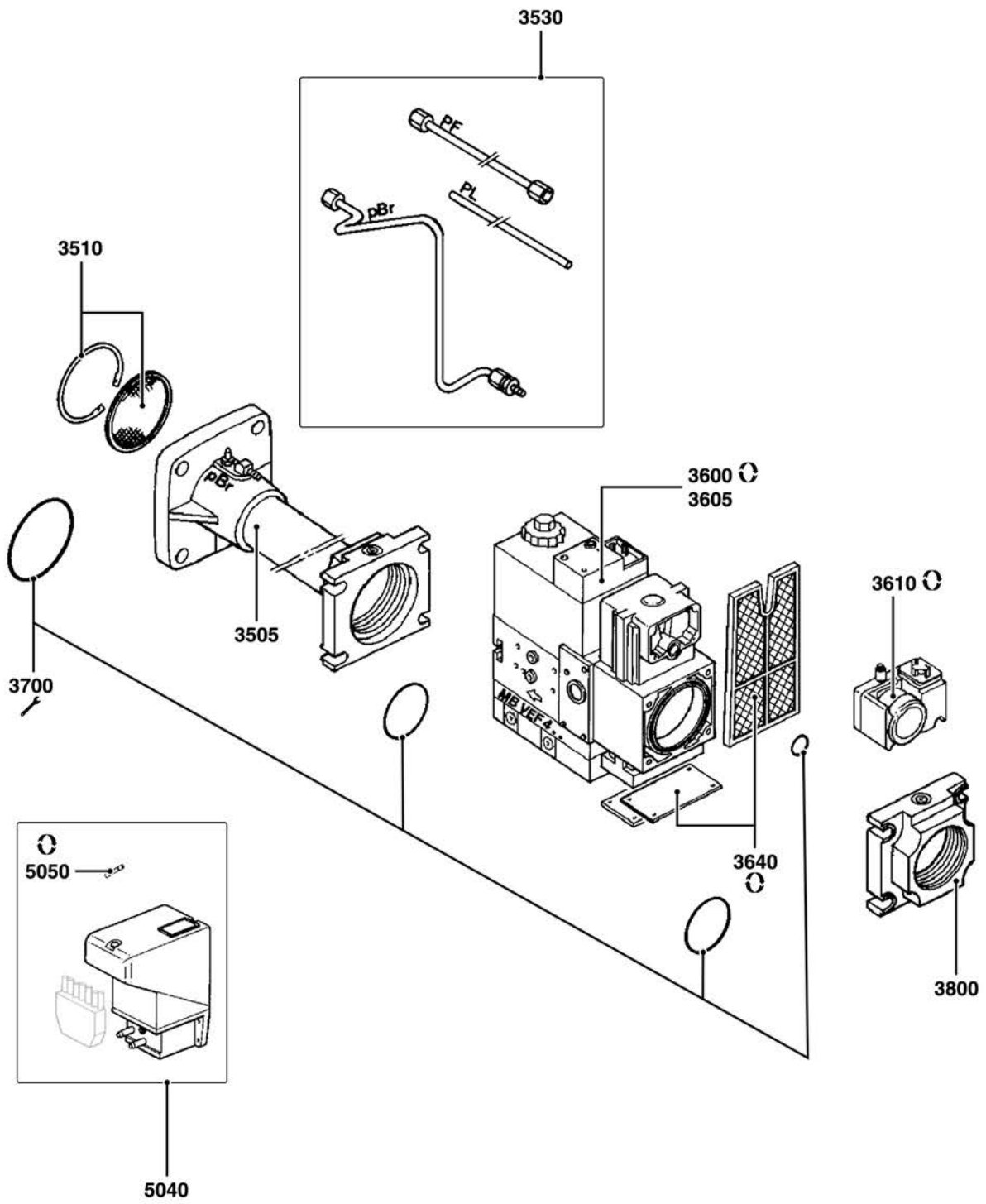
Dual-Fuel burner



☉⇒	Description	Manf. Pt. N	Type	<div style="text-align: right; border: 1px solid black; padding: 2px; font-size: 8px;"> BB-VGL 08-1800 DP/TC BB-VGL 08-2100 DP/TC BB-VGL 08-2100 DP/TC CH-D731-T1/KN CH-D731-T2/KL CH-D731-T3/KM CH-D732-T1/KN CH-D732-T2/KL CH-D732-T3/KM GT-031-1"14-R92 GT-032-1"12-R92 GT-0330-1"12-R92 GT-0349-1"12-R92 GT-031-2" -R92 GT-032-2" -R92 GT-033-65-DIN65 GT-033-80-DIN80 </div>																		From	to
				1	2	3	4	5	6	7	8	9	10	11	12	13	14	15	16	17	18		
3000	GAS TRAIN																						
3005	COLLECTOR MOUNT RP 1"1/4	13014122																					
3010	STABILISER + CIRCLIP D.60	13011367																					
3030	TUBES P AIR+COMBUSTION/R+L	13014125																					
3100	GAS VALVE MBVEF412 B01 S30 PL=0.3-PF=1.2	13011720																					
3105	DUN COIL No. 1205 MBVEF412	13010084																					
3110	GAS PRESS.SWITCH GW 150 A5 30-150MB DIN	13010078																					
3140	FILTERING ELEMENT /MB...410/412	13016012																					
3200	GASKET KIT MBVEF 407/412	13011366																					
3300	FLANGE MB410/412 RP1 1/4	13010085																					
3410	EXTERNAL GAS FILTER RP2	13009700																					
3411	FILT. ELEMENT RP2 + GASKET	13010044																					
5040	GAS TIGHTNESS CONTROLLER DUNGS VPS504	13001778																					
5050	FUSE 5X20 T6,3A 250V	3333550051																					

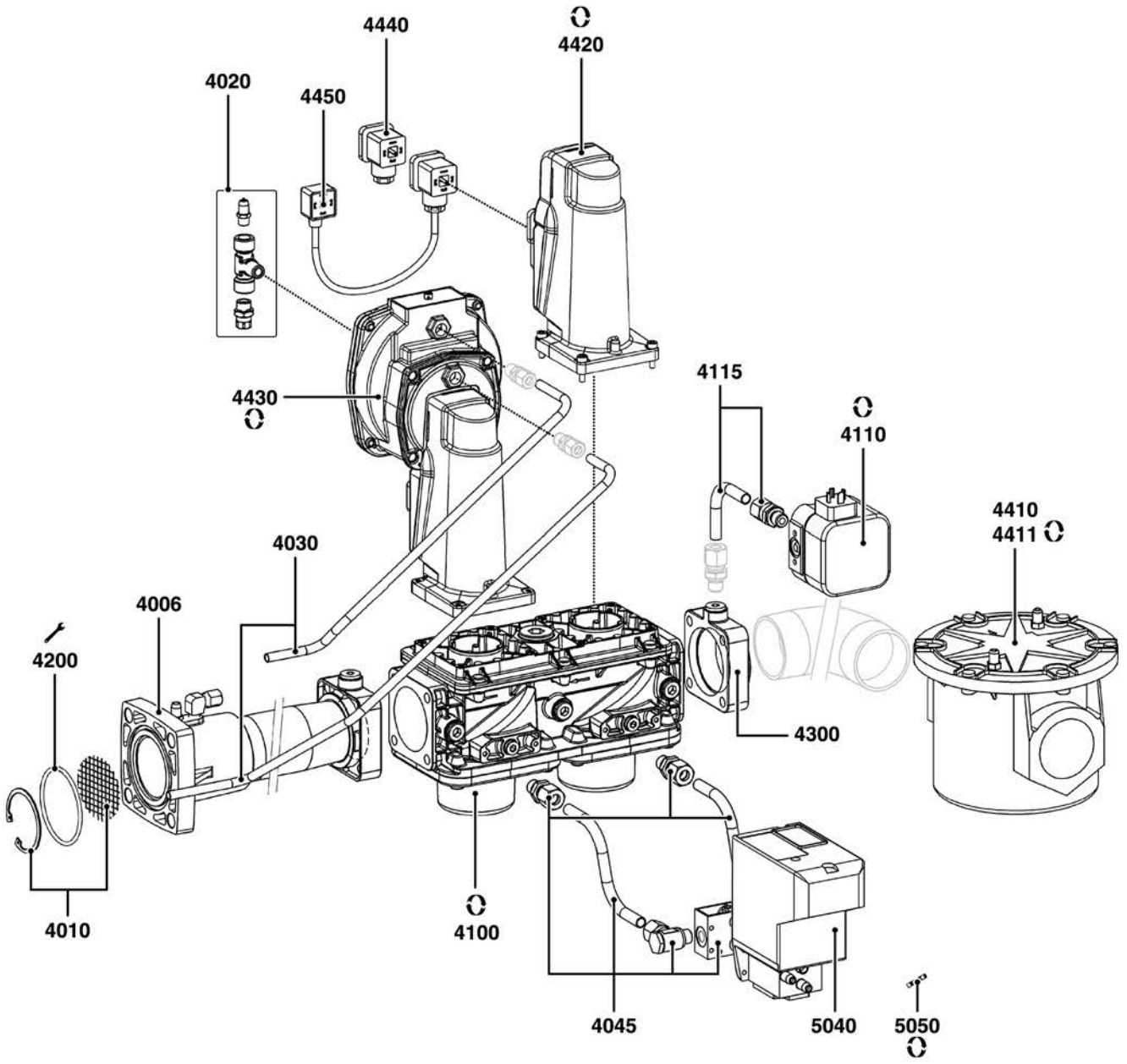
CB-VGL06DP-TC

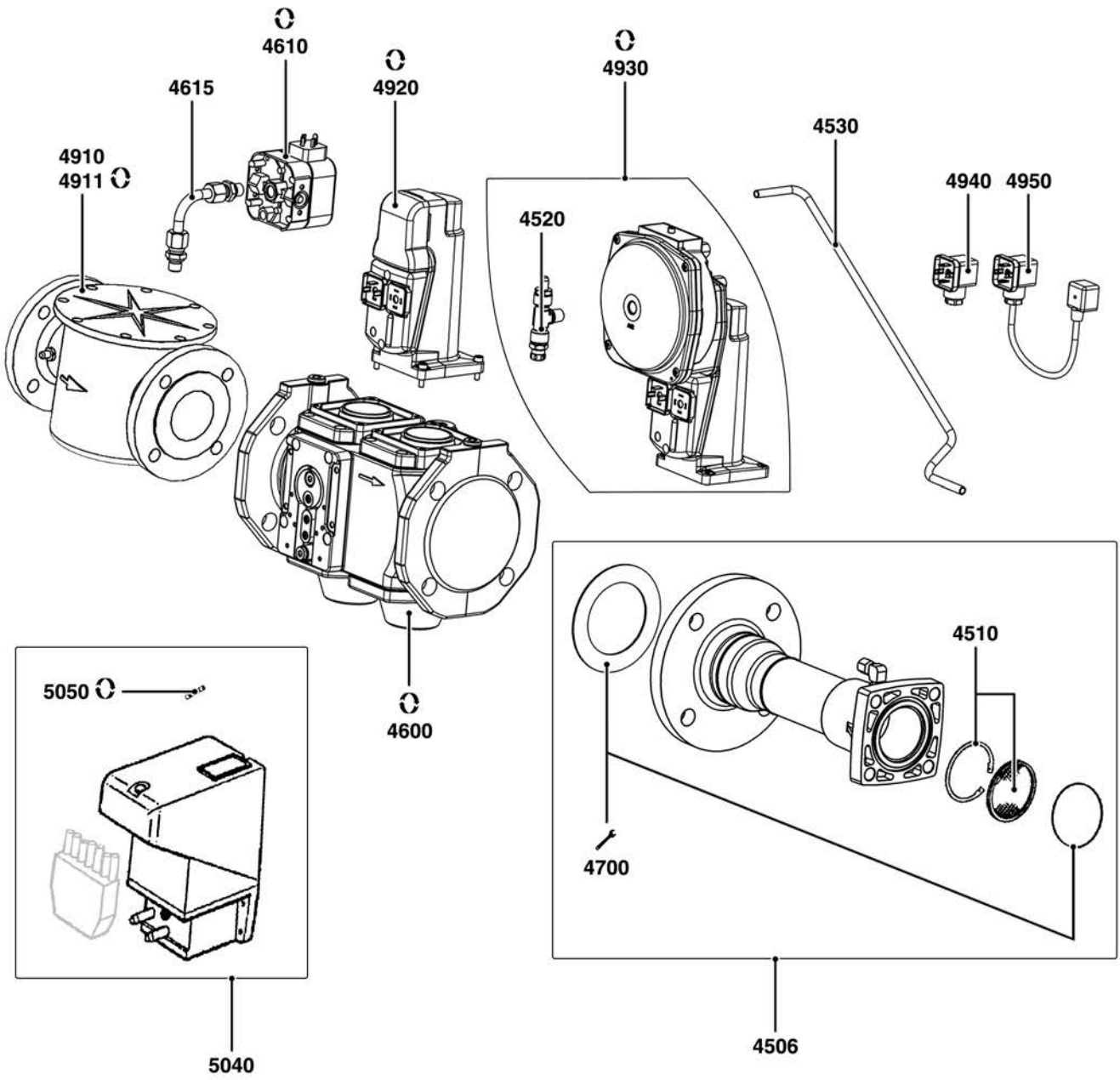
Dual-Fuel burner



☰	Description	Manf. Pt. N	Type	 BB-VGL-08-1800-DP-TC BB-VGL-08-2100-DP-TC BB-VGL-08-2100-DP-100-60HZ CH-D731-T1/KN CH-D731-T2/KL CH-D731-T3/KM CH-D732-T1/KN CH-D732-T2/KL CH-D732-T3/KM GT-831-1-T114-R92 GT-832-1-T112-R92 GT-830-1-T112-R92 GT-831-2-T112-R92 GT-831-2-R92 GT-832-65-DIN65 GT-833-80-DIN80 																		From	to			
				1	2	3	4	5	6	7	8	9	10	11	12	13	14	15	16	17	18					
3500	GAS TRAIN																									
3505	COLLECTOR MOUNT RP 2	13014123																					•			
	COLLECTOR MOUNT RP 2	13014128									•	•														
3510	STABILISER + CIRCLIP D.60	13011367									•	•	•													
3530	TUBES P AIR+COMBUSTION/R+L	13014126																				•				
	TUBES P AIR+COMBUSTION/R+L	13014129									•	•														
3600	GAS VALVE MBVEF420 B01 S10 RP2"+FP	13011725									•	•														
	GAS VALVE MBVEF425 B01 S10 RP2" GW150	13021114																				•				
3605	COIL DUN No. 1415 MBVEF425 S30	13020727																				•				
	DUN COIL No. 1215 MBVEF420	13011726									•	•														
3610	GAS PRESS.SWITCH GW 150 A5 30-150MB DIN	13010078									•	•	•													
3640	FILTERING ELEMENT /MB...420	13007901									•	•														
	SCREEN DUNGS/MB VEF 425	13014127																				•				
3700	GASKET SET MB...420	65300671									•	•	•													
3800	FLANGE MB420 RP2 + PRES.PLUG	13007859									•	•														
	FLANGE MB425 RP2	13014124																				•				
5040	GAS TIGHTNESS CONTROLLER DUNGS VPS504	13001778									•	•	•													
5050	FUSE 5X20 T6,3A 250V	3333550051									•	•	•													

31





		BB-VGL 08-1600 DP/TC BB-VGL 08-2100 DP/TC BB-VGL 08-2100 DP 100/60HZ CH-D731-T1/KN CH-D731-T2/KL CH-D731-T3/KM CH-D732-T1/KN CH-D732-T2/KL CH-D732-T3/KM GT-631-1-1"14-R92" GT-632-1-1"12-R92" GT-6330-1"12-R92" GT-6349-2"R92" GT-831-2"-R92" GT-832-65-DN65 GT-833-80-DN80																					
☉⇒	Description	Manf. Pt. N	Type	1	2	3	4	5	6	7	8	9	10	11	12	13	14	15	16	17	18	From	to
4500	GAS TRAIN																						
4506	COLLECTOR DN65	13013784																		•			
	COLLECTOR DN80	13013785																				•	
4510	STABILISER + CIRCLIP D.60	13011367																		•	•		
4520	PRESSURE TAP	13014880																		•	•		
4530	TUBES P AIR+COMBUSTION/R+L SKP..5 DN65	13021112																		•			
	TUBES P AIR+COMBUSTION/VGD40 080 DN80	65300647																			•		
4600	GAS VALVE VGD40 065 DN65	65323661																		•			
	GAS VALVE VGD40 080 DN80	65311583																			•		
4610	GAS PRESS. SWITCH GW 50 A4 2.5-50MB DIN	13011736																		•	•		
4615	STEEL BEND TUBE	13014883																		•	•		
4700	GASKET KIT VGD40 DN65	13013781																		•			
	GASKET KIT VGD40 DN80	13013782																			•		
4910	EXTERNAL GAS FILTER DN65	13009703																		•			
	GAS FILTER DN80	13013787																			•		
4911	GAS FILTERING ELEMENT DN65 WITH GASKET	13009704																		•			
	GAS FILTERING ELEMENT DN80 WITH GASKET	13013788																			•		
4920	GAS SERVOM. SKP15.000E2 W/O LIMIT SW.	13020951																		•			
4930	GAS SERVOM. SKP75.003E2 W/O LIMIT SW.	13020950																		•			
4940	BRIDGE CONNECTOR AGA68	13022511																		•	•		
4950	CABLE CONNECT AGA 62 PLUG DIN L270	13020958																		•	•		
5040	GAS TIGHTNESS CONTROLLER DUNGS VPS504	13001778																		•	•		
5050	FUSE 5X20 T6,3A 250V	3333550051																		•	•		

D H G L : Ø L

Distributor in Russia "Teplopartner" LTD
Russia, Krasnodar city, Stasova street,184, office 4
Tel./fax.: 8 (861) 234 23 83, +7 (961) 854 41 24
www.gorelka-kotel.ru info@gorelka-kotel.ru