

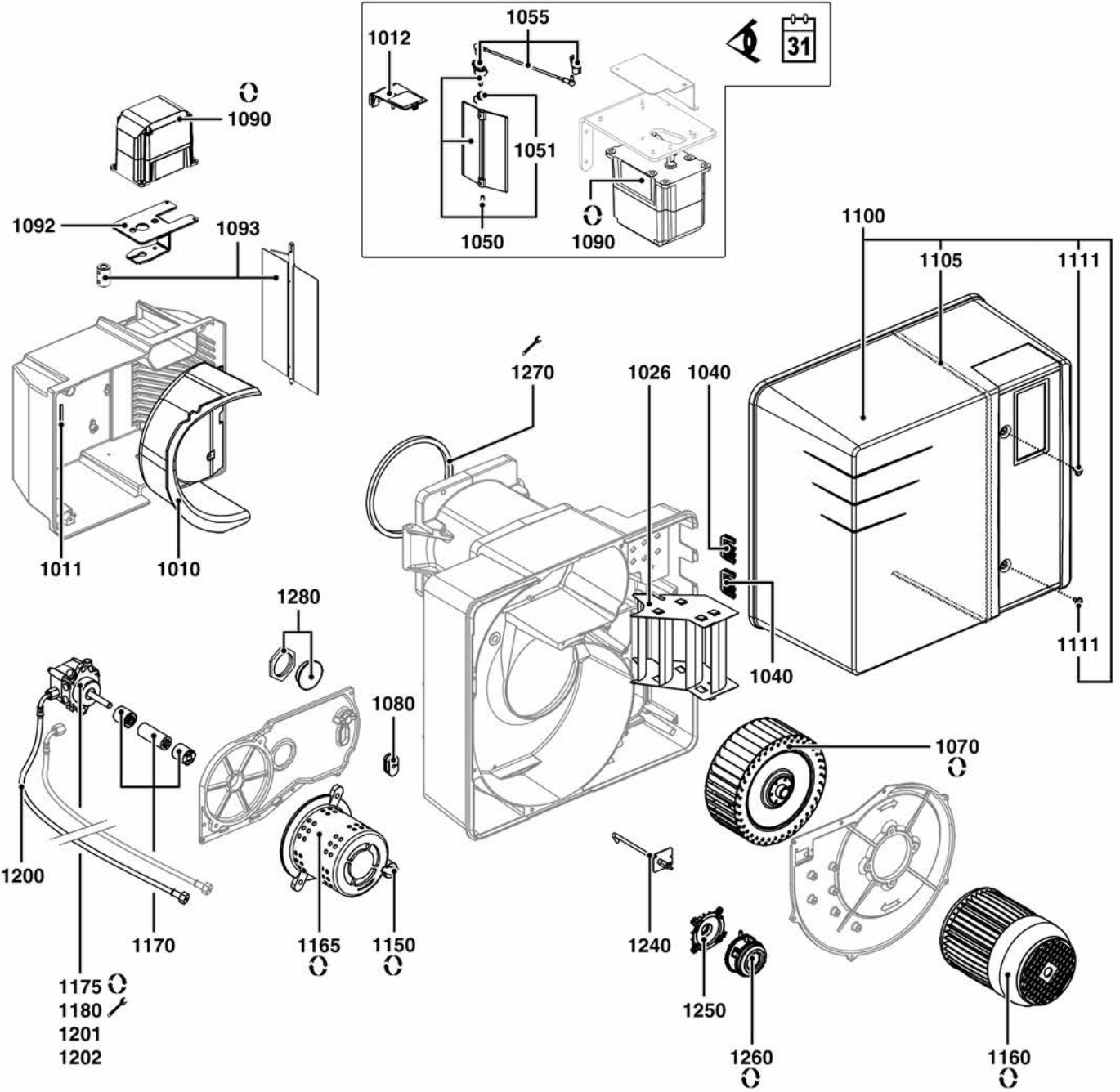
SPARE PARTS EXPLODED VIEW OIL BURNER

Model

CB-VL6DP

R8220112-02 - 25/09/2015

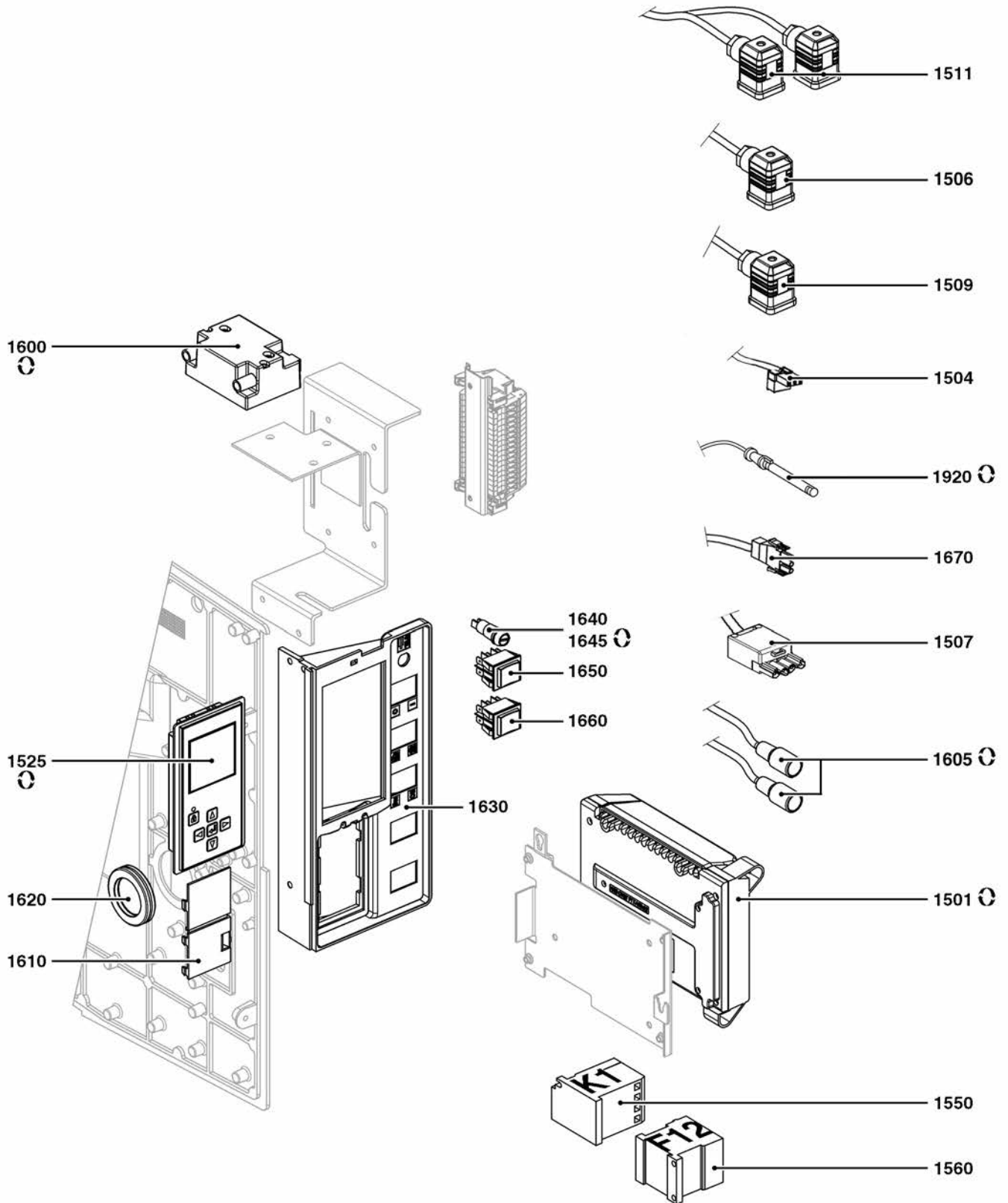
1	3833605	BB-VL6.1600 DP	09-2011	-
2	3833606	BB-VL6.2100 DP	09-2011	-
3	3833556	CH-O0732- T1/KN	03-2012	-
4	3833558	CH-O0732 - T2/KL	05-2011	-
5	3833560	CH-O736 - T3/KM	05-2011	-
6	3833557	CH-O0733 - T1/KN	09-2011	-
7	3833559	CH-O0733 - T2/KL	04-2012	-
8	3833561	CH-O0733 - T3/KM	04-2012	-
Col	Reference	Model type	Begin	End



☉⇒	Description	Manf. Pt. N	Type																					
				1	2	3	4	5	6	7	8	9	10	11	12	13	14	15	16	17	18	From	to	
1000	BURNER BODY																							
1010	AIR BOX INSULATION	13009641		•	•																			
1011	AIR BOX GASKET	13009640		•	•																			
1012	AIR BOX COVER	13009642		•	•																			05/15
1026	AIR RECTIFIER	13009748		•	•																			
1040	GROMMET/HOUSING	13016845		•	•																			
1050	AIR FLAP WITH FITTINGS	13014117		•	•																			05/15
1051	SPRING/AIR FLAP RED	13011507		•	•																			05/15
1055	COUPLING CPL.	65301070		•	•																			05/15
1070	FAN WHEEL D240X114 d24	13009736		•																				
	FAN WHEEL D250X114 d24	13009737		•	•																			
1080	CABLE GROMMET	13009648		•	•																			
1090	ACTUATOR STE 4,5 Q3.51/6 R 3NM	65301001		•	•																			
1092	SERVOMOTOR HOLDER	65326226		•	•																			06/15
1093	AIR FLAP CPL.	65326227		•	•																		06/15	
1100	HOOD VECTRON5 AND V6+MOUNTING SCREW	65301016		•	•																			
1105	GASKET STRIP/COVER	13009772		•	•																			
1111	FLAT HEAD SCREW M5X15	65300519		•	•																			
1150	CAPACITOR 12µF	13015715		•	•																			
1160	MOTOR 2.2KW230/400V D24+PLUG	13009739		•																				
	MOTOR 2.5KW230/400V D24+PLUG	13009740		•	•																			
1165	MOTOR 0.45KW230V D12.7 GMP	13009807		•	•																			
1170	MOTOR/PUMP COUPLING H-B	13009806		•	•																			
1175	FUEL OIL PUMP AJ6 CC 1004	13009802		•	•																			
1180	PUMP FILTER AJ6	13014194		•	•																			
1200	FUEL HOSE L 1.5M	13009815		•	•																			
1201	CONNECTOR/HOSE G1/4/M16X1,5	13014419		•	•																			
1202	CONNECTOR/HOSE G1/8/M14X1,5	13014676		•	•																			
1240	PRESSURE TAP	13009738		•	•																			
1250	AIR PRESSURE SWITCH BASE D32	13020723		•	•																			
1260	AIR PRESSURE SWITCH 604 1-10MBAR	65300991		•	•																			
1270	CASING GASKET	13010055		•	•																			
1280	INSPECTION GLASS	13010008		•	•																			

CB-VL6DP

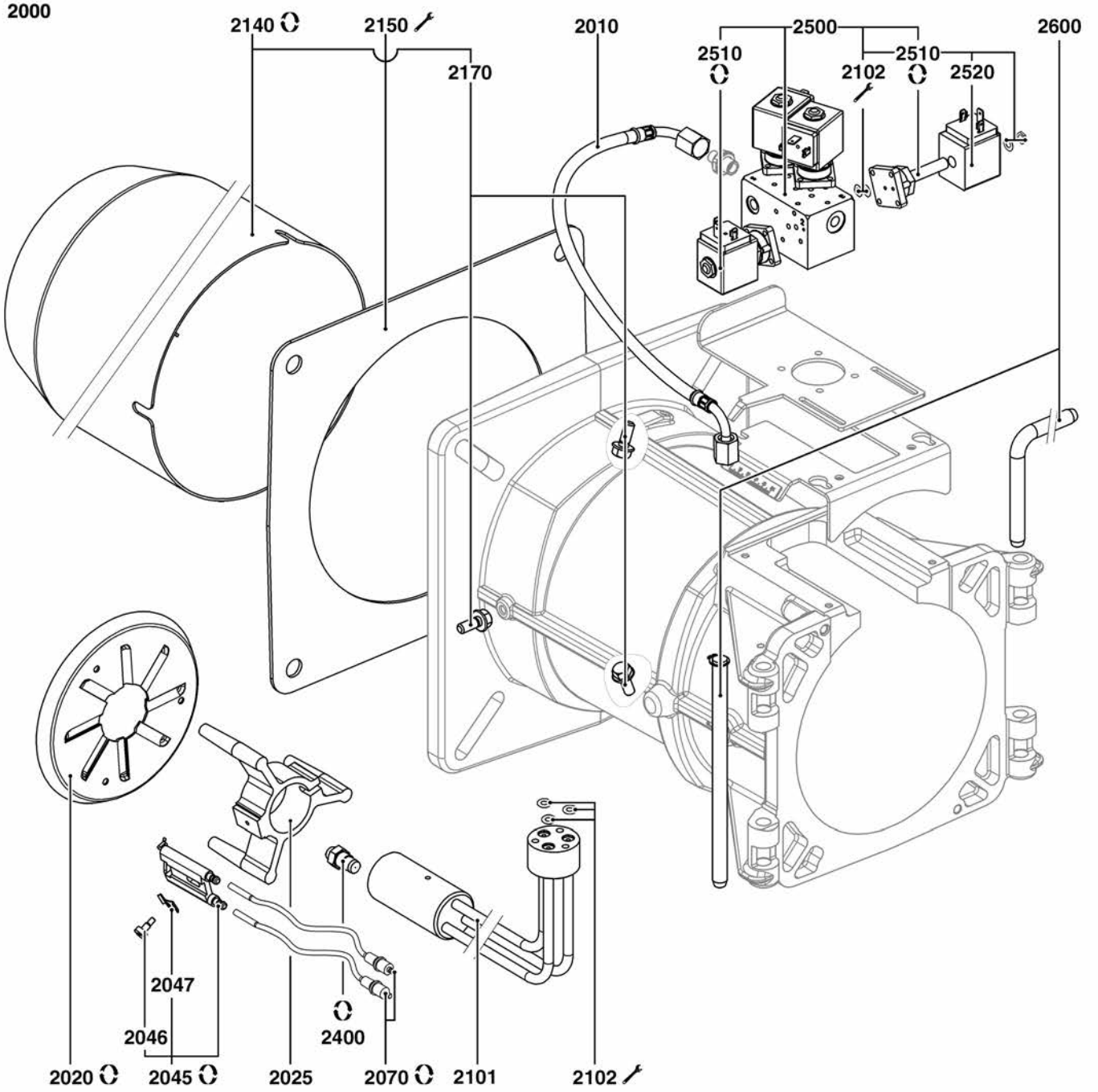
Oil burner



Description	Manf. Pt. N	Type	<div style="display: flex; justify-content: space-between; font-size: 8px;"> BB-1L6-1600 DP BB-1L6-2100 DP CH-00732- T1KN CH-00732- T2/KL CH-0736- T2/KL CH-00733- T1KN CH-00733- T2/KL CH-00733- T3/KM </div>																		<div style="border: 1px solid black; padding: 2px; display: inline-block;">31</div>	
			1	2	3	4	5	6	7	8	9	10	11	12	13	14	15	16	17	18	From	to
1500 ELECTRIC PART																						
1501 CONTROL UNIT TCH 311.00	65300879		•	•																		
1504 CABLE / IGNITER	65300997		•	•																		
1506 CABLE 2 STG OIL VALVE	65300995		•	•																		
1507 CABLE L560+PLUG 4P/MOTOR	65301000		•	•																		
1509 CABLE 3 STG OIL VALVE	65300996		•	•																		
1511 CABLE+CONN.VALVE 1.ST+SAFETY	65300994		•	•																		
1525 DISPLAY FOR CONTROL UNIT TCG-TCH REL.2.2	65301109		•	•																		
1550 CONTACTOR	13009778		•	•																		
1560 THERMAL RELAY LR2K 5.5-8.0A	13009746		•	•																		
1600 IGNITION TRANSFORMER EBI 2X7.5 230V	13009663		•	•																		
1605 IGNITION CABLE	13009743		•	•																		
1610 SHUTTER/CONSOLE	13009661		•	•																		
1620 CABLE GROMMET D54/D47/D36	65300993		•	•																		
1630 PLASTIC CONTROL BOARD	65300992		•	•																		
1640 FUSE HOLDER + FUSE 6.3A	13016457		•	•																		
1645 FUSE 5X20 6.3A	13016028		•	•																		
1650 OPERATING SWITCH ON/OFF	13010007		•	•																		
1660 OPERATING SWITCH - OPERATION	13014009		•	•																		
1670 CABLE / PUMP MOTOR	65300999		•	•																		
1920 PHOTOCCELL QRB1A LG.570+RAST5	65326516		•	•																		

CB-VL6DP

Oil burner






5000



Description	Manf. Pt. N	Type	<div style="display: flex; justify-content: space-between; align-items: center;"> <div style="text-align: center;"> BB-1L6-1600 DP BB-1L6-2100 DP CH-O0732- T1/KN CH-O0732- T2/KL CH-O0732- T3/MM CH-O0733- T1/KN CH-O0733- T2/KL CH-O0733- T3/KM </div> <div style="border: 1px solid black; padding: 2px;"> 31 </div> </div>																		From	to
			1	2	3	4	5	6	7	8	9	10	11	12	13	14	15	16	17	18		
2000 COMBUSTION HEAD																						
2010 HOSE M14X1.5X2 L1300	13009809					•	•	•	•	•	•											
2020 BAFFLE PLATE D155/50 8SL R 3DRIL.	13009752							•	•	•												
BAFFLE PLATE D168/50 8SL 3DRIL.	13022795					•	•	•														
2025 BAFFLE PLATE HOLDER	13009753					•	•	•	•	•	•											
2045 ELECTROD.BLOC.27X55 d6,4 D2X23 45°+SCREW	13009726					•	•	•	•	•	•											
2046 WASHER HEAD SCREW M4/ELECTRODES BLOCK	13010049					•	•	•	•	•	•											
2047 FLANGE 20X11X2,6 FIX. ELECTRODE	13009725					•	•	•	•	•	•											
2070 IGNITION CABLES L950	13009727					•	•	•	•	•	•											
2101 NOZZLE LINE 3 TUBES L526 T1/KN	13009757					•				•												
NOZZLE LINE 3 TUBES L626 T3/KM	13009759								•			•										
NOZZLE LINE 3 TUBES L726 T2/KL	13009758							•			•											
2102 ORM O-RING 0060-20	13009812					•	•	•	•	•	•											
2140 FLAME TUBE D227/160/190 L343	13009763								•													
FLAME TUBE D227/160/190 L443	13009765															•						
FLAME TUBE D227/160/190 L543	13009764														•							
FLAME TUBE D227/172/190 L343	13009760					•																
FLAME TUBE D227/172/190 L443	13009762								•													
FLAME TUBE D227/172/190 L543	13009761							•														
2150 GASKET/BOILER FRONT 326X335X3	13009719					•	•	•	•	•	•											
2170 BURNER TUBE SCREW FIX. KIT (X3)	13009723					•	•	•	•	•	•											
2400 NOZZLE DAN 6,50GPH 60° B	13016056					•	•	•														
NOZZLE DAN 8,50GPH 60° B	13016059								•	•	•											
2500 HYDRAUL.EQ. DISTRIBUTOR (3ST)	13009811					•	•	•	•	•	•											
2510 LUC ELECTRO VALVE 121F63 2/2NF9W	13009813					•	•	•	•	•	•											
2520 LUCIFER COIL 9W	13009814					•	•	•	•	•	•											
2600 HINGE KIT	13009724					•	•	•	•	•	•											
5000 ACCESSORY																						
5001 NOZZLE DAN 10,0GPH 45° B	13016039					•	•	•	•	•	•											
NOZZLE DAN 10,0GPH 60° B	13016049					•	•	•	•	•	•											
NOZZLE DAN 11,0GPH 45° B	13023430					•	•	•	•	•	•											
NOZZLE DAN 11,0GPH 60° B	13016050					•	•	•	•	•	•											
NOZZLE DAN 12,0GPH 60°B	65300688					•	•	•	•	•	•											
NOZZLE DAN 4,50GPH 45° B	13016042					•	•	•	•	•	•											
NOZZLE DAN 4,50GPH 60° B	13016053					•	•	•	•	•	•											
NOZZLE DAN 5,00GPH 45° B	13016044					•	•	•	•	•	•											
NOZZLE DAN 5,00GPH 60° B	65300630					•	•	•	•	•	•											
NOZZLE DAN 5,50GPH 45° B	13016043					•	•	•	•	•	•											
NOZZLE DAN 5,50GPH 60° B	13016054					•	•	•	•	•	•											
NOZZLE DAN 6,50GPH 45° B	13016045					•	•	•	•	•	•											
NOZZLE DAN 6,50GPH 60° B	13016056					•	•	•	•	•	•											
NOZZLE DAN 7,50GPH 45° B	13016047					•	•	•	•	•	•											
NOZZLE DAN 7,50GPH 60° B	13016058					•	•	•	•	•	•											
NOZZLE DAN 8,50GPH 45° B	13016048					•	•	•	•	•	•											
NOZZLE DAN 8,50GPH 60° B	13016059					•	•	•	•	•	•											

		DE NL	FR ES	IT	
1010	13009641	ISOLIERUNG LUFTKASTEN ISOLATIE LUCHTKAST	ISOLATION BOITE A AIR AISLAMIENTO CAJA DE AIRE	ISOLAMENTO SCATOLA DELL'ARIA	1
1011	13009640	DICHTUNG LUFTKASTEN DICHTING LUCHTKAST	JOINT BOITE A AIR JUNTA CAJA DE AIRE	GUARNIZIONE SCATOLA DELL'ARIA	1
1012	13009642	ABDECKUNG LUFTKASTEN DEKSEL LUCHTKAST	COUVERCLE BOITE A AIR TAPA CAJA DE AIRE	COPERCHIO SCATOLA DELL'ARIA	1
1026	13009748	LUFTGLEICHRICHTER LUCHTRECICLAGE	REDRESSEUR D'AIR RECTIFICADOR DE AIRE	RADDRIZZATORE D'ARIA	1
1040	13016845	KABELDURCHFUEHRUNG/GEHAEUSE DRAADDOORVOER/BRANDERHUIS	PASSE FIL/CARTER PASACABLES/CÁRTER	PASSAFILO/ CARTER	1
1050	13014117	AUSGERÜSTETE LUFTKLAPPE VOLLEDIGE LUCHTKLEP	VOLET D'AIR EQUIPE REJILLA DE AIRE EQUIPADA	SERRANDA DELL'ARIA EQUIPAGGIATA	1
1051	13011507	FEDER/LUFTKLAPPE ROT VEER/LUCHTKLEP ROOD	RESSORT SPIR.PLAT ROUGE MUELLE/VÁLVULA DE AIRE ROJO	MOLLA/SERRANDA DELL'ARIA ROSSO	1
1055	65301070	UEBERTRAGUNGSTANGE BG+WINKELGELENK COMPLETE KOPPELING	ACCOUPLLEMENT EQUIPE ACOPLAMIENTO EQUIPADO	ACCOPPIAMENTO EQUIPAGGIATO	1
1070	13009736	LÜFTERRAD D240X114 d24 VENTILATOR D240X114 d24	TURBINE D240X114 d24 TURBINA D240X114 d24	TURBINA D240X114 d24	1
	13009737	LÜFTERRAD D250X114 d24 VENTILATOR D250X114 d24	TURBINE D250X114 d24 TURBINA D250X114 d24	TURBINA D250X114 d24	1
1080	13009648	KABELDURCHFÜHRUNG DRAADGELEIDER	PASSE FIL PASACABLES	PASSA FILO	1
1090	65301001	STELLANTRIEB STE 4,5 Q3.51/6 R 3NM SERVOMOTOR STE 4,5 BO37/6	SERVOMOTEUR STE 4,5 Q3.51/6 R 3NM SERVOMOTOR STE 4,5 BO37/6	SERVOMOTORE STE 4,5 Q3.51/6 R 3NM	1
1092	65326226	STELLANTRIEBHALTER STEUN REGELMOTOR	SUPPORT SERVOMOTEUR SOPORTE SERVOMOTOR	SUPPORTO SERVOMOTORE	1
1093	65326227	KOMPL. LUFTKLAPPE COMPLETE LUCHTKLEP	VOLET D'AIR EQUIPE VÁLVULA DE AIRE EQUIPADA	SERRANDA DELL'ARIA EQUIPAGGIATA	1
1100	65301016	BRENNERHAUBE VECTRON5 U. V6 KPL. COMPLETE KAP VECTRON5 EN V6	CAPOT VECTRON5 ET V6+VIS CUBIERTA VECTRON5 Y V6 EQUIPADA	COFANO V5 E V6 EQUIPAGGIATO	1
1105	13009772	DICHTBAND / HAUBE DICHTINGSSTRIP / BRANDERKAP	BANDE D'ETANCHEITE / CAPOT BANDA ESTANQUEIDAD / CUBIERTA	NASTRO SIGILLANTE/ COPERTURA	1
1111	65300519	FLACHKOPFSCHRAUBE M5X15 PLATKOPFSCHROEF M5X15	VIS A TETE PLATE M5X15 TORNILLO DE CABEZA PLANA M5X15	VITE A TESTA PIANA M5X15	1
1150	13015715	KONDENSATOR 12µF CONDENSATOR 12µF	CONDENSATEUR 12µF CONDENSADOR 12µF	CONDENSATORE 12µF	1
1160	13009739	MOTOR 2,2KW230/400V D24+STECKER MOTOR 2,2KW230/400V D24+STECKER	MOTEUR 2,2KW230/400V D24+PRISE MOTOR 2,2KW230/400V D24+TOMA	MOTORE 2,2KW230/400V D24+PRESA	1
	13009740	MOTOR 2,5KW230/400V D24+STECKER MOTOR 2,5KW230/400V D24+STECKER	MOTEUR 2,5KW230/400V D24+PRISE MOTOR 2,5KW230/400V D24+TOMA	MOTORE 2,5KW230/400V D24+PRESA	1
1165	13009807	MOTOR 0,45KW230V D12,7 GMP MOTOR 0,45KW230V D12,7 GMP	MOTEUR 0,45KW230V D12,7 GMP MOTOR 0,45KW230V D12,7 GMP	MOTORE 0,45KW230V D12,7 GMP	1
1170	13009806	KUPPLUNG PUMPE/MOTOR H-B KOPPELING POMP/MOTOR H-B	ACCOUPLLEMENT POMPE/MOTEUR H-B ACOPLAMIENTO BOMBA/MOTOR H-B	ACCOPPIAMENTO POMPA/MOTORE H-B	1
1175	13009802	ÖLPUMPE AJ6 CC 1004 STOOKOLIEPOMP AJ6 CC 1004	POMPE FIOUL AJ6 CC 1004 BOMBA FUEL AJ6 CC 1004	POMPA GASOLIO AJ6 CC 1004	1
1180	13014194	PUMPENFILTER AJ6 FILTER POMP AJ6	FILTRE POMPE AJ6 FILTRO BOMBA AJ6	FILTRO POMPA AJ6	1
1200	13009815	ÖLSCHLAUCH L 1.5M SLANG STOOKOLIE L 1,5M	FLEXIBLE FIOUL L 1.5M MANGUERA FUEL L 1.5M	TUBO FLESSIBILE GASOLIO L 1.5M	1
1201	13014419	ANSCHLUSS/SCHLAUCH G1/4/M16X1,5 VERBINDING/SLANG G1/4/M16x1,5	RACCORD/FLEXIBLE G1/4/M16X1,5 EMPALME/MANGUERA G1/4/M16X1,5	RACCORDO/TUBO FLESSIBILE G1/4/M16X1,5	1
1202	13014676	ANSCHLUSS/SCHLAUCH G1/8/M14X1,5 VERBINDING/SLANG G1/8/M14x1,5	RACCORD/FLEXIBLE G1/8/M14X1,5 EMPALME/MANGUERA G1/8/M14X1,5	RACCORDO/TUBO FLESSIBILE G1/8/M14X1,5	1
1240	13009738	DRUCKANSCHLUSS DRUKAANSLUITING	PRISE DE PRESSION TOMA DE PRESIÓN	PRESA DI PRESSIONE	1
1250	13020723	HALTER LUFTDRUCKWAECHTER D32 STEUN MANOSTAAT HUBA D32	SUPPORT MANOSTAT AIR D32 SOPORTE DEL MANOSTATO DE AIRE D32	SUPPORTO PRESSOSTATO DELL'ARIA D32	1
1260	65300991	LUFTDRUCKWAECHTER HUBA 604 1-10MBAR LUCHTDRIKBEWAKER HUBA 604 1-10MBAR	MANOSTAT HUBA 604 1-10MBAR PRESSOSTATO AIRE HUBA 604 1-10MBAR	MANOSTATO HUBA 604 1-10MBAR	1
1270	13010055	GEHÄUSEDICHTUNG DICHTING CARTER	JOINT CARTER JUNTA CÁRTER	GUARNIZIONE CARTER	1
1280	13010008	SCHAUGLAS KIJKGLAS	VERRE DE REGARD VISOR	VISORE DI CALDAIA	1
1501	65300879	FEUERUNGSAUTOMAT TCH 311.00 BRANDERAUTOMAAT TCH 311.00	COFFRET TCH 311.00 PROGRAMADOR TCH 311.00	APPARECCHIATURA TCH 311.00	1
1504	65300997	KABEL M.STECKER ZUENDTRAFO KABEL + STEKKER / ONTSTEKER	CABLE ALLUMEUR CABLE+TOMA/ENCENDEDOR	CAVO TRASFORMATORE ACCENS.	1
1506	65300995	KABEL F.MAGNETVENTIL ST.2 KABEL OLIEKLEP 2° TRAP	CABLE VANNE FIOUL 2ALL CABLE EQ./VÁLVULA GASÓLEO 2º ETAPA	CAVO VALVOLA GASOLIO 2	1
1507	65301000	KABEL L560+STECKER 4P/MOTOR KABEL L560+STEKKER 4P/MOTOR	CABLE L560+PRISE 4P/MOTEUR CABLE L560+TOMA 4P/MOTOR	CAVO LUNGH. 560MM + PRESA 4 POLI/MOTORE	1

	XXXXXXXX	DE	FR	IT	X
		NL	ES		
1509	65300996	KABEL F.MAGNETVENTIL ST.3 KABEL OLIEKLEP 3" TRAP	CABLE VANNE FIOUL 3ALL CABLE EQ./VÁLVULA GASÓLEO 3ª ETAPA	CAVO VALVOLA GASOLIO 3	1
1511	65300994	KABEL F.MAGNETVENTIL ST.1 U.SV KABEL E-KLEP 1"TRAP+VEILIGHEID	CABLE VANNE FIOUL 1.ALL+ SECU. CABLE VÁLVULA GASÓLEO 1ª ET+ SEG.	CAVO EL-VALV.GASOLIO 1+VALV.SIC.	1
1525	65301109	ANZEIGE FUR AUTOMAT. TCG-TCH REL.2.2 DISPLAY V. BRANDERAUTOM.TCG-TCH REL.2.2	AFFICHEUR POUR COFFRET TCG-TCH REL. 2.2 PANTALLA P. PROGRAMAD. TCG-TCH REL.2.2	DISPLAY PER APPARECCHIA.TCG-TCH REL.2.2	1
1550	13009778	SCHALTSCHÜTZ SCHAKELAAR	CONTACTEUR CONTACTOR	CONTATTORE	1
1560	13009746	MOTORSCHUTZRELAIS LR2K 5.5-8.0A THERMISCH RELAIS LR2K 5,5-8,0A	RELAIS THERMIQUE LR2K 5.5-8.0A RELÉ TÉRMICO LR2K 5.5-8.0A	RELÈ TERMICO LR2K 5.5-8.0A	1
1600	13009663	ZUENDTRAF0 EBI 2X7,5 230V ONTSTEKINGSTRAFO EBI 2X7,5 230V	ALLUMEUR EBI 2X7,5 230V ENCENDEDOR EBI 2X7,5 230V	TRASFORMATORE ACCENSIONE EBI 2X7,5 230V	1
1605	13009743	ZÜNDKABEL ONTSTEKINGSKABEL	CABLE ALLUMAGE CABLE ENCENDIDO	CAVO ACCENSIONE	1
1610	13009661	VERSCHLUSS / BEDIENFELD AFSLUITER / BEDIENINGSPANEEL	OBTURATEUR / PUPITRE OBTURADOR / TABLERO	OTTURATORE / QUADRO	1
1620	65300993	KABELDURCHFUEHRUNG D54/D47/D36 DRAADDOORVOER D54/D47/D36	PASSE FIL D54/D47/D36 PASACABLE D54/D47/D36	PASSA FILO D54/D47/D36	1
1630	65300992	BEDIENFELD KUNSTSTOFF PLASTIC BEDIENINGSPANEEL	PUPITRE DE COMMANDE PLASTIQUE PUPITRE DE MANDO PLÁSTICO	QUADRO DI COMANDO PLASTICO	1
1640	13016457	SICHERUNGHALTER+SICHERUNG 6.3A ZEKERINGHOUDER+ZEKERING 6,3A	PORTE FUSIBLE+FUSIBLE 6.3A PORTA FUSIBLE+FUSIBLE 6.3A	PORTAFUSIBILE + FUSIBILE 6.3A	1
1645	13016028	FEINSICHERUNG 5X20 6,3 A (TRAEGE) ZEKERING 5X20 6.3A	FUSIBLE 5X20 6.3A (CALIBRE) FUSIBLE 5X20 6.3A	FUSIBILE 5X20 6.3A	1
1650	13010007	SCHALTER EIN/AUS SCHAKELAAR ON/OFF	INTERRUPTEUR MARCHE/ARRET INTERRUPTOR	INTERRUTTORE ON/OFF	1
1660	13014009	BETRIEBSSCHALTER SCHAKELAAR - BEDRIJF	INTERRUPTEUR - FONCTIONNEMENT INTERRUPTOR	INTERRUTTORE - FUNZIONAMENTO	1
1670	65300999	KABEL M.STECKER PUMPENMOTOR KABEL + STEKKER / POMP MOTOR	CABLE GRP. MOTOPOMPE CABLE / BOMBA MOTOR	CAVO GRP. MOTOPOMPA	1
1920	65326516	FOTOZELLE QRB1A LG.570+RAST5 FOTOCEL QRB1A LG.570+RAST5	CELLULE QRB1A LG.570+RAST5 CELULA QRB1A LG.570+RAST5	FOTOCCELLULA QRB1A LG.570+RAST5	1
2010	13009809	SCHLAUCH M14X1,5X2 L1300 SLANG M14X1,5X2 L1300	FLEXIBLE M14X1,5X2 L1300 MANGUERA M14X1,5X2 L1300	TUBO FLESSIBILE M14X1,5X2 L1300	1
2020	13009752	STAUSCHEIBE D155/50 8SL R 3DRIL. STUWPLAAT D155/50 8SL R 3DRIL.	DEFLECTEUR D155/50 8SL R 3DRIL. DEFLECTOR D155/50 8SL R 3DRIL.	DIFFUSORE D155/50 8SL R 3DRIL.	1
	13022795	STAUSCHEIBE D168/50 8SL 3DRIL. STUWPLAAT D168/50 8SL 3DRIL.	DEFLECTEUR D168/50 8SL 3DRIL. DEFLECTOR D168/50 8SL 3DRIL.	DIFFUSORE D168/50 8SL 3DRIL.	1
2025	13009753	STAUSCHEIBENHALTER STEUN VLAMMENHAKER	SUPPORT DEFLECTEUR SOPORTE DEFLECTOR	SUPPORTO DEFLETTORE	1
2045	13009726	ZUENDELEKTROD.27X55 d6,4D2X23 45° +SCHR. ELEKTRODENBLOK 27X55 d6,4D2X23 45°+SCHR.	BLOC-ELECTRODES 27X55 d6,4D2X23 45° +VIS BLOQ.ELECTRO.27X55 d6,4D2X23 45°+TORNIL.	BLOC.ELETTRODI 27X55 d6,4D2X23 45° +VITE	1
2046	13010049	ANSATZSCHRAUBE M4/ELEKTRODENBLOK KRAAGSCHROEF M4/ELEKTRODEBLOK	VIS EPAULEE M4/BLOC-ELECTRODES TORN.ALLEN M4/BLOQUE-ELECTRODOS	VITE CON SPALLAMENTO M4/BLOCCO ELETTRODI	1
2047	13009725	FLANSCH 20X11X2,6 FIX. ZUENDELEKTRODE FLENS 20X11X2,6 FIX. ONTSTEKINGSPEN	BRIDE 20X11X2,6 FIX. ELECTRODE BRIDA 20X11X2,6 FIX. ELECTRODO	FLANGIA 20X11X2,6 FIX. ELETTRODO	1
2070	13009727	ZÜNDKABEL L950 ONTSTEKINGSKABELS L950	CABLES ALLUMAGE L950 CABLES ENCENDIDO L950	CAVI ACCENSIONE L950	1
2101	13009757	DUESENGESTAENGE 3 ROHRE L526 T1/KN SPROEIERLIJN 3 BUIS L526 T1/KN	LIGNE GICLEUR 3 TUBES L526 T1/KN PORTA-BOQUILLA 3 TUBOS L526 T1/KN	LINEA P. UGELLO 3 TUBI L526 T1/KN	1
	13009758	DUESENGESTAENGE 3 ROHRE L726 T2/KL SPROEIERLIJN 3 BUIS L726 T2/KL	LIGNE GICLEUR 3 TUBES L726 T2/KL PORTA-BOQUILLA 3 TUBOS L726 T2/KL	LINEA P. UGELLO 3 TUBI L726 T2/KL	1
	13009759	DUESENGESTAENGE 3 ROHRE L626 T3/KM SPROEIERLIJN 3 BUIS L626 T3/KM	LIGNE GICLEUR 3 TUBES L626 T3/KM PORTA-BOQUILLA 3 TUBOS L626 T3/KM	LINEA P. UGELLO 3 TUBI L626 T3/KM	1
2102	13009812	O-RING ORM 0060-20 O-RING ORM 0060-20	O'RING ORM 0060-20 JUNTA TÓRICA ORM 0060-20	O'RING ORM 0060-20	1
2140	13009760	FLAMMENROHR D227/172/190 L343 BRANDERBUIIS D227/172/190 L343	TUBE DE FLAMME D227/172/190 L343 TUBO DE LLAMA D227/172/190 L343	BOCCAGLIO D227/172/190 L343	1
	13009761	FLAMMENROHR D227/172/190 L543 BRANDERBUIIS D227/172/190 L543	TUBE DE FLAMME D227/172/190 L543 TUBO DE LLAMA D227/172/190 L543	BOCCAGLIO D227/172/190 L543	1
	13009762	FLAMMENROHR D227/172/190 L443 BRANDERBUIIS D227/172/190 L443	TUBE DE FLAMME D227/172/190 L443 TUBO DE LLAMA D227/172/190 L443	BOCCAGLIO D227/172/190 L443	1
	13009763	FLAMMENROHR D227/160/190 L343 BRANDERBUIIS D227/160/190 L343	TUBE DE FLAMME D227/160/190 L343 TUBO DE LLAMA D227/160/190 L343	BOCCAGLIO D227/160/190 L343	1
	13009764	FLAMMENROHR D227/160/190 L543 BRANDERBUIIS D227/160/190 L543	TUBE DE FLAMME D227/160/190 L543 TUBO DE LLAMA D227/160/190 L543	BOCCAGLIO D227/160/190 L543	1
	13009765	FLAMMENROHR D227/160/190 L443 BRANDERBUIIS D227/160/190 L443	TUBE DE FLAMME D227/160/190 L443 TUBO DE LLAMA D227/160/190 L443	BOCCAGLIO D227/160/190 L443	1
2150	13009719	DICHTUNG/KESSELÜR 326X335X3 DICHTING KLINGERIT 326X335X3	JOINT/FAÇADE CHAUDIERE 326X335X3 JUNTA/FRENTE CALDERA 326X335X3	GUARN./LATO FRONTALE CALDAIA 326X335X3	1
2170	13009723	BEF.SCHRAUBENKIT BRENNERROHR (X3) KIT BEV.SCHROEF BRANDERBUIIS (X3)	KIT VIS FIX. TUBE BRULEUR (X3) KIT TORN.FIJ. TUBO QUEMADOR (X3)	KIT VITI FISS. TUBO BRUCIATORE (X3)	1

					
		DE NL	FR ES		IT
2400	13016056	DUESE DAN 6,50GPH 60° B SPROEIER DAN 6,50GPH 60° B	GICLEUR DAN 6,50GPH 60° B BOQUILLA DAN 6,50GPH 60° B	UGELLO DAN 6,50GPH 60° B	1
	13016059	DUESE DAN 8,50GPH 60° B SPROEIER DAN 8,50GPH 60° B	GICLEUR DAN 8,50GPH 60° B BOQUILLA DAN 8,50GPH 60° B	UGELLO DAN 8,50GPH 60° B	1
2500	13009811	HYDRAUL.VERTEILER (3ALL) HYDRAUL. VERDELER VOLL. (3ALL)	DISTRIBUTEUR HYDRAULIQUE FIOUL EQ.(3ALL) DISTRIBUIDOR HIDRÁUL.EQ. (3ENC)	DISTRIBUTTORE IDRAULICO GASOLIO 3 STAD.	1
2510	13009813	ELEKTROVENTIL LUC 121F63 2/2NF9W MAGNEETKLEP LUC 121F63 2/2NF9W	ELECTROVANNE LUC 121F63 2/2NF9W ELECTROVÁLV. LUC 121F63 2/2NF9W	ELETTROVALVOLA LUC 121F63 2/2NF9W	1
2520	13009814	SPULE LUCIFER 9W SPOEL LUCIFER 9W	BOBINE LUCIFER 9W BOBINA LUCIFER 9W	BOBINA LUCIFER 9W	1
2600	13009724	ACHSENKIT KIT ASSEN	KIT AXES KIT EJES	KIT ASSI	1
5001	13016039	DUESE DAN 10,0GPH 45° B SPROEIER DAN 10,0GPH 45° B	GICLEUR DAN 10,0GPH 45° B BOQUILLA DAN 10,0GPH 45° B	UGELLO DAN 10,0GPH 45° B	1
	13016042	DUESE DAN 4,50GPH 45° B SPROEIER DAN 4,50GPH 45° B	GICLEUR DAN 4,50GPH 45° B BOQUILLA DAN 4,50GPH 45° B	UGELLO DAN 4,50GPH 45° B	1
	13016043	DUESE DAN 5,50GPH 45° B SPROEIER DAN 5,50GPH 45° B	GICLEUR DAN 5,50GPH 45° B BOQUILLA DAN 5,50GPH 45° B	UGELLO DAN 5,50GPH 45° B	1
	13016044	DUESE DAN 5,00GPH 45° B SPROEIER DAN 5,00GPH 45° B	GICLEUR DAN 5,00GPH 45° B BOQUILLA DAN 5,00GPH 45° B	UGELLO DAN 5,00GPH 45° B	1
	13016045	DUESE DAN 6,50GPH 45° B SPROEIER DAN 6,50GPH 45° B	GICLEUR DAN 6,50GPH 45° B BOQUILLA DAN 6,50GPH 45° B	UGELLO DAN 6,50GPH 45° B	1
	13016047	DUESE DAN 7,50GPH 45° B SPROEIER DAN 7,50GPH 45° B	GICLEUR DAN 7,50GPH 45° B BOQUILLA DAN 7,50GPH 45° B	UGELLO DAN 7,50GPH 45° B	1
	13016048	DUESE DAN 8,50GPH 45° B SPROEIER DAN 8,50GPH 45° B	GICLEUR DAN 8,50GPH 45° B BOQUILLA DAN 8,50GPH 45° B	UGELLO DAN 8,50GPH 45° B	1
	13016049	DUESE DAN 10,0GPH 60° B SPROEIER DAN 10,0GPH 60° B	GICLEUR DAN 10,0GPH 60° B BOQUILLA DAN 10,0GPH 60° B	UGELLO DAN 10,0GPH 60° B	1
	13016050	DUESE DAN 11,0GPH 60° B SPROEIER DAN 11,0GPH 60° B	GICLEUR DAN 11,0GPH 60° B BOQUILLA DAN 11,0GPH 60° B	UGELLO DAN 11,0GPH 60° B	1
	13016053	DUESE DAN 4,50GPH 60° B SPROEIER DAN 4,50GPH 60° B	GICLEUR DAN 4,50GPH 60° B BOQUILLA DAN 4,50GPH 60° B	UGELLO DAN 4,50GPH 60° B	1
	13016054	DUESE DAN 5,50GPH 60° B SPROEIER DAN 5,50GPH 60° B	GICLEUR DAN 5,50GPH 60° B BOQUILLA DAN 5,50GPH 60° B	UGELLO DAN 5,50GPH 60° B	1
	13016056	DUESE DAN 6,50GPH 60° B SPROEIER DAN 6,50GPH 60° B	GICLEUR DAN 6,50GPH 60° B BOQUILLA DAN 6,50GPH 60° B	UGELLO DAN 6,50GPH 60° B	1
	13016058	DUESE DAN 7,50GPH 60° B SPROEIER DAN 7,50GPH 60° B	GICLEUR DAN 7,50GPH 60° B BOQUILLA DAN 7,50GPH 60° B	UGELLO DAN 7,50GPH 60° B	1
	13016059	DUESE DAN 8,50GPH 60° B SPROEIER DAN 8,50GPH 60° B	GICLEUR DAN 8,50GPH 60° B BOQUILLA DAN 8,50GPH 60° B	UGELLO DAN 8,50GPH 60° B	1
	13023430	DUESE DAN 11,0GPH 45° B SPROEIER DAN 11,0GPH 45° B	GICLEUR DAN 11,0GPH 45° B BOQUILLA DAN 11,0GPH 45° B	UGELLO DAN 11,0GPH 45° B	1
	65300630	DUESE DAN 5,00GPH 60° B SPROEIER DAN 5,00GPH 60° B	GICLEUR DAN 5,00GPH 60° B BOQUILLA DAN 5,00GPH 60° B	UGELLO DAN 5,00GPH 60° B	1
	65300688	DUESE DAN 12,0GPH 60°B SPROEIER DAN 12,0GPH 60°B	GICLEUR DAN 12,0GPH 60°B BOQUILLA DAN 12,0GPH 60°B	UGELLO DAN 12,0GPH 60°B	1

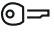





					
1010	13009641	ИЗОЛЯЦИЯ ВОЗДУХОЗАБОРНИКА HAVA KUTUSU YALITIMI	ISOLAMENTO CAIXA DE ENTRADA DE AR	USZCZELKA SKRZYNKI POWIETRZA	1
1011	13009640	УПЛОТНЕНИЕ ВОЗДУХОЗАБОРНИКА HAVA KUTUSU CONTASI	JUNTA CAIXA DE AR	USZCZELKA SKRZYNKI POWIETRZA	1
1012	13009642	КРЫШКА ВОЗДУХОЗАБОРНИКА HAVA KUTUSU KARAĞI	TAMPA REGISTRO DE AR	POKRYWA SKRZYNKI POWIETRZA	1
1026	13009748	ВОЗДУШНЫЙ ВЫПРЯМИТЕЛЬ HAVA DÜZELTİCİ	RECICLAGEM DE AR	PROSTOWNIK POWIETRZA	1
1040	13016845	МУФТА ПРОПУСКА ПРОВОДА/КАРТЕР KABLO KANALI/KARTER	PASSA-CABOS/CAIXA	PRZELOTKA PRZEWODU/OBUDOWA	1
1050	13014117	ВОЗДУШНАЯ ЗАСЛОНКА В СБОРЕ DONANIMLI HAVA KARAĞIĞI	CONJUNTO ALETA DE AR	ZASŁONA POWIETRZA Z WYPOSAŻENIEM	1
1051	13011507	ПРУЖИНА/ВОЗДУШНОЙ ЗАСЛОНКИ КРАСНЫЙ YAĞI/KIRMIZI HAVA KLAPEŞİ	MOLA ALETA DE AR (VERMELHA)	SPRĘŻYNA/PRZEPUST. POWIETR. CZERWONA	1
1055	65301070	СОЕДИНЕНИЕ В СБОРЕ DONANIMLI BAĞLANTI	ACOPLAMENTO COMPLETO	SPRZĘGŁO Z OSPRZĘTEM	1
1070	13009736	ТУРБИНА D240X114 d24 D240X114 d24 TÜRBİN	TURBINA D240X114 d24	WIMIK D240X114 d24	1
	13009737	ТУРБИНА D250X114 d24 D250X114 d24 TÜRBİN	TURBINA D250X114 d24	WIMIK D250X114 d24	1
1080	13009648	ПРОХОДНАЯ ВТУЛКА ДЛЯ ПРОВОДА KABLO GEÇİRİCİ	PASSA-CABOS	PRZELOT KABLI	1
1090	65301001	СЕРВОДВИГАТЕЛЬ STE 4,5 Q3.51/6 3NM R SERVOMOTOR STE 4,5 VO37/6	ATUADOR STE 4,5 Q3.51/6 R 3NM	SERWOMOTOR STE 4,5 Q3.51/6 R 3NM	1
1092	65326226	ДЕРЖАТЕЛЬ СЕРВОДВИГАТЕЛЬ DESTEĞİ SERVOMOTOR	SUPORTE SERVOMOTOR	WSPORNIK SERVOMOTOR	1
1093	65326227	ВОЗДУШНАЯ ЗАСЛОНКА В СБОРЕ DONANIMLI HAVA KLAPEŞİ	FLAP DE AR EQUIP.	PRZEPUSTNICA POWIETRZA Z OSPRZĘTEM	1
1100	65301016	ЧЕХОЛ VECTRON5+ V6 +ВИНТ КРЕПЛЕНИЯ DONANIMLI MUHAFAZA KARAĞI VECTRON5 / V6	EXTRATOR VECTRON5 E V6+PARAFUSO FIXAÇÃO	POKRYWA VECTRON5 I V6 Z OSPRZĘTEM	1
1105	13009772	УПЛОТНИТЕЛЬНАЯ ЛЕНТА/КОЖУХ YALITIM BANDI / GÖVDE KAPLAMA	BANDA DE VEDAÇÃO EXAUSTOR	TAŚMA USZCZELNIAJĄCA/POKRYWA	1
1111	65300519	ВИНТ С ПЛОСКОЙ ГОЛОВКОЙ M5X15 DÜZ BAŞLI VIDA M5X15	PARAFUSO CABEÇA PLANA M5X15	ŚRUBA Z ŁBEM NITOWYM PŁASKIM M5X15	1
1150	13015715	КОНДЕНСАТОР 12µF 12µF KONDANSATÖR	CONDENSADOR 12µF	KONDENSATOR 12 µF	1
1160	13009739	ДВИГАТЕЛЬ 2,2KW230/400V D24+РАЗЪЕМ MOTOR 2,2KW230/400V D24+PRİZ	MOTOR 2,2KW230/400V D24+PLUGUE	SILNIK 2,2 KW 230/400 V D24 + GNIAZDO	1
	13009740	ДВИГАТЕЛЬ 2,5KW230/400V D24+РАЗЪЕМ MOTOR 2,5KW230/400V D24+PRİZ	MOTOR 2,5KW230/400V D24+PLUGUE	SILNIK 2,5 KW 230/400 V D24 + GNIAZDO	1
1165	13009807	ДВИГАТЕЛЬ 0,45KW230V D12,7 GMP 0,45KW230V D12,7 GMP MOTOR	MOTOR 0,45KW230V D12,7 GMP	SILNIK 0,45 KW 230 V D12,7 GMP	1
1170	13009806	СОЕД. МУФТА НАСОС/ДВИГАТЕЛЬ Н-В ПОМПА/Н-В MOTOR AKUPLEMANI	ACOPLAMENTO BOMBA/MOTOR H-B	SPRZĘGŁO POMPY/SILNIKA H-B	1
1175	13009802	МАЗУТНЫЙ НАСОС AJ6 CC 1004 AJ6 CC 1004 YAKIT POMPASI	BOMBA DE COMBUSTÍVEL AJ6 CC 1004	POMPA PALIWA AJ6 CC 1004	1
1180	13014194	ФИЛЬТР НАСОСА AJ6 AJ6 POMPA FILTRESİ	FILTRO BOMBA SUNTEC AJ6	FILTR POMPY AJ6	1
1200	13009815	ШЛАНГ МАЗУТН., ДЛ. 1,5 М L 1.5M YAKIT HORTUMU	MANGUEIRA COMBUSTÍVEL C. 1,5M	PRZEWÓD PALIWOWY L 1,5 M	1
1201	13014419	ШТУЦЕР/ШЛАНГ G1/4/M16X1,5 G1/4/M16X1,5 RAKOR/HORTUM	CONECTOR/MANGUEIRA G1/4/M16X1,5	ZŁĄCZE/USZCZELKA G1/4/M16X1,5	1
1202	13014676	ШТУЦЕР/ШЛАНГ G1/8/M14X1,5 G1/8/M14X1,5 RAKOR/HORTUM	CONECTOR/MANGUEIRA G1/8/M14X1,5	ZŁĄCZE/USZCZELKA G1/8/M14X1,5	1
1240	13009738	ДАТЧИК ДАВЛЕНИЯ BASINÇ GİRİŞİ	TORNEIRA DE PRESSÃO	GNIAZDO CIŚNIENIOWE	1
1250	13020723	КРОНШТЕЙН ПНЕВМОРЕЛЕ D32 HAVA BASINÇ ŞALTERİ MESNEDİ D32	BASE MANÓSTATO AR D32	WSPORNIK CZUJNIKA CIŚNI. POWIETR. D32	1
1260	65300991	РЕЛЕ ДАВЛЕНИЯ ВОЗДУХ HUBA 604 1-10MBAR HAVA BASINÇ ŞALTERİ HUBA 604 1-10MBAR	MANÓSTATO DE AR 604 1-10MBAR	CZUJNIK CIŚNIENIA POWIETR. HUBA 604 1-10	1
1270	13010055	УПЛОТНЕНИЕ КОЖУХА KARTER CONTASI	JUNTA CAIXA	USZCZELKA KARTERA	1
1280	13010008	СМОТРОВОЕ СТЕКЛО RÖGAR CAMI	VIGIA	SZKŁO PODGLĄDU	1
1501	65300879	БЛОК УПРАВЛЕНИЯ TCH 311.00 KUTU TCH 311.00	UNIDADE DE CONTROLE TCH 311.00	MODUŁ TCH 311.00	1
1504	65300997	КАБЕЛЬ / ТРАНСФО РОЗЖИГА KABLOSU / ATEŞLEME TRAFO.	CABO/ACENDEDOR	PRZEWÓD+GNIAZDO/APARAT ZAPŁONOWY	1
1506	65300995	КАБ. КЛАПАН ДИЗЕЛЬНОГО ТОПЛИВА 2 СТУПЕНЬ KABLOSU YAKIT VANASI 2. ORAN	CABO VÁLVULA COMBUSTÍVEL CPL. 2 ESTÁGIOS	PRZEWÓD ZAWÓR OLEJU OP. 2. STOPIEŃ	1
1507	65301000	КАБЕЛЬ L560+РАЗЪЕМ 4-ПОЛЮС/ДВИГАТЕЛЬ L560 KABLO +PRİZ 4P/MOTOR	CABO C.560+CONECTOR 4P/MOTOR	KABEL L560+GNIAZDO 4P/SILNIK	1

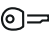
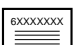
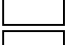
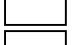
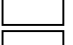

					
1509	65300996	КАБ. КЛАПАН ДИЗЕЛЬНОГО ТОПЛИВА 3 СТУПЕНЬ KABLOSU YAKIT VANASI 3. ORAN	CABO VÁLVULA COMBUSTÍVEL CPL. 3 ESTÁGIOS	PRZEWÓD ZAWÓR OLEJU OP. 3. STOPIEŃ	1
1511	65300994	КАБ. КЛАПАН ДИЗЕЛЬН. ТОПЛИВА 1 СТ+БЕЗОП. KABLOSU YAKIT VANASI 1. ORAN+GÜV.	CABO VÁLVULA COMBUSTÍVEL 1 ESTÁGIO+ SEG.	PRZEWÓD ZAWÓR OLEJU OP. 1. ST+ZAB.	1
1525	65301109	ДИСПЛЕЙ БЛОК УПРАВЛЕНИЯ TCG-TCH REL. 2.2 EKTRAN İÇİN KUTU TCG-TCH REL. 2.2	VISOR UNIDADE CONTROLE TCG-TCH REL.2.2	WYŚWIETLACZ / MODUŁ TCG-TCH REL.2.2	1
1550	13009778	КОНТАКТОР KONTAKTÖR	CONTATOR	KONTAKTOR	1
1560	13009746	ТЕРМОРЕЛЕ LR2K 5.5-8.0A LR2K 5.5-8.0A TERMİL RÖLE	RELÉ TÉRMICO LR2K 5,5-8,0A	PRZEKAŹNIK TERMICZNY LR2K 5,5-8,0 A	1
1600	13009663	ТРАНСФО РОЗЖИГА EBI 2X7,5 230V ATEŞLEME TRAFO. EBI 2X7,5 230V	TRANSFO IGNIÇÃO EBI 2X7,5 230V	TRANSFO ZAPŁONOWY EBI 2X7,5 230V	1
1605	13009743	КАБЕЛЬ РОЗЖИГА ATEŞLEME KABLOSU	CABO DE IGNIÇÃO	KABEL ZAPALNIKA	1
1610	13009661	ЗАТВОР/ПУЛЬТ TAPA / KONTROL PANELİ	OBTURADOR INTERFACE	PRZEPUSTNICA / PULPIT	1
1620	65300993	МУФТА ПРОКЛАДКИ ПРОВОДА D54/D47/D36 KABLO KANALI D54/D47/D36	PASSA-CABOS D54/D47/D36	PRZELOTKA PRZEWODU D54/D47/D36	1
1630	65300992	ПУЛЬТ УПРАВЛЕНИЯ ПЛАСТИКОВЫЙ İŞLETİM MASASI PLASTİK	PLACA DE CONTROLE PLÁSTICA	PLASTIKOWY PULPIT STEROWNICZY	1
1640	13016457	ДЕРЖАТЕЛЬ ПРЕДОХР-ЛЯ + ПРЕДОХР-ЛЬ 6,3 A SİGORTA TAŞIYICI + 6.3A SİGORTA	PORTA-FUSÍVEL+FUSÍVEL 6,3A	OPRAWA BEZPIECZNIKOWA +BEZPIECZNIK 6,3 A	1
1645	13016028	ПРЕДОХРАНИТЕЛЬ 5X20 6.3A SİGORTA 5X20 6.3A	FUSÍVEL 5X20 6,3A	BEZPIECZNIKA 5X20 6.3A	1
1650	13010007	ПЕРЕКЛЮЧАТЕЛЬ ŞALTER	INTERRUPTOR LIGAR/DESLIGAR	PRZEŁĄCZNIK	1
1660	13014009	ПЕРЕКЛЮЧАТЕЛЬ ŞALTER	INTERRUPTOR - FUNCIONAMENTO	PRZEŁĄCZNIK	1
1670	65300999	КАБЕЛЬ / НАСОС МОМТО KABLOSU / POMPA/ MOTOR	CABO / BOMBA MOTOR	PRZEWÓD / POMPA SILNIK	1
1920	65326516	ФОТОРЕЗИСТОР QRB1A LG.570+RAST5 HÜCRE QRB1A LG.570+RAST5	CELULA QRB1A LG.570+RAST5	FOTOKOMÓRKA QRB1A LG.570+RAST5	1
2010	13009809	ШЛАНГ M14X1,5X2 L1300 M14X1,5X2 L1300 HORTUM	MANGUEIRA M14X1,5X2 C1300	USZCZELKA M14X1,5X2 L1300	1
2020	13009752	ДЕФЛЕКТОР D155/50 8SL R 3DRIL. DEFLEKTOR D155/50 8SL R 3DRIL.	DEFLECTOR D155/50 8SL R 3DRIL.	DEFLEKTOR D155/50 8SL R 3DRIL.	1
	13022795	ДЕФЛЕКТОР D168/50 8SL 3DRIL. DEFLEKTOR D168/50 8SL 3DRIL.	DEFLECTOR D168/50 8SL 3DRIL.	DEFLEKTOR D168/50 8SL 3DRIL.	1
2025	13009753	ДЕРЖАТЕЛЬ ДЕФЛЕКТОР DEFLEKTÖR DESTEĞİ	SUPORTE PLACA DEFLETORA	WSPORNIK DEFLEKTOR	1
2045	13009726	БЛОК ЭЛЕКТРОДОВ 27X55 d6,4D2X23 45°+ВИНТ ELEKTROD BLOĞU 27X55 d6,4D2X23 45°+VIDA.	BLOCO ELETROD.27X55 d6,4D2X23 45°+PARAF.	BLOK ELEKTROD 27X55 d6,4D2X23 45° +ŞRUBA	1
2046	13010049	ВИНТ С БУРТИКОМ M4/БЛОК ЭЛЕКТРОДОВ M4 OMUZLU VIDA/ELEKTROT BLOĞU	PARAFUSO M4/BLOCO DE ELÉTRODOS	ŞRUBA M4/BLOKADA ELEKTROD	1
2047	13009725	ФЛАНЕЦ 20X11X2,6 FIX. ЭЛЕКТРОД FLANŞI 20X11X2,6 FIX. ELEKTROD	FLANGE 20X11X2,6 FIX. ELETRODO	KOŁNIERZ 20X11X2,6 FIX. ELEKTRODA	1
2070	13009727	ЗАПАЛЬНЫЕ ПРОВОДА L950 L950 ATEŞLEME KABLOLARI	CABOS IGNIÇÃO L950	KABEL ZAPALNIKA L950	1
2101	13009757	ДЕРЖАТЕЛЬ ФОРСУНКИ 3 ТРУБКИ L526 T1/KN PÜSKÜRT.MEMESI TAŞIY. 3 BORU. L526 T1/KN	LINHA BOCAL 3 TUBOS C526 T1/KN	UKŁAD DYSZY 3 PRZEWÓDY L526 T1/KN	1
	13009758	ДЕРЖАТЕЛЬ ФОРСУНКИ 3 ТРУБКИ L726 T2/KL PÜSKÜRT.MEMESI TAŞIY. 3 BORU. L726 T2/KL	LINHA BOCAL 3 TUBOS C726 T2/KL	UKŁAD DYSZY 3 PRZEWÓDY L726 T2/KL	1
	13009759	ДЕРЖАТЕЛЬ ФОРСУНКИ 3 ТРУБКИ L626 T3/KM PÜSKÜRT.MEMESI TAŞIY. 3 BORU. L626 T3/KM	LINHA BOCAL 3 TUBOS C626 T3/KM	UKŁAD DYSZY 3 PRZEWÓDY L626 T3/KM	1
2102	13009812	УПЛОТН. КОЛЬЦО ORM 0060-20 O'RING ORM 0060-20	O-RING ORM 0060-20	O-RING ORM 0060-20	1
2140	13009760	СОПЛО ГОРЕЛКИ D227/172/190 L343 BRÜLÖR BORUSU D227/172/190 L343	TUBO DO QUEIMADOR D227/172/190 L343	RURA PALNIKA D227/172/190 L343	1
	13009761	СОПЛО ГОРЕЛКИ D227/172/190 L543 BRÜLÖR BORUSU D227/172/190 L543	TUBO DO QUEIMADOR D227/172/190 L543	RURA PALNIKA D227/172/190 L543	1
	13009762	СОПЛО ГОРЕЛКИ D227/172/190 L443 BRÜLÖR BORUSU D227/172/190 L443	TUBO DO QUEIMADOR D227/172/190 L443	RURA PALNIKA D227/172/190 L443	1
	13009763	СОПЛО ГОРЕЛКИ D227/160/190 L343 BRÜLÖR BORUSU D227/160/190 L343	TUBO DO QUEIMADOR D227/160/190 L343	RURA PALNIKA D227/160/190 L343	1
	13009764	СОПЛО ГОРЕЛКИ D227/160/190 L543 BRÜLÖR BORUSU D227/160/190 L543	TUBO DO QUEIMADOR D227/160/190 L543	RURA PALNIKA D227/160/190 L543	1
	13009765	СОПЛО ГОРЕЛКИ D227/160/190 L443 BRÜLÖR BORUSU D227/160/190 L443	TUBO DO QUEIMADOR D227/160/190 L443	RURA PALNIKA D227/160/190 L443	1
2150	13009719	УПЛОТНЕНИЕ/ПЕРЕДН ЧАСТЬ КОТЛА 326X335X3 326X335X3 KAZAN CONTASI/ÖN YÜZÜ	JUNTA/FRENTE CALDEIRA 326X335X3	USZCZELKA/ŚCIANA CZOŁ. KOTŁA 326X335X3	1
2170	13009723	КОМПЛ-Т ВИНТ КРЕПЛЕН ТРУБЫ ГОРЕЛКИ (X3) BRÜLÖR TÜPÜ TESBİT VİDASI KİTİ (X3)	KIT PARAFUSO FIX. TUBO QUEIMADOR (X3)	ZESTAW ŚRUB MOCOW. RURA PALNIKA (X3)	1

			RU	PT	PL	
			TR			
2400	13016056	ΦΟΡΣΥΝΚΑ DAN 6,50GPH 60° B PÜSKÜRTME MEMESİ DAN 6,50GPH 60° B	BOCAL DAN 6,50GPH 60° B	DYSZA DAN 6,50GPH 60° B	1	
	13016059	ΦΟΡΣΥΝΚΑ DAN 8,50GPH 60° B PÜSKÜRTME MEMESİ DAN 8,50GPH 60° B	BOCAL DAN 8,50GPH 60° B	DYSZA DAN 8,50GPH 60° B	1	
2500	13009811	ГИДРОРАСПРЕДЕЛИТЕЛЬ В СБОРЕ (3X РЕЖИМ) HIDROLİK DİSTRİBÜTÖR TAKIMI (3ALL)	CJ. VÁLV. CONTROLE DÉBITO (3 ESTÁG.)	DYSTRYBUTOR HYDRAUL. EQ. (3ALL)	1	
2510	13009813	ЭЛЕКТРОКЛАПАН LUC 121F63 2/2NF9W LUC 121F63 2/2NF9W ELEKTROVANA	VÁLVULA SOLENÓIDE LUC 121F63 2/2NF9W	SOLENOID LUC 121F63 2/2NF9W	1	
2520	13009814	КАТУШКА, LUCIFER 9W 9W LUCIFER BOBİN	BOBINA LUCIFER 9W	CEWKA LUCIFER 9 W	1	
2600	13009724	КОМПЛЕКТ ПАЛЬЦЕВ AKS KİTİ	KIT EIXOS	ZESTAW OSI	1	
5001	13016039	NOZZLE DAN 10,0GPH 45° B NOZZLE DAN 10,0GPH 45° B	BOCAL DAN 10,0GPH 45° B	NOZZLE DAN 10,0GPH 45° B	1	
	13016042	NOZZLE DAN 4,50GPH 45° B NOZZLE DAN 4,50GPH 45° B	BOCAL DAN 4,50GPH 45° B	NOZZLE DAN 4,50GPH 45° B	1	
	13016043	NOZZLE DAN 5,50GPH 45° B NOZZLE DAN 5,50GPH 45° B	BOCAL DAN 5,50GPH 45° B	NOZZLE DAN 5,50GPH 45° B	1	
	13016044	NOZZLE DAN 5,00GPH 45° B NOZZLE DAN 5,00GPH 45° B	BOCAL DAN 5,00GPH 45° B	NOZZLE DAN 5,00GPH 45° B	1	
	13016045	NOZZLE DAN 6,50GPH 45° B NOZZLE DAN 6,50GPH 45° B	BOCAL DAN 6,50GPH 45° B	NOZZLE DAN 6,50GPH 45° B	1	
	13016047	NOZZLE DAN 7,50GPH 45° B NOZZLE DAN 7,50GPH 45° B	BOCAL DAN 7,50GPH 45° B	NOZZLE DAN 7,50GPH 45° B	1	
	13016048	NOZZLE DAN 8,50GPH 45° B NOZZLE DAN 8,50GPH 45° B	BOCAL DAN 8,50GPH 45° B	NOZZLE DAN 8,50GPH 45° B	1	
	13016049	ΦΟΡΣΥΝΚΑ DAN 10,0GPH 60° B PÜSKÜRTME MEMESİ DAN 10,0GPH 60° B	BOCAL DAN 10,0GPH 60° B	DYSZA DAN 10,0GPH 60° B	1	
	13016050	ΦΟΡΣΥΝΚΑ DAN 11,0GPH 60° B PÜSKÜRTME MEMESİ DAN 11,0GPH 60° B	BOCAL DAN 11,0GPH 60° B	DYSZA DAN 11,0GPH 60° B	1	
	13016053	ΦΟΡΣΥΝΚΑ DAN 4,50GPH 60° B PÜSKÜRTME MEMESİ DAN 4,50GPH 60° B	BOCAL DAN 4,50GPH 60° B	DYSZA DAN 4,50GPH 60° B	1	
	13016054	ΦΟΡΣΥΝΚΑ DAN 5,50GPH 60° B PÜSKÜRTME MEMESİ DAN 5,50GPH 60° B	BOCAL DAN 5,50GPH 60° B	DYSZA DAN 5,50GPH 60° B	1	
	13016056	ΦΟΡΣΥΝΚΑ DAN 6,50GPH 60° B PÜSKÜRTME MEMESİ DAN 6,50GPH 60° B	BOCAL DAN 6,50GPH 60° B	DYSZA DAN 6,50GPH 60° B	1	
	13016058	ΦΟΡΣΥΝΚΑ DAN 7,50GPH 60° B PÜSKÜRTME MEMESİ DAN 7,50GPH 60° B	BOCAL DAN 7,50GPH 60° B	DYSZA DAN 7,50GPH 60° B	1	
	13016059	ΦΟΡΣΥΝΚΑ DAN 8,50GPH 60° B PÜSKÜRTME MEMESİ DAN 8,50GPH 60° B	BOCAL DAN 8,50GPH 60° B	DYSZA DAN 8,50GPH 60° B	1	
	13023430	NOZZLE DAN 11,0GPH 45° B NOZZLE DAN 11,0GPH 45° B	BOCAL DAN 11,0GPH 45° B	NOZZLE DAN 11,0GPH 45° B	1	
	65300630	ΦΟΡΣΥΝΚΑ DAN 5,00GPH 60° B PÜSKÜRTME MEMESİ DAN 5,00GPH 60° B	BOCAL DAN 5,00GPH 60° B	DYSZA DAN 5,00GPH 60° B	1	
	65300688	ΦΟΡΣΥΝΚΑ DAN 12,0GPH 60° B PÜSKÜRTME MEMESİ DAN 12,0GPH 60° B	BOCAL DAN 12,0GPH 60° B	DYSZA DAN 12,0GPH 60° B	1	

CB-VL6DP
Oil burner

CB-VL6DP
Oil burner

					
---	---	---	---	---	---

К О Н Т А К Т Ы

Distributor in Russia "Teplopartner" LTD
Russia, Krasnodar city, Stasova street, 184, office 4
Tel./fax.: 8 (861) 234 23 83, +7 (961) 854 41 24
www.gorelka-kotel.ru info@gorelka-kotel.ru