

SPARE PARTS EXPLODED VIEW GAS BURNERS

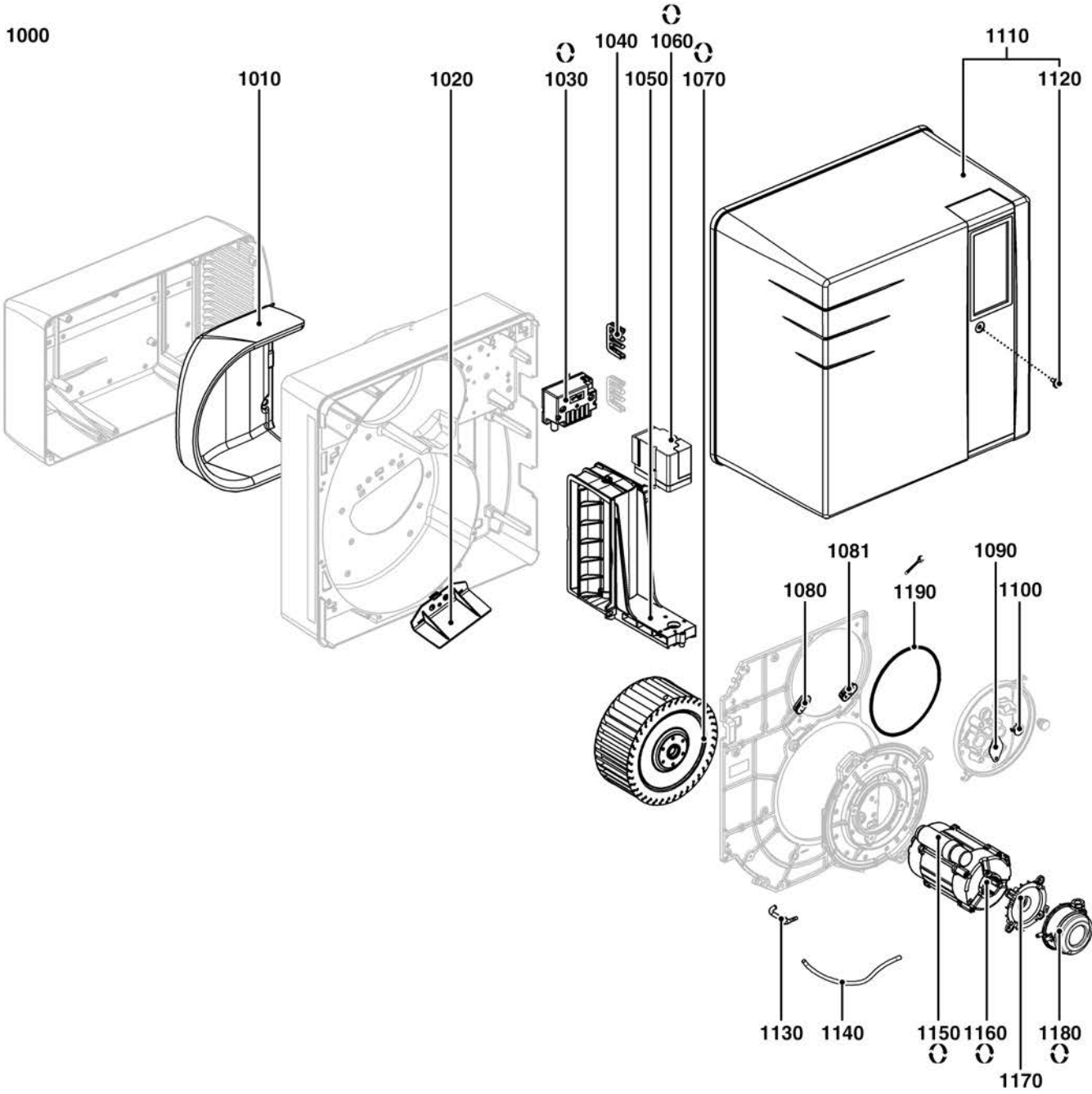
Model

CB-VG4 D E

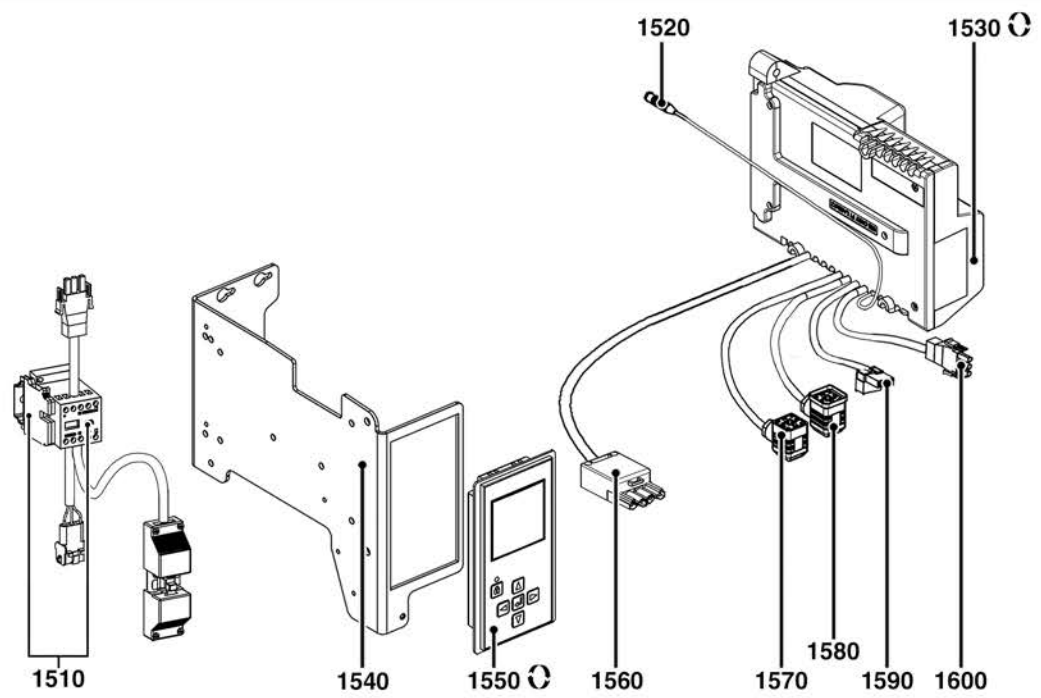
R8220276-01 - 18/07/2018

1	3836513	BB-VG 4.440 D E	05-2018	-
2	3836498	CH-G0532-T1/KN	05-2018	-
3	3836499	CH-G0532-T2/KL	06-2018	-
4	3832663	GT -D26 - 3/4 - RP3/4	06-2010	-
5	3832656	GT -D25 - 1 1/4 - RP1 1/4	06-2010	-
6	3833191	GT -D214 - 1 1/2 -RP2	03-2012	-
Col	Reference	Model type	Begin	End

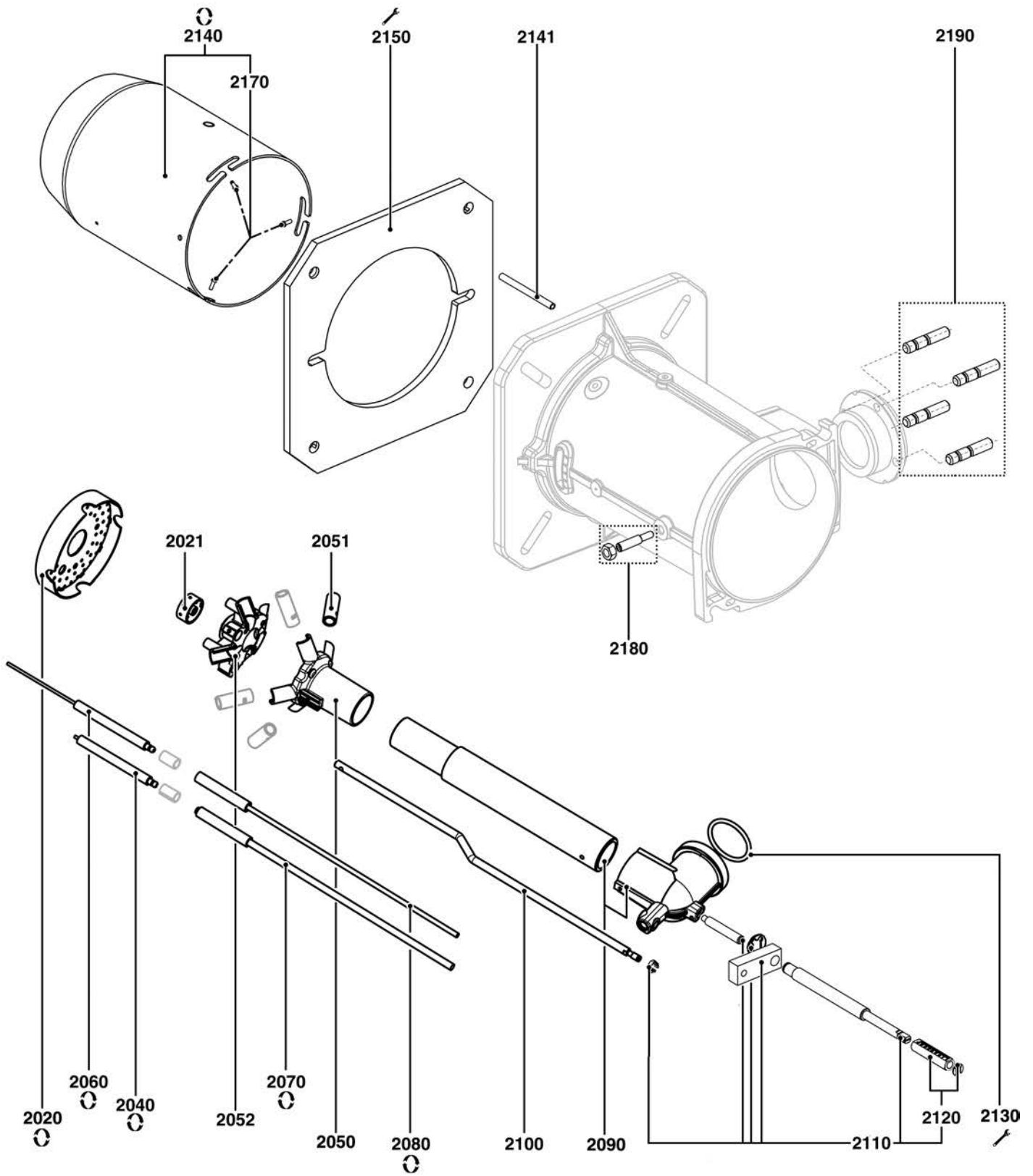
1000

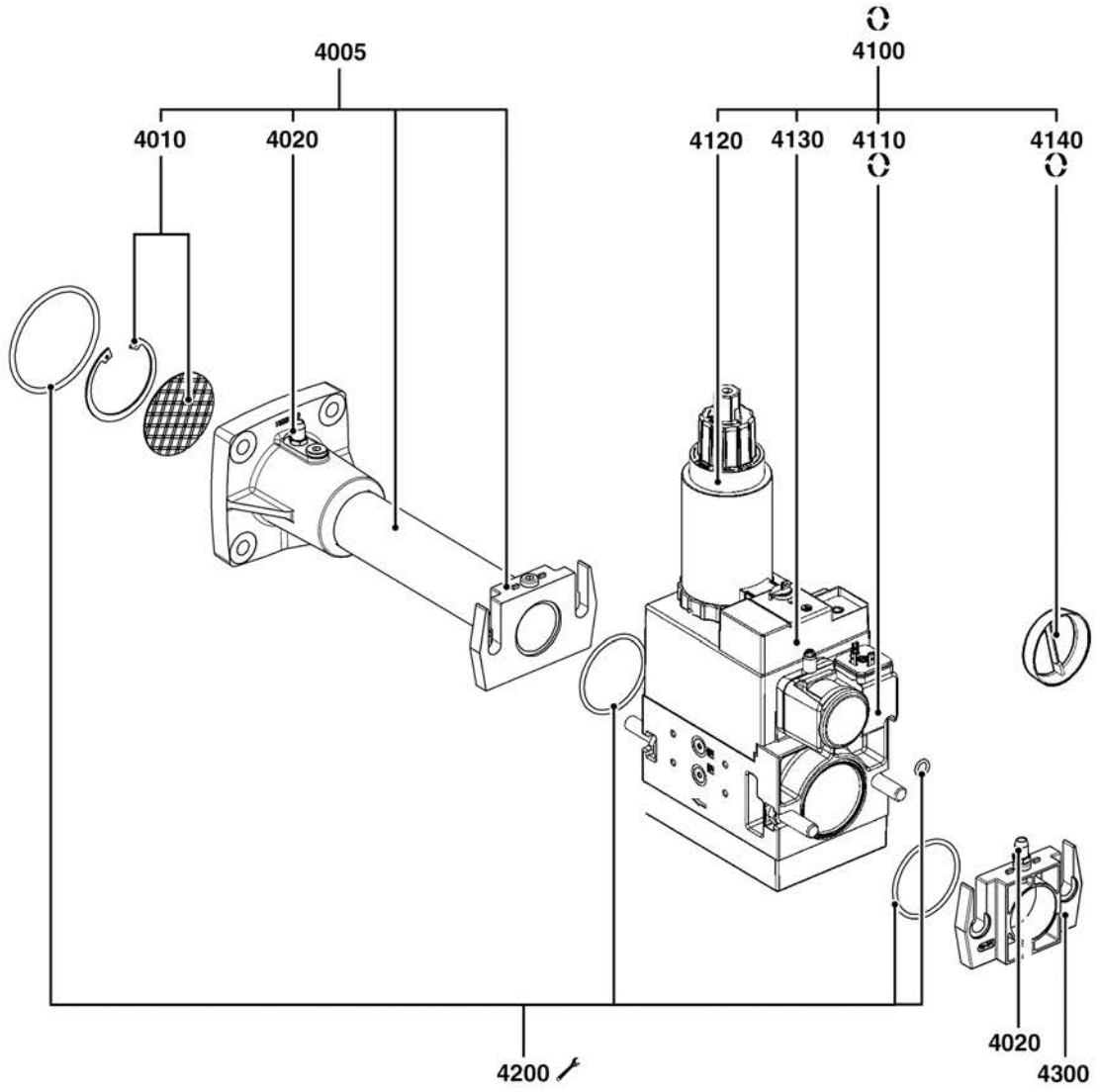


1500




☉⇒	Description	Manf. Pt. N	Type	<div style="display: flex; justify-content: space-between; padding: 2px;"> BB-VG 4, 440 D E CH-G0532-T1/KN CH-G0532-T2/KL GT-026 - 3/4" - R934F GT-025 - 1" 1/4 - R91" 1/4 GT-024 - 1" 1/2 - R92 </div>																		 31	
				1	2	3	4	5	6	7	8	9	10	11	12	13	14	15	16	17	18	From	to
1000	BURNER BODY																						
1010	INSULATION AIR INTAKE BOX	65300808		●																			
1020	AIR RECYCLING 119/114X60 78° (BLACK)	13017364		●																			
1030	IGNITION TRANSFO.EBI 1X11 230V+EARTH CO.	65300715		●																			
1040	GROMMET/HOUSING	13016845		●																			
1050	AIR FLAP	65300810		●																			
1060	ACTUATOR STE 4,5 B0.37/6-R + CABLE L600	65300527		●																			
1070	FAN WHEEL D180X75 D12,7	13011096		●																			
1080	RUBBER FUNNEL DIM34X15/12 - 1XD.6,20	13011186		●																			
1081	CABLE BUSHING DIM34x15/12 1xD3,25	13020685		●																			
1090	LOCKING PLATE	65300568		●																			
1100	INSPECTION GLASS BLU D14XD18	13007807		●																			
1110	HOOD VECTRON4+MOUNTING SCREW	65300812		●																			
1120	FLAT HEAD SCREW M5X15	65300519		●																			
1130	AIR PRESSURE PLUG G1/8+TUBE D4/6 L53 90°	65327491		●																			
1140	HOSE D4/7 L500 SILICONE	13015497		●																			
1150	CAPACITOR 16µF 2P 3MM	65301178		●																			
1160	MOTOR 0,42KW 230V D12,7	65300813		●																			
1170	AIR PRESSURE SWITCH BASE D32	13020723		●																			
1180	AIR PRESS.SWITCH 604.92 1-10MB+RAST	13020722		●																			
1190	SEAL D2,3 L485 EPDM FOAMED	65327476		●																			
1500	ELECTRIC PART																						
1510	AUX.RELAY/FAN MOT.+CABLES+CONN.	65301069		●																			
1520	IONISATION CABLE MC4/RAST 1P L350	65300158		●																			
1530	CONTROL UNIT TCG 211.00	65300880		●																			
1540	CONTROL UNIT BRACKET+DISPLAY	65300524		●																			
1550	DISPLAY/CONTROL UNIT TCG-TCH REL.2.2	65301109		●																			
1560	CABLE+PLUG WIE. 4P/RAST3P L250	65300531		●																			
1570	CABLE GAS VALVE+PLUG DIN/RAST5P L1500	65300570		●																			
1580	CABLE GAS P.SWITCH+PLUG DIN/RAST2P L1500	13023698		●																			
1590	CABLE IGNIT.TRANSFO+PLUG 2P/RAST2P L350	65300619		●																			
1600	CABLE MOTOR+PLUG 3P/RAST3P L300	13010519		●																			





	6XXXXXX	DE	FR	IT	X
		NL	ES		
1010	65300808	ISOLIERUNG -LUFTKASTEN VL+VG4 ISOLATIE LUCHTKAST	ISOLATION BOITE A AIR AISLAMIENTO CAJA DE AIRE	ISOLAMENTO SCATOLA DELL'ARIA	1
1020	13017364	ANSAUGLUFTFUEHR. 119/114X60 78°(SCHWARZ) LUCHTGELEIDING 119/114X60 78° (ZWART)	RECYCLAGE AIR 119/114X60 78° (NOIR) RECICLAJE DE AIRE 119/114X60 78° (NEGRO)	CONVOGLIATORE ARIA 119/114X60 78° (NERO)	1
1030	65300715	ZUENDTRAFO EBI 1X11 230V ONTSTEKINGSTRAFO EBI 1X11 230V	ALLUMEUR EBI 1X11 230V+PRISE TERRE ENCENDEDOR EBI 1X11 230V	TRASFO. ACC. EBI 1X11 230V+PRESA TERRA	1
1040	13016845	KABELDURCHFÜHRUNG / GEHÄUSE KABELDOORVOERING	PASSE FIL/CARTER PASACABLES/CÁRTER	PASSAFILO/ CARTER	1
1050	65300810	LUFTKLAPPE LUCHTKLEP V-G /L 4	VOLET D'AIR VÁLVULA DE AIRE	SERRANDA DELL'ARIA	1
1060	65300527	STELLANTR. STE4,5 B0.37/6-R M.KABEL L600 REGELMOTOR STE 4,5 B0.37/6-R +KABEL L600	SERVOMOTEUR STE4,5 B0.37/6-R +CABLE L600 SERVOMOTOR STE 4,5 B037/6 R+CABLE L600	SERVOMOTORE STE 4,5 B0.37/6-R +CAVO L600	1
1070	13011096	VENTILATORRAD D180X75 D12,7 VENTILATORRAD VG04DP/EK04G/FØ180 X 75	TURBINE D180X75 D12,7 TURBINA D180X75 D12,7	VENTOLA D180X75 D12,7	1
1080	13011186	TUELLE DIM34X15/12 - 1XD.6,20 DRAADDOORVOER DIM34X15/12 - 1XD.6,20	PASSE-CABLE DIM34X15/12 - 1XD.6,20 PASSACABLE DIM34X15/12 - 1XD.6,20	PASSACAVO DIM34X15/12 - 1XD.6,20	1
1081	13020685	KABELTUELLE DIM34X15/12 1xD3,25 KABELDOORVOER DIM34X15/12 1xD3,25	PASSE CABLE DIM34X15/12 1xD3,25 PASSACABLE DIM34X15/12 1xD3,25	PASSACAVO DIM34X15/12 1xD3,25	1
1090	65300568	VERSCHLUßBLECH AFSLUITPLAAT	PLAQUE DE FERMETURE PLACA DE CIERRE	PIASTRA DI CHIUSURA	1
1100	13007807	SCHAUGLAS BLAU D14/D18 KIJKGLASS BLAU D14/D18	VOYANT DE FLAMME BLEU D14XD18 VISOR DE LLAMA AZUL D14/D18	VISORE DI FIAMMA BLU D14XD18	1
1110	65300812	BRENNERHAUBE VECTRON4+SCHRAUBE KAP VECTRON4+BEVESTIGINGSSCHROEF	CAPOT VECTRON4+VIS CUBIERTA VECTRON4+TORNILLO DE FIJACIÓN	COFANO VECTRON4+VITE DI FISSAG.	1
1120	65300519	FLACHKOPF-SCHRAUBE M5X15+SPITZE PLATKOPSCHROEF M5X15	VIS A TETE PLATE M5X15 TORNILLO DE CABEZA PLANA M5X15	VITE A TESTA PIANA M5X15	1
1130	65327491	LUFTDRUCKNIPPEL G1/8+ROHR D4/6 L53 90° MEETAANSLUITING G1/8+BUIS D4/6 L53 90°	PRISE PRES.AIR G1/8+TUBE D4/6 L53 90° TOMA P.AIRE G1/8+TUBO D4/6 L53 90°	PRESA PRES.ARIA G1/8+TUBO D4/6 L53 90°	1
1140	13015497	SCHLAUCH ID4/7X500 SILIKON TRANSPARENT SLANG D4/7 L500 SILIKON	TUYAU D4/7 L500 SILICONE MANGUERA D4/7 L500 SILICONA	TUBETTO D4/7 L500 SILICONE	1
1150	65301178	KONDENSATOR 16µF 2P 3MM CONDENSATOR 16µF 2P 3MM	CONDENSATEUR 16µF 2P 3MM CONDENSADOR 16µF 2P 3MM	CONDENSATORE 16µF 2P 3MM	1
1160	65300813	MOTOR 0,42KW 230V D12,7 BRANDERMOTOR V-G /L 4 460, 0,42KW	MOTEUR 0,42KW 230V D12,7 MOTOR 0,42KW 230V D12,7	MOTORE 0,42KW 230V D12,7	1
1170	13020723	HALTER D32 LUFTDRUCKWAECHTER HUB LUCHTDRUKSCHAKELAAR STEUN D32	SUPPORT MANOSTAT AIR D32 SOPORTE DEL MANOSTATO DE AIRE D32	SUPPORTO PRESSOSTATO DELL'ARIA D32	1
1180	13020722	LUFTDRUCKWAECHTER 604.92 1-10MB+RAST LUCHTDRUKSCHAKELAAR 604.92 1-10MB+RAST	MANOSTAT AIR 604.92 1-10MB+RAST PRESOSTATO AIRE 604.92 1-10MB+RAST	PRESSOSTATO ARIA 604.92 1-10MB+RAST	1
1190	65327476	DICHTUNG D2,3 L485 EPDM GESCHÄUMT SEALSCHUIM EPDM D2,3 L485	JOINT EN MOUSSE EPDM D2,3 L485 JUNTA DE ESPUMA EPDM D2,3 L485	GUARNIZIONE D2,3 L485 IN EPDM ESPANSO	1
1510	65301069	RELAIS BG F.GEBLAESEMOTOR HULPRELAIS BRANDERMOTOR	RELAIS AUX. / MOTEUR DE VENTIL. RELÉ AUXIL. DEL MOTOR DE VENTIL.+CONN.	RELE AUSIL. MOTORE DEL VENTILATORE	1
1520	65300158	IONISATIONS KABEL MC4/RAST1P L350 IONISATIEKABEL MC4/RAST1P L350	CABLE IONISATION MC4/RAST1P L350 CABLE IONIZACION MC4/RAST1P L350	CAVO RIVELAZIONE MC4/RAST1P L350	1
1530	65300880	FEUERUNGSAUTOMAT TCG 211.00 BRANDERAUTOMAAT TCG 211.00	COFFRET TCG 211.00 PROGRAMADOR TCG 211.00	APPARECCHIATURA TCG 211.00	1
1540	65300524	HALTER ZU FEUERUNGSAUTOMAT + ANZEIGEEINH STEUN VAN DE AUTOMAAT+DISPLAY	SUPPORT COFFRET+AFFICHEUR SOPORTE DEL CAJETÍN+PANTALLA	SUPPORTO PROGRAMMATORE+VISUALIZ.	1
1550	65301109	ANZEIGE/FEUERUNGS AU. TCG-TCH R2.2 + KABEL AANWIJS EN BEDIENENHEID TCG/TCH R.2.2	AFFICHEUR/COFFRET TCG-TCH REL. 2.2 PANTALLA P. PROGRAMADOR TCG-TCH REL.2.2	DISPLAY PER APPARECCHIA.TCG-TCH REL.2.2	1
1560	65300531	KABEL+STECKER WIE. 4P/RAST3P L250 KABEL+STEKKER WIE. 4P/RAST3P L250	CABLE+PRISE WIE. 4P/RAST3P L250 CABLE+TOMA WIE. 4P/RAST3P L250	CAVO+PRESA WIE. 4P/RAST 3P L250	1
1570	65300570	KABEL GASVENTIL+STCK DIN/RAST5P L1500 KABEL GASKLEP+STCKDIN/RAST5P L1500	CABLE VANNE GAZ+PRISE DIN/RAST5P L1500 CABLE VALVULA GAS+TOMA DIN/RAST5P L1500	CAVO VALVOLA GAS+PRESA DIN/RAST5P L1500	1
1580	13023698	KABEL GDW.+STECKER DIN/RAST2P L1500 G.DRUKSCHAKEL.KABEL+STCKDIN/RAST2P L1500	CABLE MANO GAZ+PRISE DIN/RAST2P L1500 CABLE PRESOST.AIRE+TOMA DIN/RAST2P L1500	CAVO PRESSOST.GAS+PRESA DIN/RAST2P L1500	1
1590	65300619	KABEL ZÜNDTRAFO+STCK 2P/RAST2P L350 ONTSTEKINGSTRAFOKAB.+STEK.2P/RAST2P L350	CABLE ALLUMEUR+PRISE 2P/RAST2P L350 CABLE ENCENDEDOR+TOMA 2P/RAST2P L350	CAVO TRASFO ACCENS.+PRESA 2P/RAST2P L350	1
1600	13010519	KABEL MOTOR+STECKER 3P/RAST3P L300 KABEL MOTOR+STCK3P/RAST3P L300	CABLE MOTEUR+PRISE 3P/RAST3P L300 CABLE MOTOR+TOMA 3P/RAST3P L300	CAVO MOTORE+PRESA 3P/RAST3P L300	1
2020	65111864	STAUSCHEIBE D120/30X25 62DRIL. STUWPLAAT D120/30X25 62DRIL.	DEFLECTEUR D120/30X25 62DRIL. DEFLECTOR D120/30X25 62DRIL.	DIFFUSORE D120/30X25 62DRIL.	1
2021	65324716	GASDUESE D30/5,5X13 8 DRILL. D2,5 GAS VERSPREIDER D30/5,5X13 8 DRILL. D2,5	DIFFUSEUR GAZ D30/5,5X13 8 PERC. D2,5 DIFUSOR GAS D30/5,5X13 8 DRILL. D2,5	INIETTORE GAS D30/5,5X13 8 FORI D2,5	1
	65324717	GASDUESE LPG D33/5,5X10 8 DRILL. D1,5 VERSPREIDER LPG D33/5,5X10 8 DRILL. D1,5	DIFFUSEUR GPL D33/5,5X10 8 PERC. D1,5 DIFUSOR GPL D33/5,5X10 8 DRILL. D1,5	INIETTORE LPG D33/5,5X10 8 FORI D1,5	1
2040	65324331	ZUENDELEKTRODE D10X100 d6,4 D3X7 ONTSTEKINGSPEN D10X100 d6,4 D3X7	ELECTRODE ALLUMAGE D10X100 d6,4 D3X7 ELECTRODO ENCENDIDO D10X100 d6,4 D3X7	ELETTRODO ACCENSIONE D10X100 d6,4 D3X7	1
2050	65324694	GASKOPF L78 D107/35 4 BRANCH. GASKOP L78 D107/35 4 BRANCH.	TETE GAZ L78 D107/35 4 BRANCHES CABEZA GAS L78 D107/35 4 BRANCH.	TESTA GAS L78 D107/35 4 BRANCH.	1
2051	65324714	GASDUESE D14/10 L37 OPEN. 3X10 GASVERSPREIDER D14/10 L37 OPEN. 3X10	DIFFUSEUR GAZ D14/10 L37 OUV. 3X10 DIFUSOR GAS D14/10 L37 OPEN. 3X10	INIETTORE GAS D14/10 L37 APERT. 3X10	1

		DE	FR	IT	
		NL	ES		
	65324715	GASDUESE D14/8 L37 1 DRILL. D3,25 GASVERSPREIDER D14/8 L37 1 DRILL. D3,25	DIFFUSEUR GAZ D14/8 L37 1 PERC. D3,25 DIFUSOR GAS D14/8 L37 1 DRILL. D3,25	INIETTORE GAS D14/8 L37 1 FORO D3,25	1
2052	65324539	STOPF.GASKOPFAUFSATZ D88 L33 2XD6,5 4 BR STOP GASKOP D88 L33 2XD6,5 4 BR.	CALOTTE TETE GAZ D88 L33 2XD6,5 4 BR. TAPÓN CABEZA GAS D88 L33 2XD6,5 4 BR.	TAPPO TESTA GAS D88 L33 2XD6,5 4 BR.	1
2060	65320950	IONISATIONSSONDE D10X100 d6,4 D3X100 IONISATIEPEN D10X100 d6,4 D3X100	SONDE IONISATION D10X100 d6,4 D3X100 SONDA IONIZACION D10X100 d6,4 D3X100	SONDA RIVELAZIONE D10X100 d6,4 D3X100	1
2070	65326130	ZÜNDKABEL D4/D4 L1010 M. GEB. STECKER ONTSTEKINGSKABEL D4/D4 L1010 ELBOW PLUG	CABLE ALLUMAGE D4/D4 L1010 PRISE COUDEE CABLE ENCENDIDO D4/D4 L1010 ELBOW PLUG	CAVO ACCENSIONE D4/D4 L1010 CONN.GOM.	1
	65326132	ZÜNDKABEL D4/D4 L690 M. GEB. STECKER ONTSTEKINGSKABEL D4/D4 L690 ELBOW PLUG	CABLE ALLUMAGE D4/D4 L690 PRISE COUDEE CABLE ENCENDIDO D4/D4 L690 ELBOW PLUG	CAVO ACCENSIONE D4/D4 L690 CONN.GOM.	1
2080	65327471	IONISATIONSKABEL D5 L650 D4M/D7F IONISATIEKABEL D5 L650 D4M/D7F	CABLE IONISATION D5 L650 D4M/D7F CABLE IONIZACION D5 L650 D4M/D7F	CAVO RIVELAZIONE D5 L650 D4M/D7F	1
	65327477	IONISATIONSKABEL D5 L790 D4M/D7F IONISATIEKABEL D5 L790 D4M/D7F	CABLE IONISATION D5 L790 D4M/D7F CABLE IONIZACION D5 L790 D4M/D7F	CAVO RIVELAZIONE D5 L790 D4M/D7F	1
2090	65327473	GASROHR D35/40 L270 (T1/KN) GASBUIS D35/40 L270 (T1/KN)	TUBE GAZ D35/40 L270 (T1/KN) TUBERIA GAS D35/40 L270 (T1/KN)	TUBO GAS D35/40 L270 (T1/KN)	1
	65327479	GASROHR D35/40 L410 (T2/KL) GASBUIS D35/40 L410 (T2/KL)	TUBE GAZ D35/40 L410 (T2/KL) TUBERIA GAS D35/40 L410 (T2/KL)	TUBO GAS D35/40 L410 (T2/KL)	1
2100	65327472	SCHUBSTANGE NC46-VG4.440 (T1/KN) STELSTANG NC46-VG4.440 (T1/KN)	TIGE REGLAGE NC46-VG4.440 (T1/KN) VARILLA AJUSTE NC46-VG4.440 (T1/KN)	ASTA REGOLAZIONE NC46-VG4.440 (T1/KN)	1
	65327478	SCHUBSTANGE NC46-VG4.440 (T2/KL) STELSTANG NC46-VG4.440 (T2/KL)	TIGE REGLAGE NC46-VG4.440 (T2/KL) VARILLA AJUSTE NC46-VG4.440 (T2/KL)	ASTA REGOLAZIONE NC46-VG4.440 (T2/KL)	1
2110	65300821	SCHUBSTANGE D8/12/10X172+DISTANZROHR L45 STELSTANG D8/12/10 L172+SPACER L45	TIGE REGLAGE D8/12/10X172+ENTRETOISE L45 VARILLA AJUSTE D8/12/10 L172+ESPACIAL45	ASTA REGUL.D8/12/10 L172+DISTANZIALE L45	1
2120	65300554	EINSTELLSKALA+CLIPS NONIUS+KLEMMETJE	VERNIER+CIRCLIPS NONIO+CIRCLIPS	REGOLATORE+ANELLI ELASTICI	1
2130	13015499	O-RING D45X4 O-RING D45X4	O-RING D45X4 O-RING D45X4	O-RING D45X4	1
2140	65327475	FLAMMENROHR D150/157/116X277 (T1/KN) BRANDERBUIIS D150/157/116X277 (T1/KN)	TUBE DE FLAMME D150/157/116X277 (T1/KN) TUBO DE LLAMA D150/157/116X277 (T1/KN)	BOCCAGLIO D150/157/116X277 (T1/KN)	1
	65327480	FLAMMENROHR D150/157/116X417 (T2/KL) BRANDERBUIIS D150/157/116X417 (T2/KL)	TUBE DE FLAMME D150/157/116X417 (T2/KL) TUBO DE LLAMA D150/157/116X417 (T2/KL)	BOCCAGLIO D150/157/116X417 (T2/KL)	1
2141	65301184	DRUCKROHR FEUERRAUM L200MM BUIIS KAMERDRUK LG.200MM	TUBE PRESSION FOYER LG.200MM TUBO DE PRESIÓN DEL HOGAR LG. 200MM	TUBO PRESSIONE CAMERA LG.200MM	1
	65301185	DRUCKROHR FEUERRAUM L350MM BUIIS KAMERDRUK LG.350MM	TUBE PRESSION FOYER LG.350MM TUBO DE PRESIÓN DEL HOGAR LG.350MM	TUBO PRESSIONE CAMERA LG.350MM	1
2150	65327474	DICHTUNG/BRENNERFLANSCH 242X242X8 D161 PAKKING GASVOORZETSTUK 242X242X8 D161	JOINT/BRIDE BRULEUR 242X242X8 D161 JUNTA/BRIDA QUEMADOR 242X242X8 D161	GUARNIZIONE/FLANGIA BRUC. 242X242X8 D161	1
2170	13007804	SCHRAUBEN-SET M6X1 LINKSGEWINDE/VPE 3STK M6-BEV.SCHROEF(LINKER)BRANDERBUIIS(X3)	VIS M6 (PAS GAUCHE)FIX.TUBE FLAMME(3PCS) TORNILLOS M6 (R.IZQ.)FIJ.TUBO QUEMA.(X3)	VITE M6 (PASSO SX) FISS. BOCCAGLIO(3 PZ)	1
2180	65300557	SCHRAUBE+MUTTER M8X40 SCHROEF+MOER M8X40	VIS+ECROU M8X40 TORNILLO+TUERCA M8X40	VITE+DADO M8X40	1
2190	13016814	SATZ GEGENMUTTER+SENKSCHEIBE M10X40 SET 4 MOERNER M10 + NOPPEN M10X40	KIT 4 ECROUS M10+ GOIJONS M10X40 KIT 4 TUERCAS M10+PASADORES M10X40	KIT 4 DADI M10 + PRIGIONIERI M10X40	1
4005	65300571	GASANSCHLUBROHR MB 412 11/4Z GASAANSLUITBUIIS 1 1/4 - MB...412	COLLECTEUR CPL. 1 1/4 - MB...412 COLECTOR ACPL. CPL. 1 1/4 - MB...412	COLLETTORE ACC. 1/4 - MB...412	1
	65300572	GASANSCHLUBROHR MB 408 3/4Z GASAANSLUITBUIIS CPL. 3/4" - MB...407	COLLECTEUR CPL. 3/4" - MB...407 COLECTOR ACPL. 3/4" - MB...407	COLLETTORE ACC. 3/4" - MB...407	1
	65300655	GASANSCHLUBROHR MB 420 2Z AANSLUITBUIIS CPL. 2" - MB...420	COLLECTEUR CPL. 2" - MB...420 COLECTOR CPL. 2" - MB...420	COLLETTORE ACC. 2" - MB...420	1
4010	13011367	SICHERUNGSRING U.STABILISATOR D60 STABILISATOR+BORGVEREN D60	STABILISATEUR+CIRCLIPS D60 ESTABILIZADOR+ ANILLO DE RETÉN D60	STABILIZZATORE+BOCCOLA DI CHIUSURA D60	1
4020	13009722	MESSNIPPEL GERADE R1/8Z-VERPACKT DRUKAANSLUITING R1/8	PRISE PRESSION R1/8 TOMA PRESIÓN R1/8	PRESA PRESSIONE R1/8	1
4100	13011112	GASVENTIL MB-ZRDLE407 B01 S50 RP3/4 GASKLEP MBZRDLE407 B01 S50 RP3/4	VANNE GAZ MB-ZRDLE407B01 S50 RP3/4 GW150 VALVULA GAS MBZRDLE407 B01 S50 RP3/4	VALVOLA GAS MB-ZRDLE407 B01 S50 RP3/4	1
	13012275	GASVENTIL MB-ZRDLE412 B01 S20 RP1 1/4 GASKLEP MBZRDLE412 B01 S20 RP11/4	VANNE GAZ MB-ZRDLE412 B01 S20 RP1 1/4 VALVULA GAS MBZRDLE412 B01 S20 RP11/4	VALVOLA GAS MB-ZRDLE412 B01 S20 RP1 1/4	1
	65300664	GASVENTIL MBZRDLE420 B01 S20 RP2 GASKLEP MBZRDLE420 B01 S20 RP2"	VANNE GAZ MBZRDLE420 B01 S20 RP2" VALVULA GAS MBZRDLE420 B01 S20 RP2"	VALVOLA GAS MBZRDLE420 B01 S20 RP2"	1
4110	13010078	GASDRUCKWACHTER GW 150 A5 5-150MB GASDRUKSCHAKELAAR GW 150 A5 5-150MB	MANOSTAT GAZ GW 150 A5 5-150MB PRESOSTATO GAS GW 150 A5 5-150MB	PRESSOSTATO GAS GW 150 A5 5-150MB	1
4120	13010073	SPULE DUN N° 1150 V2 MBZRDLE405-407 SPOEL DUN N° 1150 V2 MBZRDLE405-407	BOBINE DUN N° 1150 V2 MBZRDLE405-407 BOBINA DUN N° 1150 V2 MBZRDLE405-407	BOBINA DUN N° 1150 V2 MBZRDLE405-407	1
	13012272	SPULE DUN N° 1250 V2 MBZRDLE410-412 SPOEL DUN N° 1250 V2 MBZRDLE410-412	BOBINE DUN N° 1250 V2 MBZRDLE410-412 BOBINA DUN N° 1250 V2 MBZRDLE410-412	BOBINA DUN N° 1250 V2 MBZRDLE410-412	1
	13017275	SPULE DUN N° 1350 V2 MBZRDLE420 SPOEL DUN N° 1350 V2 MBZRDLE420	BOBINE DUN N° 1350 V2 MBZRDLE420 BOBINA DUN N° 1350 V2 MBZRDLE420	BOBINA DUN N° 1350 V2 MBZRDLE420	1
4130	13010072	SPULE DUN N° 1101 V1 MBZRDLE405-407 SPOEL DUN N° 1101 V1 MBZRDLE405-407	BOBINE DUN N° 1101 V1 MBZRDLE405-407 BOBINA DUN N° 1101 V1 MBZRDLE405-407	BOBINA DUN N° 1101 V1 MBZRDLE405-407	1
	13012273	SPULE DUN N° 1201 V1 MBZRDLE410-412 SPOEL DUN N° 1201 V1 MBZRDLE410-412	BOBINE DUN N° 1201 V1 MBZRDLE410-412 BOBINA DUN N° 1201 V1 MBZRDLE410-412	BOBINA DUN N° 1201 V1 MBZRDLE410-412	1

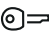
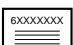
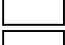
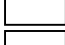
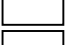

			DE NL	FR ES	IT	
		13017276	SPULE DUN N° 1231 V1 MBZRDLE420 SPOEL DUN N° 1231 V1 MBZRDLE420	BOBINE DUN N° 1231 V1 MBZRDLE420 BOBINA DUN N° 1231 V1 MBZRDLE420	BOBINA DUN N° 1231 V1 MBZRDLE420	1
4140		13007901	FILEREINSATZ GITTER MB..420 FILTERELEMENT ROOSTER MB..420 /512 /520	ELEMENT FILTRANT GRILLE MB..420 ELEMENTO FILTRANTE REJA MB..420	ELEMENTO FILTRANTE GRIGLIA MB..420	1
		13016011	FILEREINSATZ MB..405-407 FILTERELEMENT MB..405-407	ELEMENT FILTRANT MB..405-407 ELEMENTO FILTRANTE MB..405-407	ELEMENTO FILTRANTE MB..405-407	1
		13016012	FILEREINSATZ MB..410-412 FILTERELEMENT MB..410-412	ELEMENT FILTRANT MB..410-412 ELEMENTO FILTRANTE MB..410-412	ELEMENTO FILTRANTE MB..410-412	1
		65326948	FILEREINSATZ D20 /MB..405/407 FILTERELEMENT D20 /MB..405/407	ELEMENT FILTRANT D20 /MB..405/407 ELEMENTO FILTRANTE D20 /MB..405/407	ELEMENTO FILTRANTE D20 /MB..405/407	1
		65327438	FILEREINSATZ D30 / MB..410/412 FILTERELEMENT D30 / MB..410/412	ELEMENT FILTRANT D30 / MB..410/412 ELEMENTO FILTRANTE D30 / MB..410/412	ELEMENTO FILTRANTE D30 / MB..410/412	1
4200		65300575	O-RINGSATZ D70X3+D36X3 (2)+D11X2/MB..407 O-RINGSET D70X3+D36X3 (2)+D11X2/MB..407	KIT O-RING D70X3+D36X3 (2)+D11X2/MB..407 KIT O-RING D70X3+D36X3 (2)+D11X2/MB..407	KIT O-RING D70X3+D36X3 (2)+D11X2/MB..407	1
		65300576	O-RINGSATZ D70X3+D50X3 (2)+D11X2/MB..412 O-RINGSET D70X3+D50X3 (2)+D11X2/MB..412	KIT O-RING D70X3+D50X3 (2)+D11X2/MB..412 KIT O-RING D70X3+D50X3 (2)+D11X2/MB..412	KIT O-RING D70X3+D50X3 (2)+D11X2/MB..412	1
		65300671	O-RINGSATZ D70X3+D86X3 (2)D11X2/MB..420 O-RINGSET D70X3+D86X3 (2)D11X2/MB..420	KIT O-RING D70X3+D86X3 (2)D11X2/MB..420 KIT O-RING D70X3+D86X3 (2)D11X2/MB..420	KIT O-RING D70X3+D86X3 (2)D11X2/MB..420	1
4300		13007859	FLANSCH MB420 RP2 + DRUCKSTECKER FLENS MB420 RP2 + AFTAKKING DRUK	BRIDE MB420 RP2 + PRISE PRESSION BRIDA MB420 RP2 + TOMA DE PRESIÓN	FLANGIA MB420 RP2 + PRESA PRESSIONE	1
		13022858	FLANSCH MB412 RP1 1/4 FLENS MB412 RP1 1/4	BRIDE MB412 RP1 1/4 BRIDA MB412 RP1 1/4	FLANGIA MB412 RP1 1/4	1
		65300658	FLANSCH MB405/407 RP3/4 + DRUCKSTECKER MONTAGEFLENS MB405/407 + AFTAKKING DRUK	BRIDE MB405/407 RP3/4 + PRISE PRESSION BRIDA MB405/407 RP3/4 + TOMA DE PRESIÓN	FLANGIA MB405/407 RP3/4 +PRESA PRESSIONE	1

					
1010	65300808	ИЗОЛЯЦИЯ ВОЗДУШНОГО БЛОКА İZOLASYONU HAVA KUTUSU	ISOLAMENTO CAIXA DE ENTRADA DE AR	IZOLACJA OBUDOWA UKŁADU POWIETRZA	1
1020	13017364	ЗАСЛОН.РЕЦИРК.ВОЗДУХА 119/114X60(ЧЕРНЫЙ) HAVA GERİ DÖNÜŞÜMÜ 119/114X60 78°(SIYAH)	RECICLAGEM DE AR 119/114X60 78° (PRETO)	RECYRKUL.POWIETR. 119/114X60 78°(CZARNY)	1
1030	65300715	ТРАНСФО РОЗЖИГА ЕВІ 1Х11 230V ATEŞLEME TRAFÖ. EBI 1X11 230V+TOPRAK SO.	TRANSFO IGNIÇÃO EBI 1X11 230V	TRANSFOZAPL.EBI 1X11 230V+UZIEMI.ZŁĄCZE	1
1040	13016845	МУФТА ПРОПУСКА ПРОВОДА/КАРТЕР KABLO KANALI/KARTER	PASSA-CABOS/CAIXA	PRZELOTKA PRZEWODU/OBUDOWA	1
1050	65300810	ВОЗДУШНАЯ ЗАСЛОНКА HAVA KLAPESI	ALETA DE AR	PRZEPUSTNICA POWIETRZA	1
1060	65300527	СЕРВОДВИГАТ. STE 4,5 B0.37/6-R +КАБЕ. L600 SERVOMOTOR STE 4,5 B0.37/6-R KABLO L600	SERVOMOTOR STE 4,5 B0.37/6-R +CABO L600	SERWOMOTOR STE 4,5 B0.37/6-R +KABEL L600	1
1070	13011096	РАБОЧЕЕ КОЛЕСО D180X75 D12,7 TÜRBİN D180X75 D12,7	TURBINA D180X75 D12,7	WIMIK D180X75 D12,7	1
1080	13011186	РЕЗИНОВАЯ ВОРОНКА DIM34X15/12 - 1XD.6,20 KABLO KANALI DIM34X15/12 - 1XD.6,20	FUNIL DIM34X15/12 - 1XD.6,20	PRZELOTKA DIM34X15/12 - 1XD.6,20	1
1081	13020685	МУФТА ПРОПУСКА ПРОВОДА D34x15/12 1xD3,25 KABLO KANALI DIM34x15/12 1xD3,25	PASSA-FIO DIM34x15/12 1xD3,25	PRZELOTKA PRZEWODU D34x15/12 1xD3,25	1
1090	65300568	ПЛАСТИНА ПЕРЕКРЫВАНИЯ KARAMA PLAKASI	PLACA DE BLOQUEIO	PLYTA ZAMYKAJĄCA	1
1100	13007807	СМОТРОВОЕ ОКНО D14/D18 RÖGAR CAMI D14/D18	VIGIA D14/D18	SZKŁO PODGLĄDU D14/D18	1
1110	65300812	ЧЕХОЛ VECTRON4+ВИНТ КРЕПЛЕНИЯ MUHAFAZA KARAĞI VECTRON4+BAĞLANTI VIDA	EXTRATOR VECTRON4+PARAFUSO DE FIXAÇÃO	POKRYWA VECTRON4+SRUBA MOCUJĄCA	1
1120	65300519	ВИНТ С ПЛОСКОЙ ГОЛОВКОЙ M5X15 DÜZ BAŞLI VIDA M5X15	PARAFUSO CABEÇA PLANA M5X15	ŚRUBA Z ŁBEM NITOWYM PŁASKIM M5X15	1
1130	65327491	ОТБОР ДАВЛЕНИЯ G1/8+TUBE D4/6 L53 90° BASINÇ GİRİŞİ G1/8+TUBE D4/6 L53 90°	TOMADA P.AR G1/8+TUBO D4/6 L53 90°	GNAZDO P.CIŚNIEN.G1/8+TUBE D4/6 L53 90°	1
1140	13015497	ТРУБА D4/7 L500 СИЛИКОНОВЫЙ BORU D4/7 L500 SILIKON	MANGUEIRA D4/7 L500 SILICONE	PRZEWÓD D4/7 L500 SILIKON	1
1150	65301178	КОНДЕНСАТОР 16µF 2P 3MM KONDENSATOR 16µF 2P 3MM	CAPACITOR 16µF 2P 3MM	KONDENSATOR 16µF 2P 3MM	1
1160	65300813	ЭЛЕКТРОДВИГАТЕЛЬ 0,42KW 230V D12,7 MOTORU 0,42KW 230V D12,7	MOTOR 0,42KW 230V D12,7	SILNIK 0,42KW 230V D12,7	1
1170	13020723	КРОНШТЕЙН ПНЕВМОРЕЛЕ D32 HAVA BASINÇ ŞALTERİ MESNEDİ D32	BASE MANÓSTATO AR D32	WSPORNIK CZUJNIKA CIŚNI. POWIET. D32	1
1180	13020722	РЕЛЕ ДАВ. ВОЗДУХА 604.92 1-10MB+RAST HAVA BASINÇ ŞALT. 604.92 1-10MB+RAST	MANÓSTATO DE AR 604.92 1-10MB+RAST	CZUJNIK CIŚ. POW. 604.92 1-10MB+RAST	1
1190	65327476	УПЛОТНЕНИЕ ВСПЕНЕННОЕ EPDM D2,3 L485 KÖPÜKLÜ MÜHÜR EPDM D2,3 L485	SELO ESPUMADO EPDM D2,3 L485	USZCZELNIENIE SPIENIONE EPDM D2,3 L485	1
1510	65301069	РЕЛЕ/МОТОР ВЕНТИЛ.+КАБЕЛИ+СОЕДИН. HAVALANDMOT. YEDEK ROELESİ+KABLOL	RELÉ AUX./MOTOR VENTIL.+CABOS+CONNECT.	DODATKOWY PRZEKAŹNIK SILNIKA WENTY.	1
1520	65300158	КАБЕЛЬ ИОНИЗАЦ. MC4/RAST1P L350 İYONIZASYON KABLOSU MC4/RAST1P L350	CABO IONIZACION MC4/RAST1P L350	PRZEWÓD JONIZACYJNY MC4/RAST1P L350	1
1530	65300880	БЛОК УПРАВЛЕНИЯ TCG 211.00 KUTU TCG 211.00	PROGRAMADOR TCG 211.00	MODUŁ TCG 211.00	1
1540	65300524	ОПОРА БЛОКА УПРАВЛЕНИЯ+ДИСПЛЕЙ KUTU DESTEĞİ+EKRAN	SUPORTE UNIDADE DE CONTROLE+VISOR	WSPORNIK MODUŁU+WYŚWIETLACZ	1
1550	65301109	ДИСПЛЕЙ БЛОК УПРАВЛЕНИЯ TCG-TCH REL. 2.2 EKAN İÇİN KUTU TCG-TCH R2.2 + KABLOSU	VISOR/PROGRAMADOR TCG-TCH RELEASE 2.2	WYŚWIETLACZ/MODUŁ TCG-TCH R2.2 + PRZEWÓD	1
1560	65300531	КАБЕЛЬ+ШТЕКЕР WIE. 4P/RAST3P L250 KABLOSU+FIŞ WIE. 4P/RAST3P L250	CABO+TOMADA WIE. 4P/RAST3P L250	PRZEWÓD+WTYCZKA WIE. 4P/RAST3P L250	1
1570	65300570	КАБЕЛЬ ГАЗОВЫЙ КЛАПАН+P.DIN/RAST5P L1500 GAZ VANASI KABLOSU+PLUGDIN/RAST5P L1500	CABO VALVULA GAS+TOMADA DIN/RAST5P L1500	PRZEWÓD ZAWÓR GAZOWY+PL.DIN/RAST5P L1500	1
1580	13023698	КАБЕЛЬ РЕЛЕ ДАВ. ГАЗА+P.DIN/RAST2P L1500 GAZ BAS.ŞALT.KABLOSU+PL.DIN/RAST2P L1500	CABO PRESSOST.GAS+TOMAD.DIN/RAST2P L1500	PRZEWÓD CZUJN.CIŚ.GAZU+DIN/RAST2P L1500	1
1590	65300619	КАБЕЛЬ ТРАНСФО РОЗЖИГА+ШТ.2P/RAST2P L350 KABLOSU ATEŞL. TRAFÖ.+FIŞ 2P/RAST2P L350	CABO TRANSFO IGNIÇÃO+TOM.2P/RAST2P L350	PRZEWÓD TRANSFO ZAPL.+WTY.2P/RAST2P L350	1
1600	13010519	КАБЕЛЬ ЭЛЕКТРОДВИГАТЕЛЬ+P.3P/RAST3P L300 MOTORU KABLOSU+FIŞ 3P/RAST3P L300	CABO MOTOR+TOMADA 3P/RAST3P L300	PRZEWÓD SILNIK+WTYCZKA 3P/RAST3P L300	1
2020	65111864	ДЕФЛЕКТОР D120/30X25 62DRIL. DEFLEKTOR D120/30X25 62DRIL.	DEFLECTOR D120/30X25 62DRIL.	DEFLEKTOR D120/30X25 62DRIL.	1
2021	65324716	ДИФФУЗОР ГАЗА D30/5,5X13 8 DRILL. D2,5 GAZ DIFÜZÖRLER D30/5,5X13 8 DRILL. D2,5	DIFUSOR GAS D30/5,5X13 8 DRILL. D2,5	DYSZ GAZU D30/5,5X13 8 DRILL. D2,5	1
	65324717	ДИФФУЗОР GPL D33/5,5X10 8 DRILL. D1,5 LPG DIFÜZÖRLER D33/5,5X10 8 DRILL. D1,5	DIFUSOR GPL D33/5,5X10 8 DRILL. D1,5	DYSZ LPG D33/5,5X10 8 DRILL. D1,5	1
2040	65324331	ЭЛЕКТРОД ЗАЖИГАНИЯ D10X100 d6,4 D3X7 ATEŞLEYİCİ ELEKTROD D10X100 d6,4 D3X7	ELETRODO ENCENDIDO D10X100 d6,4 D3X7	ELEKTRODA ALU. D10X100 d6,4 D3X7	1
2050	65324694	ОГНЕВАЯ ГОЛОВКА L78 D107/35 4 BRANCH. GAZ KAFA L78 D107/35 4 BRANCH.	CABEÇA GAS L78 D107/35 4 BRANCH.	GŁOWICA GAZ L78 D107/35 4 BRANCH.	1
2051	65324714	ДИФФУЗОР ГАЗА D14/10 L37 OPEN. 3X10 GAZ DIFÜZÖRLER D14/10 L37 OPEN. 3X10	DIFUSOR GAS D14/10 L37 OPEN. 3X10	DYSZ GAZU D14/10 L37 OPEN. 3X10	1

					
	65324715	ДИФФУЗОР ГАЗА D14/8 L37 1 DRILL. D3,25 GAZ DIFÜZÖRLER D14/8 L37 1 DRILL. D3,25	DIFUSOR GAS D14/8 L37 1 DRILL. D3,25	DYSZ GAZU D14/8 L37 1 DRILL. D3,25	1
2052	65324539	КРЫШКА ОГНЕВАЯ ГОЛОВ. D88 L33 2XD6,5 4 BR. TAPA GAZ KAFA D88 L33 2XD6,5 4 BR.	TAMPA CABEÇA GAS D88 L33 2XD6,5 4 BR.	NAKR. GŁOWICA GAZ D88 L33 2XD6,5 4 BR.	1
2060	65320950	ДАТЧИК ИОНИЗАЦИОННОГО D10X100 d6,4d3X100 İYONIZASYON SONDA D10X100 d6,4 D3X100	SONDA IONIZACION D10X100 d6,4 D3X100	SONDA JONIZACYJNY D10X100 d6,4 D3X100	1
2070	65326130	КАБЕЛЬ РОЗЖИГА D4/D4 L1010 ELBOW PLUG ATEŞLEME KABLOSU D4/D4 L1010 ELBOW PLUG	CABO ENCENDIDO D4/D4 L1010 ELBOW PLUG	PRZEWÓD ALU.D4/D4 L1010 ELBOW PLUG	1
	65326132	КАБЕЛЬ РОЗЖИГА D4/D4 L690 ELBOW PLUG ATEŞLEME KABLOSU D4/D4 L690 ELBOW PLUG	CABO ENCENDIDO D4/D4 L690 ELBOW PLUG	PRZEWÓD ALU.D4/D4 L690 ELBOW PLUG	1
2080	65327471	КАБЕЛЬ ИОНИЗАЦИОННОГО D5 L650 D4M/D7F İYONIZASYON KABLOSU D5 L650 D4M/D7F	CABO IONIZACION D5 L650 D4M/D7F	PRZEWÓD JONIZACYJNY D5 L650 D4M/D7F	1
	65327477	КАБЕЛЬ ИОНИЗАЦИОННОГО D5 L790 D4M/D7F İYONIZASYON KABLOSU D5 L790 D4M/D7F	CABO IONIZACION D5 L790 D4M/D7F	PRZEWÓD JONIZACYJNY D5 L790 D4M/D7F	1
2090	65327473	ТРУБКА ГАЗОВЫЕ D35/40 L270 (T1/KN) TUPLU GAZ D35/40 L270 (T1/KN)	TUBO GAS D35/40 L270 (T1/KN)	BORUSU GAZOWY D35/40 L270 (T1/KN)	1
	65327479	ТРУБКА ГАЗОВЫЕ D35/40 L410 (T2/KL) TUPLU GAZ D35/40 L410 (T2/KL)	TUBO GAS D35/40 L410 (T2/KL)	BORUSU GAZOWY D35/40 L410 (T2/KL)	1
2100	65327472	РЕГУЛИР. СТЕРЖЕНЬ NC46-VG4.440 (T1/KN) AYAR ÇUBUĞU NC46-VG4.440 (T1/KN)	HASTE AJUSTE NC46-VG4.440 (T1/KN)	TRZPIEŃ REGULACYJNY NC46-VG4.440 (T1/KN)	1
	65327478	РЕГУЛИР. СТЕРЖЕНЬ NC46-VG4.440 (T2/KL) AYAR ÇUBUĞU NC46-VG4.440 (T2/KL)	HASTE AJUSTE NC46-VG4.440 (T2/KL)	TRZPIEŃ REGULACYJNY NC46-VG4.440 (T2/KL)	1
2110	65300821	РЕГУЛИ. СТЕРЖЕНЬ D8/12/10 L172+SPACER L45 AYAR ÇUBUĞU D8/12/10 L172+SPACER L45	HASTE AJUSTE D8/12/10 L172+ESPAÇADOR L45	TRZPIEŃ REG. D8/12/10 L172+ODSTEPNIK L45	1
2120	65300554	ВЕРНЬЕР+СТОПОРНОЕ КОЛЬЦО VERNİYE+HALKA SEGMAN	ESCALA DE REGULAÇÃO+ANÉIS DE RETENÇÃO	GŁĘBOKOŚCIOMIERZ Z NONIUSZEM+PIERŚCIEŃ S	1
2130	13015499	О-КОЛЬЦО D45X4 O-RING D45X4	O-RING D45X4	O-RING D45X4	1
2140	65327475	СОПЛО ГОРЕЛКИ D150/157/116X277 (T1/KN) BRÜLÖR BORUSU D150/157/116X277 (T1/KN)	TUBO QUEIMADOR D150/157/116X277 (T1/KN)	RURA PALNIKA D150/157/116X277 (T1/KN)	1
	65327480	СОПЛО ГОРЕЛКИ D150/157/116X417 (T2/KL) BRÜLÖR BORUSU D150/157/116X417 (T2/KL)	TUBO QUEIMADOR D150/157/116X417 (T2/KL)	RURA PALNIKA D150/157/116X417 (T2/KL)	1
2141	65301184	ТРУБКА ОТБОРА ДАВЛЕНИЯ ТОП. КАМЕР OSAÇ TERTİBATI BASINÇ BORU. LG.200MM	TUBO DE PRESSÃO FORNALHA COMP.200MM	PRZEWÓD CIŚNIENIA W PALENISKU	1
	65301185	ТРУБКА ОТБОРА ДАВЛЕ. В ПОПОЧНОЙ КАМЕРЕ OSAÇ TERTİBATI BASINÇ BORUSU LG.350MM	TUBO DE PRESSÃO DO FORNO LG.350MM	PRZEWÓD CIŚNIENIA W PALENISKU LG.350MM	1
2150	65327474	ПРОКЛАДКА/ФЛАНЕЦ ГОРЕЛКИ 242X242X8 D161 CONTASI/BRULOR FLANŞI 242X242X8 D161	GAXETA/FLANGE QUEIMADOR 242X242X8 D161	USZCZELKA/KOŁNIERZ PAL. 242X242X8 D161	1
2170	13007804	ВИНТ М6 (ЛЕВ РЕЗЬБ) КРЕПЛ. ТРУБ ГОРЕЛКИ BRÜLÖR TÜRÜ M6 TESPİT VİDASI(SOLA DÖNÜŞ)	PARAFUSO M6 (PASSO ESQ.) TUBO QUEIMADOR	ŚRUBA M6 (LEWOSKRĘTNA) MOC. RURĘ PALNIKA	1
2180	65300557	ВИНТ+ГАЙКА М8Х40 BRÜLOER BORU BAĞLANTISI M8X40	PARAFUSO+PORCA M8X40	MOCOWANIA RURY PALNIKA M8X40	1
2190	13016814	КОМПЛЕКТ 4 ГАЙКИ М10 + ШПИЛЬКИ М10Х40 KIT 4 SOMUNLAR M10 + SAPLAMALAR M10X40	KIT 4 PORÇAS M10+PRISIONEİROS M10X40	ZESTAW 4 NAKRĘTKI M10 + KOŁKI M10X40	1
4005	65300571	КОЛЛЕКТОР В СБОРЕ 1"1/4 - MB...412 MANIFOLD KMPL. 1"1/4 - MB...412	TUBO COMPLETO 1 1/4 - MB...412	KOLEKTOR KOMPL. 1"1/4 - MB...412	1
	65300572	КОЛЛЕКТОР В СБОРЕ 3/4" - MB...407 MANIFOLD KMPL. 3/4" - MB...407	TUBO COMPLETO 3/4 - MB...407	KOLEKTOR KOMPL. 3/4" - MB...407	1
	65300655	КОЛЛЕКТОР В СБОРЕ 2" - MB...420 MANIFOLD KMPL. 2" - MB...420	TUBO COMPLETO 2 - MB...420	KOLEKTOR KOMPL. 2" - MB...420	1
4010	13011367	СТАБИЛИЗАТОР + СТОПОРНОЕ КОЛЬЦО D60 STABILİZATÖR + CİRCİPS D60	ESTABILIZADOR+ANÉIS RETENÇÃO D60	STABILIZATOR+CIRCLIPS D.60	1
4020	13009722	ДАТЧИК ДАВЛЕНИЯ R1/8 R1/8 BASINÇ PRİZİ	TOMADA DE PRESSÃO R1/8	GNIĄZDO CIŚNIENIOWE R1/8	1
4100	13011112	ГАЗОВЫЙ КЛАПАН MBZRDLE407B01S50 RP3/4 GAZ VANASI MBZRDLE407 B01S50 RP3/4 GW150	VALVULA GAS MBZRDLE407 B01 S50 RP3/4	ZAWÓR GAZOWY MBZRDLE407 B01 S50 GW150	1
	13012275	ГАЗОВЫЙ КЛАПАН MBZRDLE412B01S20 RP11/4 GAZ VANASI MBZRDLE412 B01 S20 RP1"1/4	VALVULA GAS MBZRDLE412 B01 S20 RP11/4	ZAWÓR GAZ.MBZRDLE412 B01 S20 RP1 1/4	1
	65300664	ГАЗОВЫЙ КЛАПАН MBZRDLE420 B01 S20 RP2" GAZ VANASI MBZRDLE420 B01 S20 RP2"	VALVULA GAS MBZRDLE420 B01 S20 RP2"	ZAWÓR GAZOWY MBZRDLE420 B01 S20 RP2"	1
4110	13010078	РЕЛЕ ДАВ. ВОЗДУХА GW 150 A5 5-150MB GAZ BASINÇ ŞALT. GW 150 A5 5-150MB	PRESSOSTATO GAS GW 150 A5 5-150MB	CZUJNIK CIŚ. GAZU GW 150 A5 5-150MB	1
4120	13010073	ОБОТКА DUN N° 1150 V2 MBZRDLE405-407 BOBIN DUN N° 1150 V2 MBZRDLE405-407	BOBINA DUN N° 1150 V2 MBZRDLE405-407	CEWKA DUN N° 1150 V2 MBZRDLE405-407	1
	13012272	ОБОТКА DUN N° 1250 V2 MBZRDLE410-412 BOBIN DUN N° 1250 V2 MBZRDLE410-412	BOBINA DUN N° 1250 V2 MBZRDLE410-412	CEWKA DUN N° 1250 V2 MBZRDLE410-412	1
	13017275	ОБОТКА DUN N° 1350 V2 MBZRDLE420 BOBIN DUN N° 1350 V2 MBZRDLE420	BOBINA DUN N° 1350 V2 MBZRDLE420	CEWKA DUN N° 1350 V2 MBZRDLE420	1
4130	13010072	ОБОТКА DUN N° 1101 V1 MBZRDLE405-407 BOBIN DUN N° 1101 V1 MBZRDLE405-407	BOBINA DUN N° 1101 V1 MBZRDLE405-407	CEWKA DUN N° 1101 V1 MBZRDLE405-407	1
	13012273	ОБОТКА DUN N° 1201 V1 MBZRDLE410-412 BOBIN DUN N° 1201 V1 MBZRDLE410-412	BOBINA DUN N° 1201 V1 MBZRDLE410-412	CEWKA DUN N° 1201 V1 MBZRDLE410-412	1

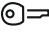


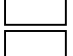


	13017276	ОБМОТКА DUN № 1231 V1 MBZRDLE420 BOBIN DUN № 1231 V1 MBZRDLE420	BOBINA DUN № 1231 V1 MBZRDLE420	CEWKA DUN № 1231 V1 MBZRDLE420	1
4140	13007901	ФИЛЬТРУЮЩИЙ ЭЛЕМЕНТ СЕТКА MB..420 FILTRE ELEMANI KAFES MB..420	ELEMENTO FILTRANTE GRADE MB..420	WKŁAD FILTRA KRATA MB..420	1
	13016011	ФИЛЬТРУЮЩИЙ ЭЛЕМЕНТ MB..405-407 FILTRE ELEMANI MB..405-407	ELEMENTO FILTRANTE MB..405-407	WKŁAD FILTRA MB..405-407	1
	13016012	ФИЛЬТРУЮЩИЙ ЭЛЕМЕНТ MB..410-412 FILTRE ELEMANI MB..410-412	ELEMENTO FILTRANTE MB..410-412	WKŁAD FILTRA MB..410-412	1
	65326948	ФИЛЬТРУЮЩИЙ ЭЛЕМЕНТ D20 /MB..405/407 FILTRE ELEMANI D20 /MB..405/407	ELEMENTO FILTRANTE D20 /MB..405/407	WKŁAD FILTRA D20 /MB..405/407	1
	65327438	ФИЛЬТРУЮЩИЙ ЭЛЕМЕНТ D30 / MB..410/412 FILTRE ELEMANI D30 / MB..410/412	ELEMENTO FILTRANTE D30 / MB..410/412	WKŁAD FILTRA D30 / MB..410/412	1
4200	65300575	О-КОЛЬЦА D70X3+D36X3 (2)+D11X2/MB..407 O-RING KIT D70X3+D36X3 (2)+D11X2/MB..407	KIT O-RING D70X3+D36X3 (2)+D11X2/MB..407	ZEST.O-RING D70X3+D36X3 (2)+D11X2/MB.407	1
	65300576	О-КОЛЬЦА D70X3+D50X3 (2)+D11X2/MB..412 O-RING KIT D70X3+D50X3 (2)+D11X2/MB..412	KIT O-RING D70X3+D50X3 (2)+D11X2/MB..412	ZEST.O-RING D70X3+D50X3 (2)+D11X2/MB.412	1
	65300671	О-КОЛЬЦА D70X3+D86X3 (2)D11X2/MB..420 O-RING KITI D70X3+D86X3 (2)D11X2/MB..420	KIT O-RING D70X3+D86X3 (2)D11X2/MB..420	ZEST.O-RING D70X3+D86X3 (2)D11X2/MB..420	1
4300	13007859	ФЛАНЕЦ MB420 RP2 + ПРИНИМАЯ ДАВЛЕНИЕ FLANŞI MB420 RP2 + ALARAK BASINÇ	FLANGE MB420 RP2 + TOMADA PRESSÃO	KOŁNIERZ MB420 RP2 + WTYCZKA CIŚNIENIA	1
	13022858	ФЛАНЕЦ MB412 RP1 1/4 FLANŞI MB412 RP1 1/4	FLANGE MB412 RP1 1/4	KOŁNIERZ MB412 RP1 1/4	1
	65300658	ФЛАНЕЦ MB405/407 RP3/4+ПРИНИМАЯ ДАВЛЕНИЕ FLANŞI MB405/407 RP3/4 + ALARAK BASINÇ	FLANGE MB405/407 RP3/4 + TOMADA PRESSÃO	KOŁNIERZ MB405/407 RP3/4+WTYCZKA CIŚNIE.	1

CB-VG4 DE
Gas burners

					
---	---	---	---	---	---

CB-VG4 D E

Gas burners

					
---	---	---	---	---	---



CB-VG4 D E

Gas burners

К О Н Т А К Т Ы

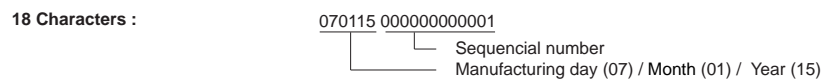
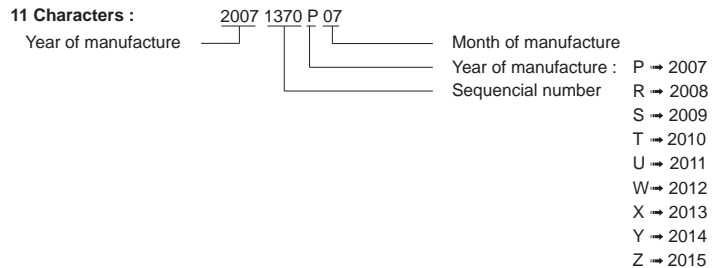
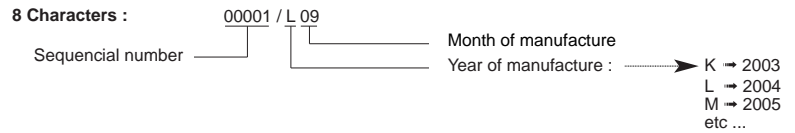
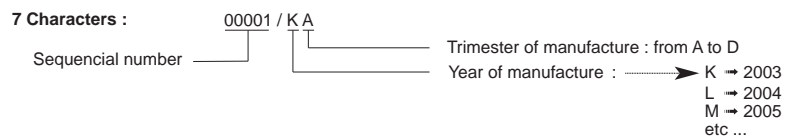
Distributor in Russia "Teplopartner" LTD
 Russia, Krasnodar city, Stasova street, 184, office 4
 Tel./fax.: 8 (861) 234 23 83, +7 (961) 854 41 24
 www.gorelka-kotel.ru info@gorelka-kotel.ru

LIST OF THE ABBREVIATIONS

-  : Maintenance parts / Pièces d'entretien / Materiali di consumo /
 : Piezas de mantenimiento / Hilfsmaterial / Onderhoudsonderdelen
-  : Wearing parts / Pièces d'usure / Parti di usura
 : Piezas de desgaste / Verschleissteile / Slijtageonderdelen
- * : Item not stocked, manufactured to order / Article non stocké, fabrication à la demande /
 : Articolo non a magazzino, produzione all'ordine / Artículo no almacenado, fabricación previa solicitud /
 : Keine Lagerware, wird bei Bedarf bestellt, Artikel niet op voorraad, fabricage op bestelling

IDENTIFICATION PLATE

SERIAL NUMBER



The indications mentioned on the prices, commercial or technical literature and the scheme are written for your guidance and are available at a given time. The CONSTRUCTOR retains the power to modify the presentation, the form, the size, the conception or the material of the products.