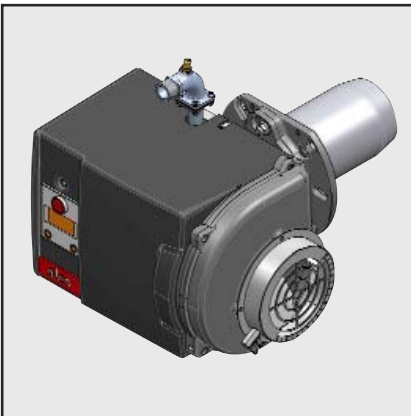


P1.40 G- U/TCG
P1.70 G- U/TCG
P1.105 G- U/TCG
P2.130 G- U/TCG

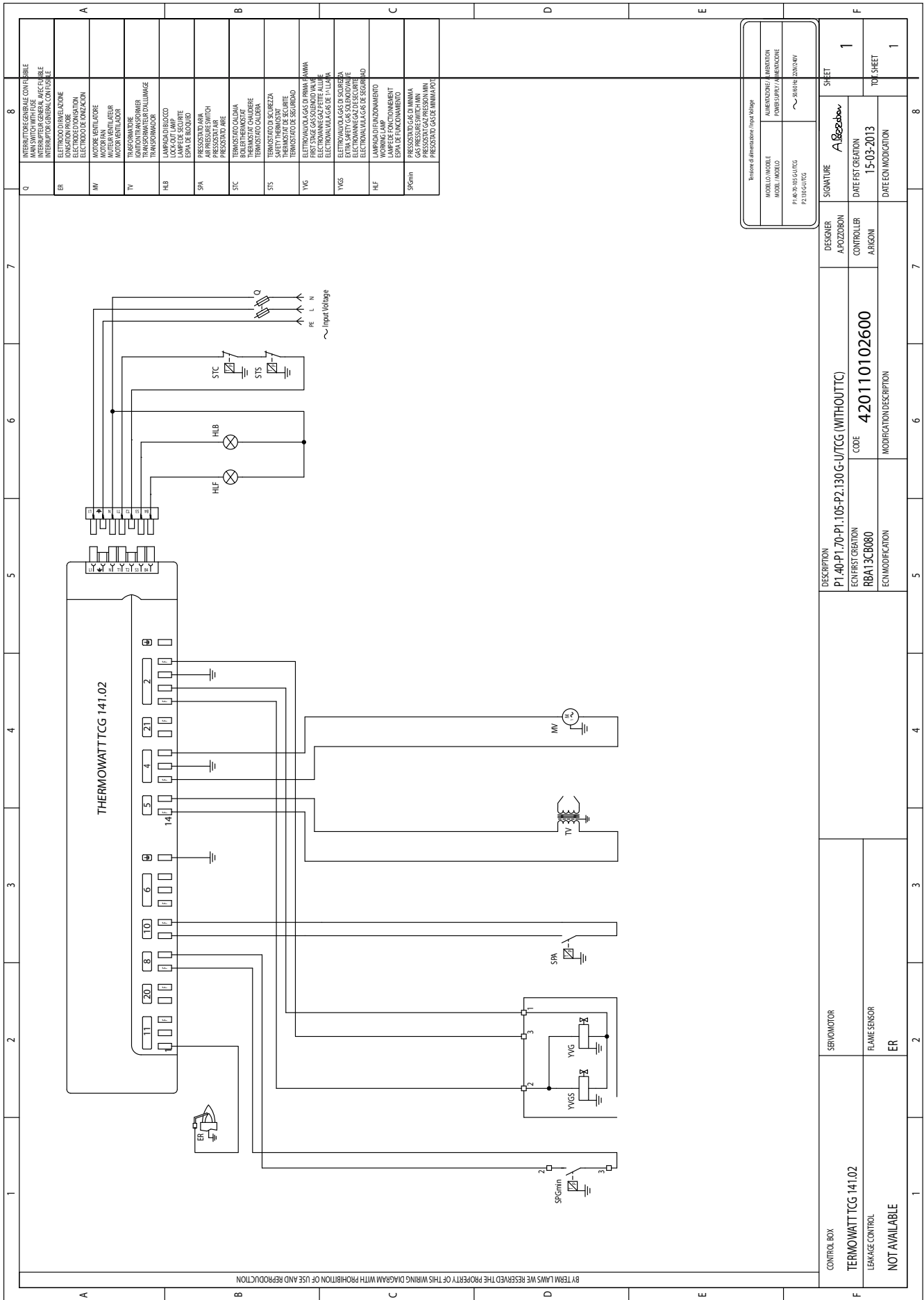


Электрические и гидравлические схемы
Esquemas eléctrico y hidráulico
Esquemas elétrico e hidráulico
Schemat elektryczny i hydrauliczny
Elektrik ve hidrolik şemalar

.....420110102600
.....420110102700



| | |
|---------------------------|---------|
| CB-P1.40 G- U/TCG KN | 3143429 |
| CB-P1.40 G- U/TCG KL | 3143430 |
| CB-P1.40 G- U/TCG /TC KN | 3143431 |
| CB-P1.40 G- U/TCG /TC KL | 3143432 |
| CB-P1.70 G- U/TCG KN | 3143433 |
| CB-P1.70 G- U/TCG KL | 3143434 |
| CB-P1.70 G- U/TCG /TC KN | 3143435 |
| CB-P1.70 G- U/TCG /TC KL | 3143436 |
| CB-P1.105 G- U/TCG KN | 3143437 |
| CB-P1.105 G- U/TCG KL | 3143438 |
| CB-P1.105 G- U/TCG /TC KN | 3143439 |
| CB-P1.105 G- U/TCG /TC KL | 3143440 |
| CB-P2.130 G- U/TCG KN | 3143441 |
| CB-P2.130 G- U/TCG KL | 3143442 |
| CB-P2.130 G- U/TCG /TC KN | 3143443 |
| CB-P2.130 G- U/TCG /TC KN | 3143923 |
| CB-P2.130 G- U/TCG /TC KL | 3143444 |

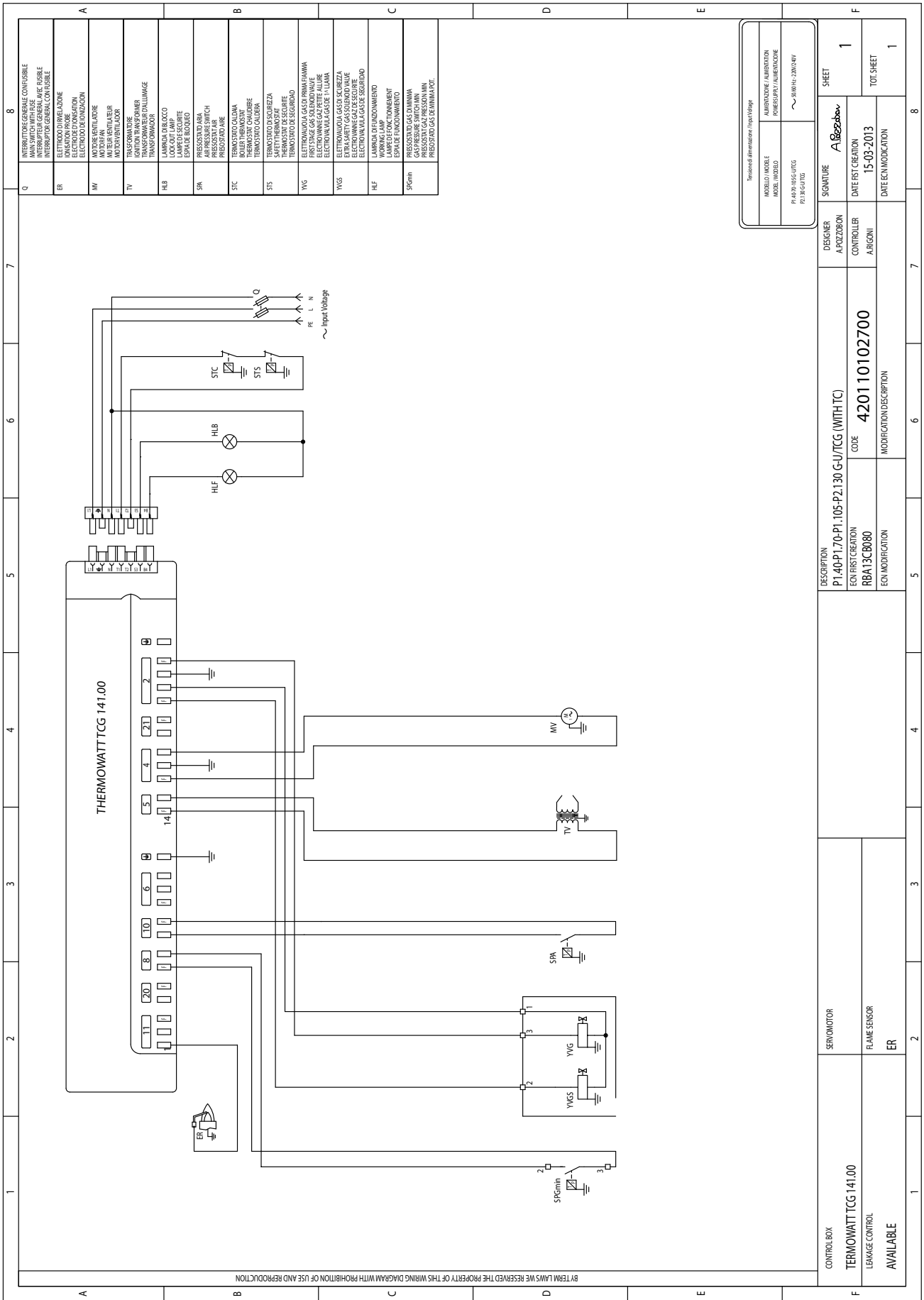


BY THE LINES WE RESERVE THE PROPERTY OF THIS WIRING DIAGRAM WITH PROHIBITION OF USE AND REPRODUCTION

| | |
|--|------------------------------|
| Trasmissione di alimentazione: Input Voltage | |
| MODELLO / MODEL | ALIMENTAZIONE / ALIMENTATION |
| MODEL / MODELO | POWER SUPPLY / ALIMENTACIONE |
| PI.40-P1.70-PI.105-P2.130-G-U/TCG | ~ 230V/50Hz 200V/60Hz |
| P2.130-G/TCG | |

| | | | | | |
|--|----------------------------------|---|---------------------------|-----------------------------------|------------------|
| CONTROL BOX THERMOWATT TCG 141.02 LEAKAGE CONTROL NOT AVAILABLE | SERVOMOTOR FLAME SENSOR ER | DESCRIPTION PI.40-P1.70-PI.105-P2.130-G-U/TCG (WITHOUT TC) | DESIGNER A.FAZZORRON | DATE FIRST CREATION 15-03-2013 | SHEET 1 |
| | | RBA13CB080 ECONOMIZATION | CONTROLLER A.FAZZORRON | DATE ECO MODIFICATION | TOTAL SHEET 1 |





| Q | 7 | 8 |
|-------|---|---|
| ER | INTERRUPTORE GENERALE COMFUSIBILE INTERRUPTER GENERAL AVEC FUSIBLE INTERRUPTOR GENERAL CON FUSIBLE | |
| MV | ELETTRODO DI RELAZIONE ELECTRODE DE FONDAZIONE ELECTRODO DE OXIDACION | |
| TV | MOTORE VENTILATORE MOTOR FAN MOTOR VENTILADOR | |
| HLB | TRANSFORMATORE CONVERSION TRANSFORMER TRANSFORMADOR | |
| SP | LAMPADA PIROLOCO LOCK-OUT LAMP LAMPARA DE SEGURIDAD | |
| STC | PRESSOSTATO ARIA AIR PRESSURE SWITCH PRESOSTATO AIRE | |
| STS | TERMOSTATO CALORIA BOLLER THERMOSTAT TERMOSTATO CALDRE THERMOSTAT CALDERA | |
| YV | TERMOSTATO SICUREZZA SAFETY THERMOSTAT THERMOSTAT DE SECURITE THERMOSTATO DE SEGURIDAD | |
| YVGS | TESTER PER GAS ELECTROVALVOLA GAS ELECTROVALVULA GAS DE ALIMENTAZIONE ELECTROVALVULA GAS DE ALIMENTAZIONE ELECTROVALVULA GAS DE ALIMENTAZIONE | |
| HLF | LAMPADA DI FONDIZIONAMENTO LAMP DE FUNDONNEMENT ESPALE FUNDONNEMENT | |
| SPmin | PRESOSTATO GAS DIMINUIVA GAS PRESSURE SWITCH MIN PRESOSTATO GAS DE MINIMAZIONE PRESOSTATO GAS DE MINIMAZIONE | |

| | |
|---|--------------------|
| Tipo e sede di alimentazione / Input Voltage ALIMENTAZIONE / ALIMENTATION PREDISPOSTO PER ALIMENTAZIONE | |
| MODELLO / MODELLO MODEL / MODELO P1.40-P1.70-P1.105-P2.130-G-U/TCG P1.30-G-U/TCG | ~ 9/18/11-220V/24V |

| | | | | |
|--|--------------------------|--------------------------|-----------------------------------|--------------------------|
| CONTROL BOX THERMOWATT TCG 141.00 LEAKAGE CONTROL AVAILABLE | DESIGNER A. POZZOBON | DESIGNER A. POZZOBON | SIGNATURE <i>A. Pozzobon</i> | SHEET 1 |
| | CONTRACTOR A. RIGNOLI | CONTRACTOR A. RIGNOLI | DATE FIRST CREATION 15-03-2013 | TOT. SHEET 1 |
| DESCRIPTION P1.40-P1.70-P1.105-P2.130-G-U/TCG (WITH TC) | | CODE 4201 10102700 | | MODIFICATION DESCRIPTION |
| ECON FIRST CREATION RBA13CB080 | | ECON MODIFICATION | | |