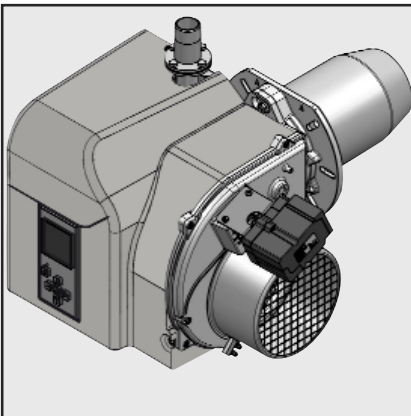


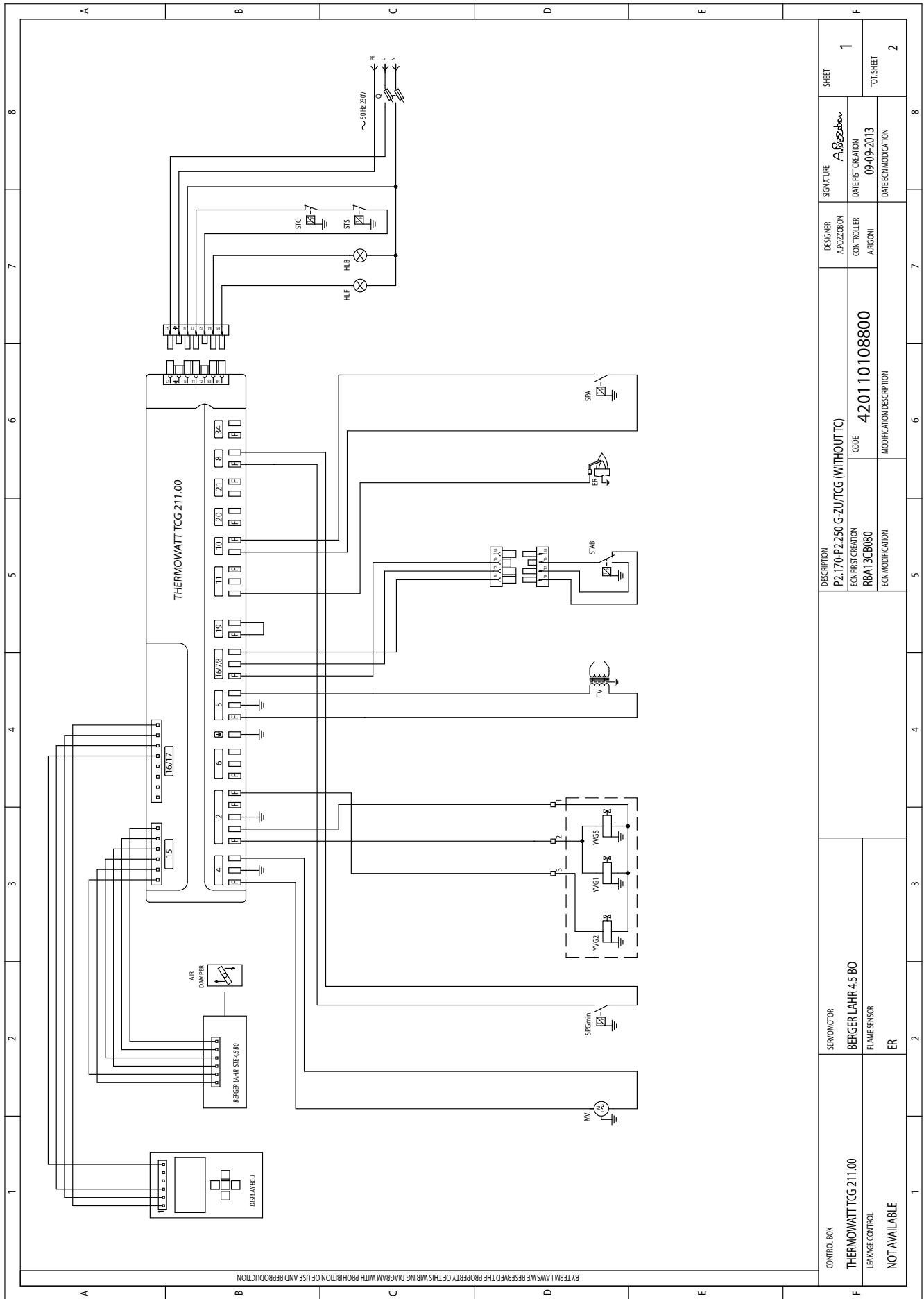


Электрические и гидравлические схемы
Esquemas eléctrico y hidráulico
Esquemas elétrico e hidráulico
Schemat elektryczny i hydrauliczny
Elektrik ve hidrolik şemalar

.....420110108800
.....420110108900



CB-P2.170 G- ZU/TCG KN	3143461
CB-P2.170 G- ZU/TCG KL	3143462
CB-P2.170 G- ZU/TCG /TC KN	3143463
CB-P2.170 G- ZU/TCG /TC KL	3143464
CB-P2.250 G- ZU/TCG KN	3143465
CB-P2.250 G- ZU/TCG KL	3143466
CB-P2.250 G- ZU/TCG /TC KN	3143467
CB-P2.250 G- ZU/TCG /TC KL	3143468

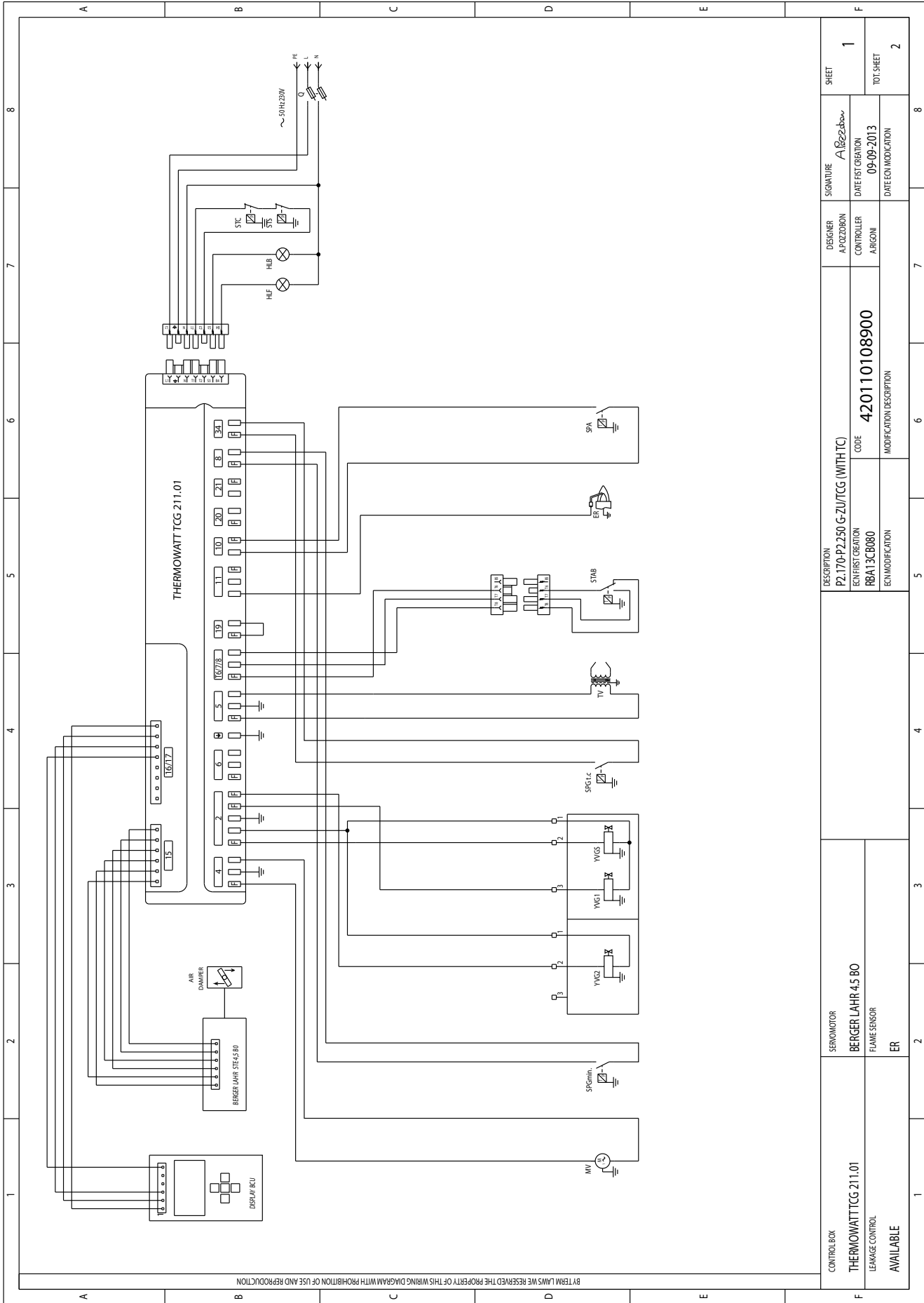


CONTROL BOX THERMOWATT TCG 211.00 LEVERAGE CONTROL NOT AVAILABLE	SERVO MOTOR BERGER LAHR 4.5 B0	DESCRIPTION P2.170-P2.250 G-ZU/TCG (WITHOUT TC)		DESIGNER A. POZZOBON	SIGNATURE A. Rezzobon	SHEET 1
	FLAME SENSOR ER	ECN FIRST CREATION RBA13CB080	ECN FIRST CREATION 420110108800	CONTROLLER A. BIGNONI	DATE FIRST CREATION 09-09-2013	TOT. SHEET 2
		ECN MODIFICATION	MODIFICATION DESCRIPTION		DATE ECN MODIFICATION	



0	INTERITTORE GENERALE CON FUSIBILE MAIN SWITCH WITH FUSE INTERITTEUR GENERAL AVEC FUSIBLE INTERRUPTOR GENERAL CONFUSIBLE														
ER	ELETTRODO DI RIVELAZIONE IONISATION PROBE ELECTRODE D'IONISATION ELECTRODO DE IONIZACION														
MV	MOTORE VENTILATORE MOTOR FAN MOTEUR VENTILATEUR MOTOR VENTILADOR														
FU	FUSIBILE FUSE FUSIBLE FUSIBLE														
SAL	INTERITTORE DI LINEA INTERLOCK SWITCH INTERITTEUR DE LIGNE INTERRUPTOR DE LINEA														
TV	TRASFORMATORE TRANSFORMER TRANSFORMATEUR TRANSFORMADOR														
HLF	LAMPADA DI FUNZIONAMENTO WORKING LAMP LAMPAGE ESPA DE FUNCIONAMIENTO														
HLB	LAMPADA DI BLOCCO LOCKOUT LAMP LAMPE ESCORTE ESPA DE BLOQUEO														
SPA	PRESSOSTATO ARIA AIR PRESSURE SWITCH PRESSOSTAT AIR PRESOSTATO AIRE														
STC	THERMOSTATO CALDAIA BOILER THERMOSTAT THERMOSTAT CHAUDIERE THERMOSTAT CALDERA														
STS	THERMOSTATO DI SICUREZZA SAFETY THERMOSTAT THERMOSTAT DE SECURITE THERMOSTAT CALIBRE														
STAB	THERMOSTATO DI ALTA BASSA FIAMMA HIGH-LOW FLAME THERMOSTAT THERMOSTAT GRANDE-PETITE ALLURE THERMOSTATO DE ALTA-BAJA LLAMA														
YVG1	ELETTROVALVOLA GAS DI PRIMA FIAMMA FIRST STAGE GAS SOLENOID VALVE ELECTROVANNE GAZ PETITE ALLURE ELECTROVALVULA GAS DE 1ª LLAMA														
YVG5	ELETTROVALVOLA GAS DI SICUREZZA EXTRA SAFETY GAS SOLENOID VALVE ELECTROVANNE GAZ DE SECURITE ELECTROVALVULA GAS DE SEGURIDAD														
SPGmin	PRESSOSTATO GAS DI MINIMA GAS PRESSURE SWITCH MIN PRESSOSTAT GAZ PRESSION MIN PRESOSTATO GAS DE MINIMA POT.														
YVG2	ELETTROVALVOLA GAS DI SECONDA FIAMMA SECOND STAGE GAS SOLENOID VALVE ELECTROVANNE GAZ GRANDE ALLURE ELECTROVALVULA GAS DE 2ª LLAMA														
CONTROL BOX THERMOWATT TCG 211.00	SERVOMOTOR BERGER LAHR 4.5 80	DESCRIPTION P2.170-P2.250 G-ZU/TCG (WITHOUT TC)	DESIGNER A. POZZONI	SIGNATURE A. Pozzoni	SHEET 2										
LEAKAGE CONTROL NOT AVAILABLE	FLAME SENSOR ER	IDENTIFICATION RBA13CB080	CONTROLLER A. BIGONI	DATE FIRST CREATION 09-09-2013	TOTAL SHEET 2										
		CODE 4201 10108800		DATE MODIFICATION											
		MODIFICATION DESCRIPTION													

BY THEM LAWS WE RESERVED THE PROPERTY OF THIS WIRING DIAGRAM WITH PROHIBITION OF USE AND REPRODUCTION



BY THE LAMPS WE RESERVE THE PROPERTY OF THIS WIRING DIAGRAM WITH PROHIBITION OF USE AND REPRODUCTION

CONTROL BOX THERMOWATT TCG 211.01 LEAKAGE CONTROL AVAILABLE	SEWIMOTOR BERGER LAHR 4.5 80	DESCRIPTION P2.170-P2.250 G-ZU/TCG (WITH TC) ECON FIRST CREATION RBA13CB080	DESIGNER A. AZZORON	SIGNATURE <i>A. Azzoroni</i>	SHEET 1
	FLAME SENSOR ER		DATE FIRST CREATION 09-09-2013	DATE ECON MODIFICATION	TOT. SHEET 2
		CODE 420110108900			
		MODIFICATION DESCRIPTION			



1	2	3	4	5	6	7	8
Q	INTERRUTTORE GENERALE CON FUSIBILE MAIN SWITCH WITH FUSE INTERRUPTEUR GENERAL AVEC FUSIBLE INTERRUPTOR GENERAL CON FUSIBLE						
ER	ELETTRODO DI RIBELAZIONE IONISATION PROBE ELECTRODE D'IONISATION ELECTRODO DE IONIZACION						
MV	MOTORE VENTILATORE MOTOR FAN MOTEUR VENTILATEUR MOTOR VENTILADOR						
FU	FUSIBILE FUSE FUSIBLE FUSIBLE						
SAL	INTERRUTTORE DI LINEA WORKING SWITCH INTERRUPTEUR DE LIGNE INTERRUPTOR DE LINEA						
TV	TRASFORMATORE TRANSFORMER TRANSFORMATEUR TRANSFORMADOR						
HLF	LAMPADA DI FUNZIONAMENTO WORKING LAMP LAMPE DE FONCTIONNEMENT ESPA DE FUNCIONAMIENTO						
HLB	LAMPADA DI BLOCCO LOCK-OUT LAMP LAMPE DE SECURITE ESPA DE BLOQUEO						
SPA	PRESSOSTATO ARIA AIR PRESSURE SWITCH PRESOSTAT AIR PRESOSTATO AIRE						
STC	TERMOSTATO CALDARA BOILER THERMOSTAT THERMOSTAT CHaudiERE THERMOSTATO CALDERA						
STS	TERMOSTATO DI SICUREZZA SAFETY THERMOSTAT THERMOSTAT DE SECURITE THERMOSTATO DE SEGURIDAD						
STAB	TERMOSTATO ALTA PRESSIONE HIGH LOW LIMIT THERMOSTAT THERMOSTAT GRANDE PÉTIRE ALLURE THERMOSTATO ALTA-BAJA LLAMA						
YWG1	ELETTROVALVOLA GAS DI PRIMA FAMMIA FIRST STAGE GAS SOLENOID VALVE ELECTROVALVULE GAZ PETITE ALLURE ELECTROVALVULA GAS DE 1ª LLAMA						
YWS	ELETTROVALVOLA GAS DI SICUREZZA EXTRA SAFETY GAS SOLENOID VALVE ELECTROVALVULE GAZ DE SECURITE ELECTROVALVULA GAS DE SEGURIDAD						
SP _{min}	PRESSOSTATO GAS DI MINIMA GAS PRESSURE SWITCH MIN PRESOSTAT GAZ PRESSION MIN PRESOSTATO GAS DE MINIMA POT.						
SP _{LC}	PRESSOSTATO PER CONTROLLO DI TENUTA GAS PRESSURE LEAKAGE CONTROL PRESOSTAT POUR LE CONTROLE DES FUGES PRESOSTATO GAS CONTROL DE ESTANQUEIDAD						
YWG2	ELETTROVALVOLA GAS DI SECONDA FAMMIA SECOND STAGE GAS SOLENOID VALVE ELECTROVALVULE GAZ GRANDE ALLURE ELECTROVALVULA GAS DE 2ª LLAMA						
CONTROL BOX	SERVO MOTOR BERGER LAHR 4.5 BO						
LEAKAGE CONTROL	AVAILABLE						
DESCRIPTION	P.2.170-P2.250 G-ZU/TCG (WITH TC)						
ECON FIRST CREATION	RBA13CB080						
ECON MODIFICATION							
CODE	420110108900						
MODIFICATION DESCRIPTION							
DESIGNER	A. POZZORONI						
CONTROLLER	A. RIGNI						
DATE EST. CREATION	09-09-2013						
DATE ECON. MODIFICATION							
SIGNATURE	A. Pozzoroni						
SHEET	2						
TOT. SHEET	2						

BY TEM LAMV SMC RESERVED THE PROPERTY OF THIS WIRING DIAGRAM WITH PROHIBITION OF USE AND REDUCTION