

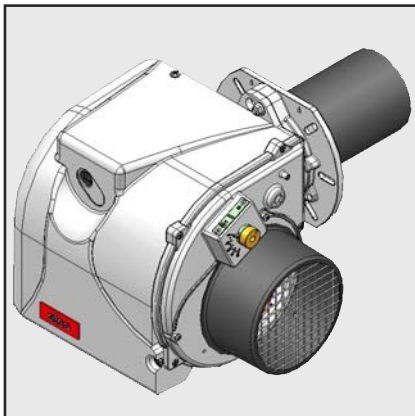
P2.190 L/TEH
P2.240 L/TEH
P2.300 L/TEH

elco

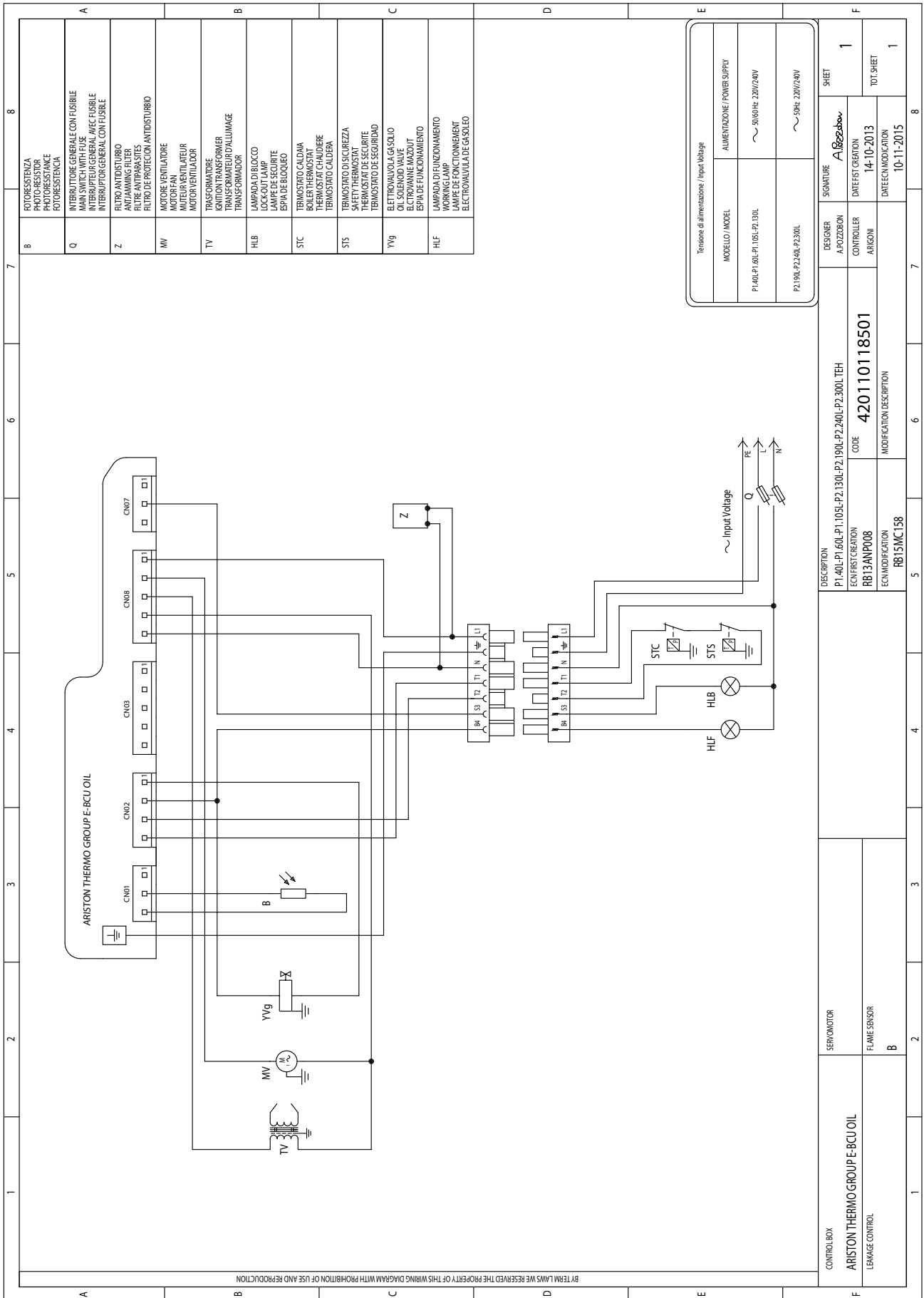


Электрические и гидравлические схемы
Esquemas eléctrico y hidráulico
Esquemas elétrico e hidráulico
Schemat elektryczny i hydrauliczny
Elektrik ve hidrolik şemalar

.....420110118501
.....420110129601



CB-P2.190 L- TEH KN	3143665
CB-P2.190 L- TEH KL	3143666
CB-P2.190 L- TEH SV KN	3143683
CB-P2.190 L- TEH SV KL	3143684
CB-P2.240 L- TEH KN	3143670
CB-P2.240 L- TEH KL	3143671
CB-P2.240 L- TEH SV KN	3143685
CB-P2.240 L- TEH SV KL	3143686
CB-P2.300 L- TEH KN	3143673
CB-P2.300 L- TEH KL	3143674
CB-P2.300 L- TEH SV KN	3143687
CB-P2.300 L- TEH SV KL	3143688

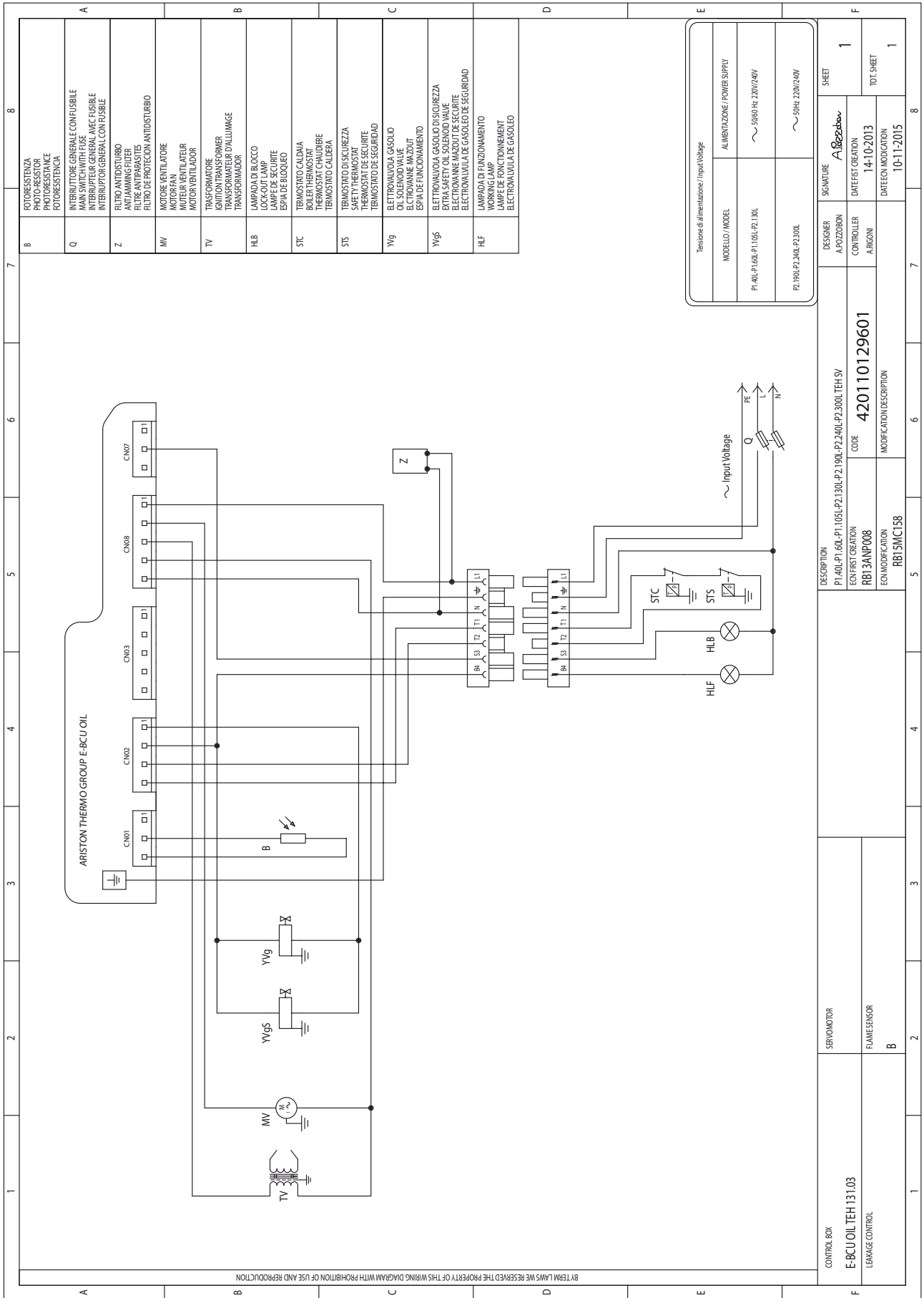


B	FOTORESISTENZA PHOTORESISTANCE FOTORESISTENCIA
Q	INTERRUTTORE GENERALE CON FUSIBILE INTERRUPTEUR GENERAL AVEC FUSIBLE INTERRUPIDOR GENERAL CON FUSIBLE
Z	FILTRO ANTISTURBO ANTIKLAPPFILTER FILTRE ANTIPANSIES FILTRO DE PROTECCION ANTISTURBO
MV	MOTORE VENTILATORE MOTORVENTILATEUR MOTORVENTILADOR
TV	TRASFORMATORE SPANNUNGSTRANSFORMER TRANSFORMATEUR D'ALLUMAGE TRANSFORMADOR
HLB	LAMPADA DI BLOCCO LOCKOUT LAMP LAMPES SECURITE ESPIA DE BLOQUEO
STC	TERMOSTATO CALDAM BOILER THERMOSTAT BOILER THERMOSTAT TERMOSTATO CALDERA
STS	TERMOSTATO DISCUREZZA SAFETY THERMOSTAT SECURITE THERMOSTAT TERMOSTATO DE SEGURIDAD
YVg	ELETTROVALVOLA GASOLIO OIL SOLENOID VALVE GASOLINE SOLENOID VALVE ESPIA DE FUNCIONAMIENTO
HLF	LAMPADA DI FUNZIONAMENTO WORKING LAMP LAMPES FONCTIONNEMENT ELECTROVALVULA DE GASOLEO

Tensione di alimentazione / Input Voltage	
MODELLO / MODEL	ALIMENTAZIONE / POWER SUPPLY
P1.40L-P1.60L-P1.105L-P2.130L	~ 50/60 Hz 230V/240V
P2.190L-P2.240L-P2.300L	~ 50Hz 230V/240V

CONTROL BOX ARISTON THERMO GROUP E-BCU OIL LEAKAGE CONTROL	DESCRIPTION	P1.40L-P1.60L-P1.105L-P2.130L-P2.190L-P2.240L-P2.300L TEH	DESIGNER	SIGNATURE		SHEET	
	ECN FIRST CREATION	RB13ANP008	CONTROLLER	A. Pozzoni		DATE FIRST CREATION	1
	ECN MODIFICATION	RB15MC158	ARGONNE			DATE MODIFICATION	TOT. SHEET
						14-10-2013	1
						10-11-2015	





Tensione di alimentazione / Input Voltage	
MODELLO / MODEL	ALIMENTAZIONE / POWER SUPPLY
P1.40L-P1.60L-P1.105L-P2.130L	~ 50/60 Hz 220V/240V
P2.190L-P2.240L-P2.300L	~ 50Hz 220V/240V

CONTROL BOX E-BCU OIL TEH 131.03 LEAKAGE CONTROL	DESCRIPTION	P1.40L-P1.60L-P1.105L-P2.130L-P2.190L-P2.240L-P2.300L TEH SV		DESIGNER	A. POZZOBON		SHEET	1	
	ECN FIRST CREATION	RB13ANP008		CONTROLLER	A. RIGNON		DATE/FIRST CREATION	14-10-2013	
B	ECN MODIFICATION	RB15MCI58		MODIFICATION/DESCRIPTION			DATE/ECN MODIFICATION	10-11-2015	
			CODE	420110129601		TOT. SHEET		1	