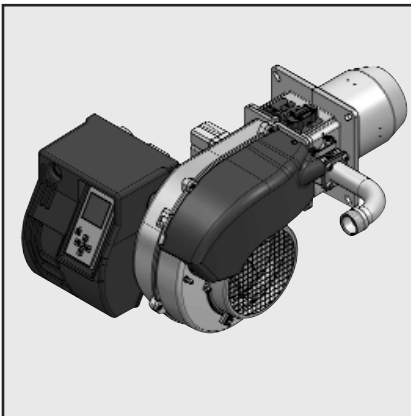


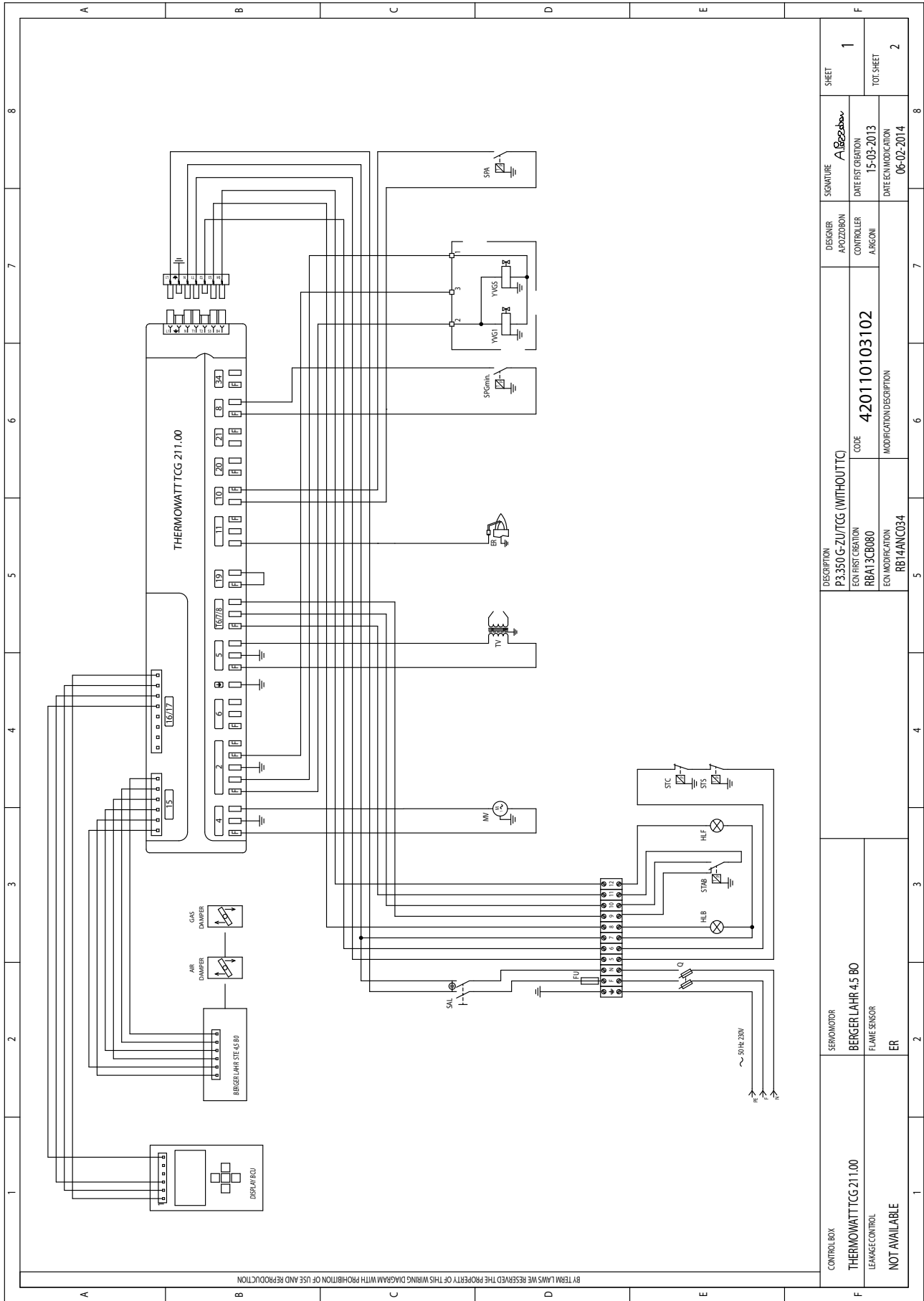


Электрические и гидравлические схемы
Esquemas eléctrico y hidráulico
Esquemas elétrico e hidráulico
Schemat elektryczny i hydrauliczny
Elektrik ve hidrolik şemalar

-420110103102
-420110103203
-420110103301
-420110103401



CB-P3.350 G- ZU/TCG KN	3143469
CB-P3.350 G- ZU/TCG KL	3143470
CB-P3.350 G- ZU/TCG /TC KN	3143471
CB-P3.350 G- ZU/TCG /TC KL	3143472
CB-P3.500 G- ZU/TCG KN	3143473
CB-P3.500 G- ZU/TCG KL	3143474
CB-P3.500 G- ZU/TCG /TC KN	3143475
CB-P3.500 G- ZU/TCG /TC KL	3143476

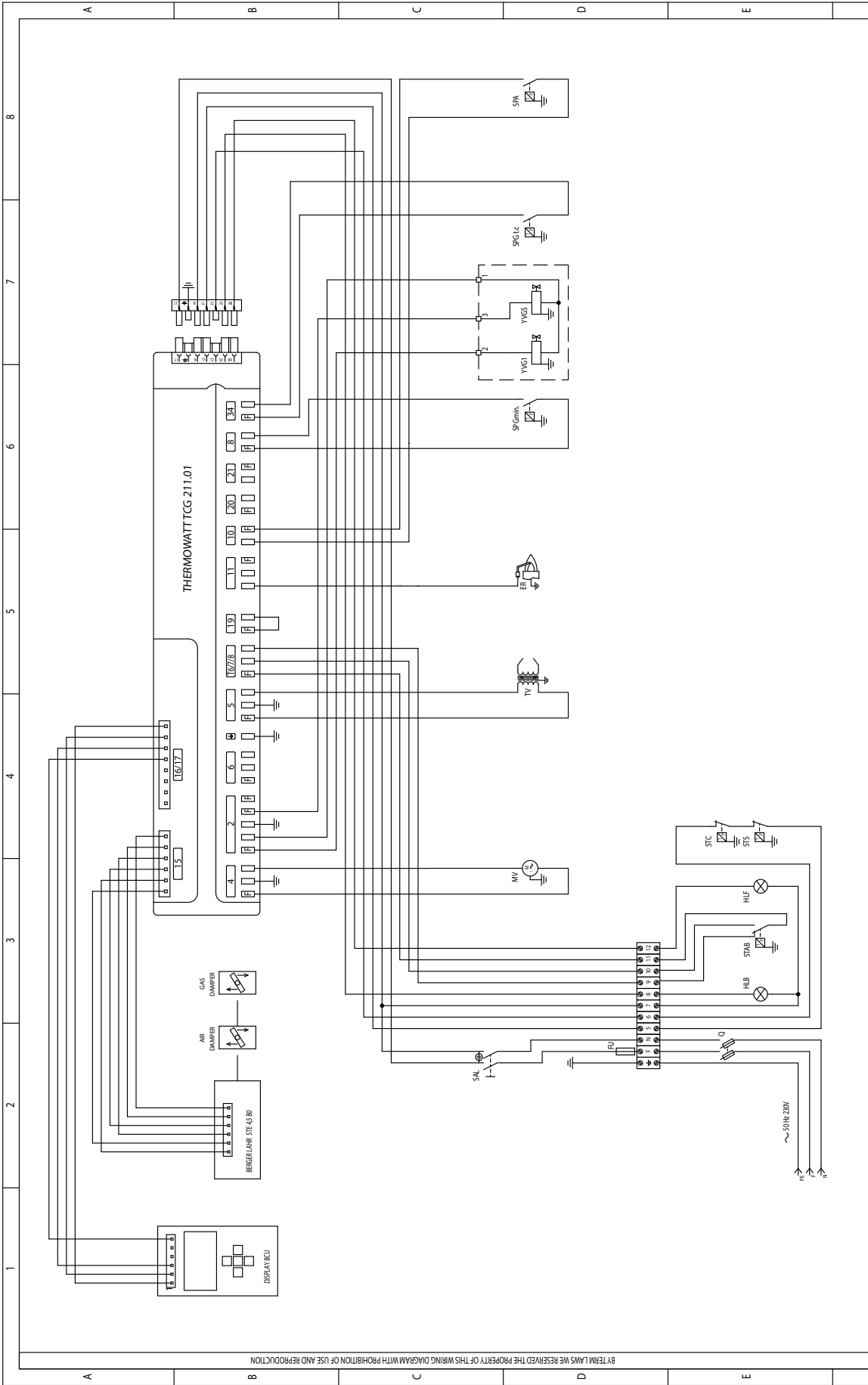


BY TEMU LAMVS WE RESERVE THE PROPERTY OF THIS WIRING DIAGRAM WITH PROHIBITION OF USE AND REPRODUCTION

CONTROL BOX THERMOWATT TCG 211.00 LEAKAGE CONTROL NOT AVAILABLE	SERVOMOTOR BERGER LAHR 4.5 80 FLAME SENSOR ER	DESCRIPTION P.3.350-G-ZUT/TCG (WITHOUTTC)		DESIGNER A.ROZORON	SIGNATURE <i>A. Roazon</i>	SHEET 1
		EEN FIRST CREATION RBA13CB080	CODE 420110103102	CONTROLLER A.RGCOM	DATE FIRST CREATION 15-03-2013	TOT. SHEET 2
		EEN MODIFICATION RB14ANC034	MODIFICATION DESCRIPTION	DATE ENMODIFICATION 06-02-2014		



Q	ER	MV	FU	SAL	TV	H.F	H.LB	SPA	STC	STS	STAB	YGI	YGS	SP6min
INTERUTTORE GENERALE CON FUSIBILE MAIN SWITCH WITH FUSE INTERRUPTEUR GENERAL AVEC FUSIBLE INTERRUPTOR GENERAL CON FUSIBLE	ELETTRODO DI IONIZZAZIONE IONIZATION PORE ELECTRODE D'IONISATION ELECTRODO DE IONIZACION	MOTORE VENTILATORE MOTOR MOTEUR VENTILATEUR MOTOR VENTILADOR	FUSIBILE FUSE FUSIBLE FUSIBLE	INTERUTTORE DI LINEA WORKING SWITCH INTERRUPTEUR DE LIGNE INTERRUPTOR DE LINEA	TRASFORMATORE TRANSFORMER TRANSFORMADOR D'ALLUMAGE TRANSFORMADOR	LAMPADA DI FUNZIONAMENTO WORKING LAMP LAMPE DE FONCTIONNEMENT ESPA DE FUNCIONAMIENTO	LAMPADA DI BLOCCO LOCK-OUT LAMP LAMPE DE SECURITE ESPA DE BLOQUEO	PRESSOSTATO ARIA AIR PRESSURE SWITCH PRESOSTAT AIR PRESOSTATO AIRE	TERMOSTATO CALDAIA BOILER THERMOSTAT THERMOSTAT CHAUDIERE THERMOSTAT CALDERA	TERMOSTATO DI SICUREZZA SAFETY THERMOSTAT THERMOSTAT DE SECURITE THERMOSTAT DE SEGURIDAD	TERMOSTATO DI ALTA-BASSA FIAMMA HIGH-LOW FLAME THERMOSTAT THERMOSTAT GRANDE-PETITE ALLURE THERMOSTATO DE ALTA-BAJA LLAMA	ELETTROVALVOLA GAS DI PRIMA FIAMMA FIRST STAGE GAS SOLENOID VALVE ELECTROVANNE GAZ PETITE ALLURE ELECTROVALVULA GAS DE 1 ^a LLAMA	ELETTROVALVOLA GAS DI SICUREZZA EXTRA SAFETY GAS SOLENOID VALVE ELECTROVANNE GAZ DE SECURITE ELECTROVALVULA GAS DE SEGURIDAD	PRESSOSTATO GAS DI MINIMA GAS PRESSURE SWITCH MIN PRESOSTAT GAZ PRESSION MIN PRESOSTATO GAS DE MINIMA POT.
BY TERM LAYS WE RESERVED THE PROPERTY OF THIS WIRING DIAGRAM WITH PROHIBITION OF USE AND REPRODUCTION														
CONTROL BOX														
THERMOWATT TCG 211.00														
SERVOMOTOR BERGER LAHR 4.5 BO														
LEAKAGE CONTROL FLAME SENSOR														
NOT AVAILABLE ER														
DESCRIPTION P3-350 G-ZU/TCG (WITHOUT TC)														
ECON FIRST CREATION RBA13CB080														
ECON MODIFICATION RB14ANC034														
CODE 420110103102														
MODIFICATION DESCRIPTION														
DESIGNER A. POZZOBON														
CONTROLLER A. RIGNOLI														
SIGNATURE A. Pozzobon														
DATE FIRST CREATION 15-03-2013														
DATE CON MODIFICATION 06-02-2014														
SHEET 2														
TOT. SHEET 2														



CONTROL BOX		SERVOMOTOR		SHEET	
THERMOWATT TCG 211.01		BERGER LAHR 45 80		1	
LEAKAGE CONTROL		FLAME SENSOR		TOT. SHEET	
AVAILABLE		ER		2	
DESCRIPTION		DESIGNER		SIGNATURE	
P3.350 G-ZU/TCG (WITH TC)		A. FOZZORON		A. Bezzobov	
ECN FIRST CREATION		CONTROLLER		DATE FIRST CREATION	
RB113CB080		A. ARGONI		15-03-2013	
ECN MODIFICATION		MODIFICATION DESCRIPTION		DATE ECN MODIFICATION	
RB14ANC034		420110103203		06-02-2014	



		1	2	3	4	5	6	7	8
A									
B									
C									
D									
E									
F									

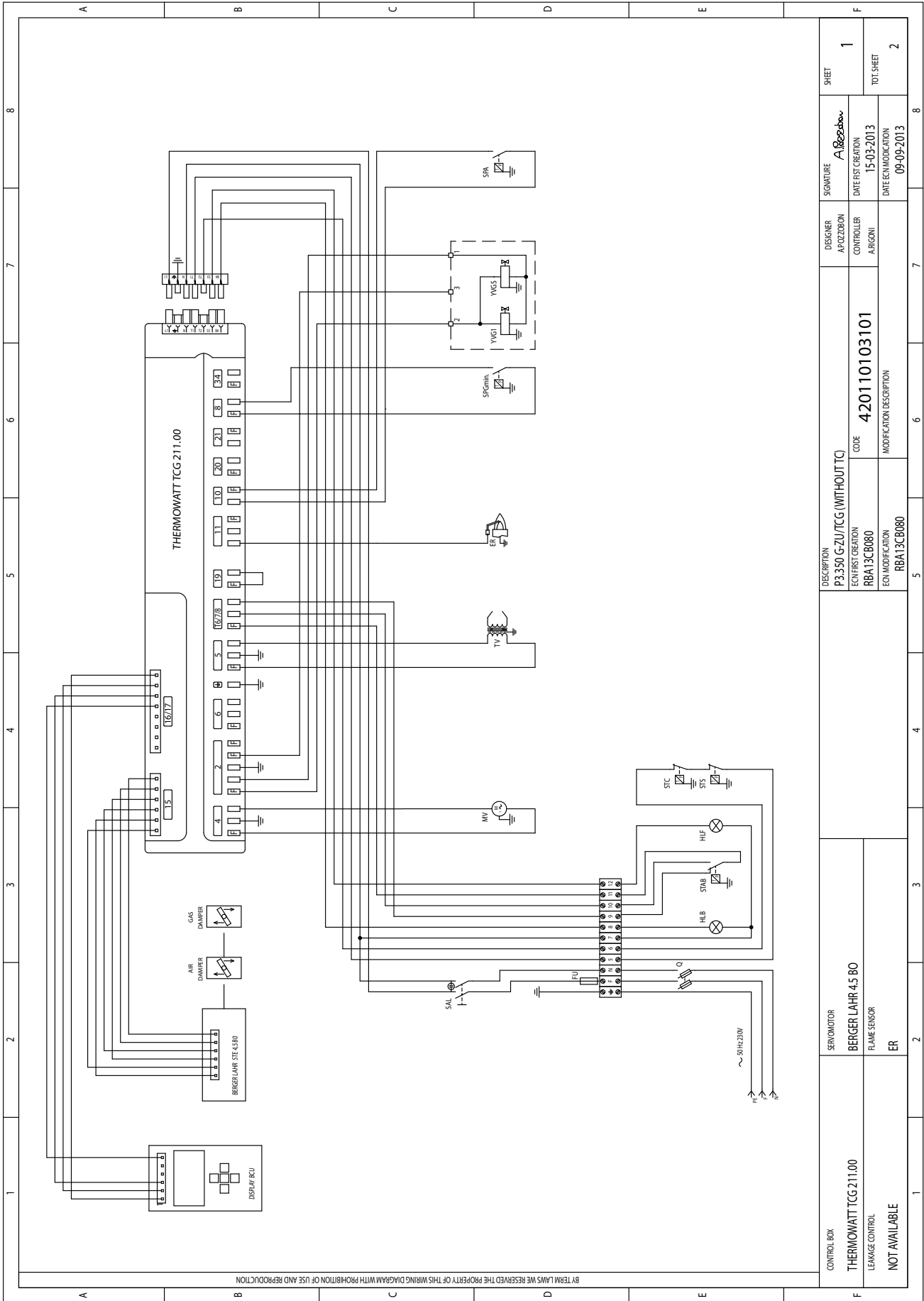
Q	INTERRUTTORE GENERALE CON FUSIBILE MAIN SWITCH WITH FUSE INTERRUPTEUR GENERAL AVEC FUSIBLE INTERRUPTOR GENERAL CON FUSIBLE
ER	ELETTRODO DI RIVELAZIONE IONISATION PROBE ELECTRODE D'IONISATION ELECTRODO DE IONIZACION
MV	MOTORE VENTILATORE MOTOR FAN MOTEUR VENTILATEUR MOTOR VENTILADOR
FU	FUSIBILE FUSE FUSIBLE FUSIBLE
SAL	INTERRUTTORE DI LINEA WORKING SWITCH INTERRUPTEUR DE LIGNE INTERRUPTOR DE LINEA
TV	TRASFORMATORE IGNITION TRANSFORMER TRANSFORMATEUR D'ALLUMAGE TRANSFORMADOR
HLF	LAMPIADA DI FUNZIONAMENTO WORKING LAMP LAMPE DE FONCTIONNEMENT ESPA DE FUNCIONAMIENTO
HLB	LAMPIADA DI BLOCCO LOCK-OUT LAMP LAMPE DE SECURITE ESPA DE BLOQUEO
SPA	PRESSOSTATO ARIA AIR PRESSURE SWITCH PRESOSTAT AIR PRESOSTATO AIRE
STC	TERMOSTATO CALDAIA BOILER THERMOSTAT THERMOSTAT CHAUDIERE TERMOSTATO CALDERA
STS	TERMOSTATO DI SICUREZZA SAFETY THERMOSTAT THERMOSTAT DE SECURITE TERMOSTATO DE SEGURIDAD
STAB	TERMOSTATO DI ALTA BASSA FIAMMA HIGH/LOW FLAME THERMOSTAT THERMOSTAT GRANDE-PETITE ALLURE TERMOSTATO DE ALTA-BAJA LLAMA
YVGI	ELETTROVALVOLA GAS DI PRIMA FIAMMA FIRST FLAME GAS VALVE ELECTROVANNE GAZ PETITE ALLURE ELECTROVALVULA GAS DE 1ª LLAMA
YVGS	ELETTROVALVOLA GAS DI SICUREZZA SAFETY GAS VALVE ELECTROVANNE GAZ SECURITE ELECTROVALVULA GAS DE SEGURIDAD
SPGmin	PRESSOSTATO GAS DI MINIMA GAS PRESSURE SWITCH (MIN) PRESOSTAT GAZ DE MINIMA PRESOSTATO GAS DE MINIMA POT.
SP Lc	PRESSOSTATO PER CONTROLLO DI TENUTA GAS PRESSURE LEAKAGE CONTROL PRESOSTAT POUR LE CONTROLE DE ETANCHEITE PRESOSTATO GAS CONTROL DE ESTANQUEIDAD

CONTROL BOX	SERVOMOTOR
THERMOWATT TCG 211.01	BERGER LAHR 4.5 B0
LEAKAGE CONTROL	FLAME SENSOR
AVAILABLE	ER

DESCRIPTION	DESIGNER	SIGNATURE	SHEET
P3.350 G-ZU/TCG (WITH TC)	APOZZORION	A. Pozzorion	2
EON FIRST CREATION	CONTROLLER	DATE FST CREATION	TOT SHEET
RBA13CB080	ARGONI	15-03-2013	2
EON MODIFICATION		DATE EON MODIFICATION	
RB14ANC034		06-02-2014	

DESCRIPTION	CODE	MODIFICATION/DESCRIPTION
P3.350 G-ZU/TCG (WITH TC)	4201 10103203	
RBA13CB080		
EON MODIFICATION		
RB14ANC034		

BY TBM LAW'S WE RECEIVED THE PROPERTY OF THIS WIRING DIAGRAM WITH PROHIBITION OF USE AND REPRODUCTION



BY TERM LAYS WE RESERVED THE PROPERTY OF THIS WIRING DIAGRAM WITH PROHIBITION OF USE AND REPRODUCTION

CONTROL BOX THERMOWATT TCG 211.00 LEAKAGE CONTROL NOT AVAILABLE	SERVO MOTOR BERGER LAHR 4.5 BO FLAME SENSOR ER	DESCRIPTION P3.350 G-ZU/TCG (WITHOUTTC)	DESIGNER AFOZBON	SIGNATURE A. Bergesbox	SHEET 1
		ECON FIRST CREATION RBA13CB080	CONTROLLER A. RIGONI	DATE FIRST CREATION 15-03-2013	TOT. SHEET 2
		ECON MODIFICATION RBA13CB080		DATE ECON MODIFICATION 09-09-2013	

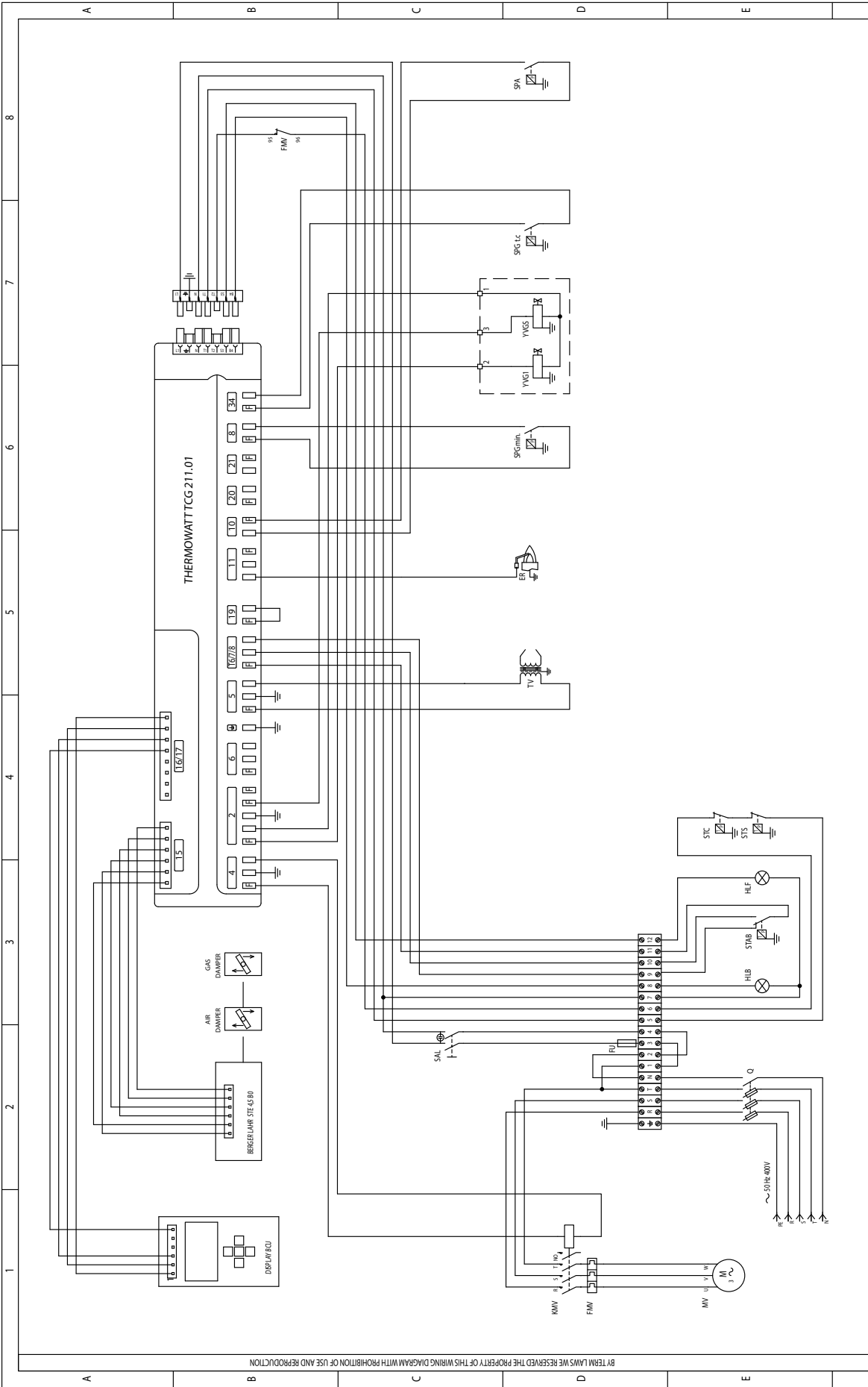


Q	INTERRUTTORE GENERALE CONFUSIBILE MAINS SWITCH WITH FUSE INTERRUPTEUR GENERAL AVEC FUSIBLE INTERRUPTOR GENERAL CONFUSIBLE
ER	ELETTRODO DI RIVELAZIONE IONISATION PROBE ELECTRODED ONSATION ELECTRODO DE ONSAZION
MV	MOTORE VENTILATORE MOTOR FAN MOTEUR VENTILATEUR MOTOR VENTILADOR
FU	FUSIBILE FUSE FUSIBLE FUSIBLE
SAL	INTERRUTTORE DI LINEA WORKING SWITCH INTERRUPTEUR DE LIGNE INTERRUPTOR DE LINEA
TV	TRASFORMATORE IGNITION TRANSFORMER TRANSFORMATEUR D'ALLUMAGE TRANSFORMADOR
HLF	LAMPADA DI FUNZIONAMENTO WORKING LAMP LAMPE DE FONCTIONNEMENT ESPA DE FUNCIONAMIENTO
HLB	LAMPADA DI BLOCCO LOCKOUT LAMP LAMPE DE SECURITE ESPA DE BLOQUEO
SPA	PRESSOSTATO ARIA AIR PRESSURE SWITCH PRESOSTAT AIR PRESOSTAIO AIRE
STC	TERMOSTATO CALDIA BOILER THERMOSTAT THERMOSTAT CHAUDIERE THERMOSIHO CALDERA
STS	TERMOSTATO DI SICUREZZA SAFETY THERMOSTAT THERMOSTAT DE SECURITE THERMOSIHO DE SEGURIDAD
STAB	TERMOSTATO DI ALTA-BASSA FIAMMA HIGH-LOW FLAME THERMOSTAT THERMOSTAT GRAND-PETITE ALLURE THERMOSIHO DE ALTA-BAJA LLAMA
YK1	ELETTROVALVOLA GAS DI PRIMA FIAMMA FIRST STAGE GAS SOLENOID VALVE ELECTROVANNE GAZ PETITE ALLURE ELECTROVALVULA GAS DE 1 ^a LLAMA
YK5	ELETTROVALVOLA GAS DI SICUREZZA EXTRA SAFETY GAS SOLENOID VALVE ELECTROVANNE GAZ DE SECURITE ELECTROVALVULA GAS DE SEGURIDAD
SPmin	PRESSOSTATO GAS DI MINIMA GAS PRESSURE SWITCH MIN PRESOSTAT GAZ PRESSION MIN PRESOSTAIO GAS DE MINIMA POTI

CONTROL BOX	SERVO MOTOR
BERGER WATT TCG 211.00	BERGER LAHR 4.5 BO
LEAKAGE CONTROL	FLAME SENSOR
NOT AVAILABLE	ER

DESCRIPTION	DESIGNER	SIGNATURE	SHEET
P3-350 G-ZU/TCG (WITHOUT TC)	A. POZZOBON	A. Pozzobon	2
ECN FIRST CREATION	CONTROLLER	DATE FIRST CREATION	TOT SHEET
RBA13CB080	A. RIGONI	15-03-2013	2
ECN MODIFICATION	MODIFICATION DESCRIPTION	DATE ECN MODIFICATION	
RBA13CB080		09-09-2013	

BY THESE TERMS I HAVE RESERVED THE PROPERTY OF THIS WIRING DIAGRAM WITH PROHIBITION OF USE AND REPRODUCTION



CONTROLBOX		SERVOMOTOR		DESCRIPTION		DESIGNER		SIGNATURE		SHEET	
THERMOWATT TCG 211.01		BERGER LAHR 4.5 BO		P3.500 G-ZU/TCG (TC)		A. POZZOBON		A. Pozzobon		1	
LEAKAGE CONTROL		FLAME SENSOR		RBA13CB080		CONTROLLER		DATE FST CREATION		TOT. SHEET	
AVAILABLE		ER		RBA13CB080		A.RGONI		15-03-2013		2	
				MODIFICATION DESCRIPTION		DATE ECA MODIFICATION		10-06-2013			



