

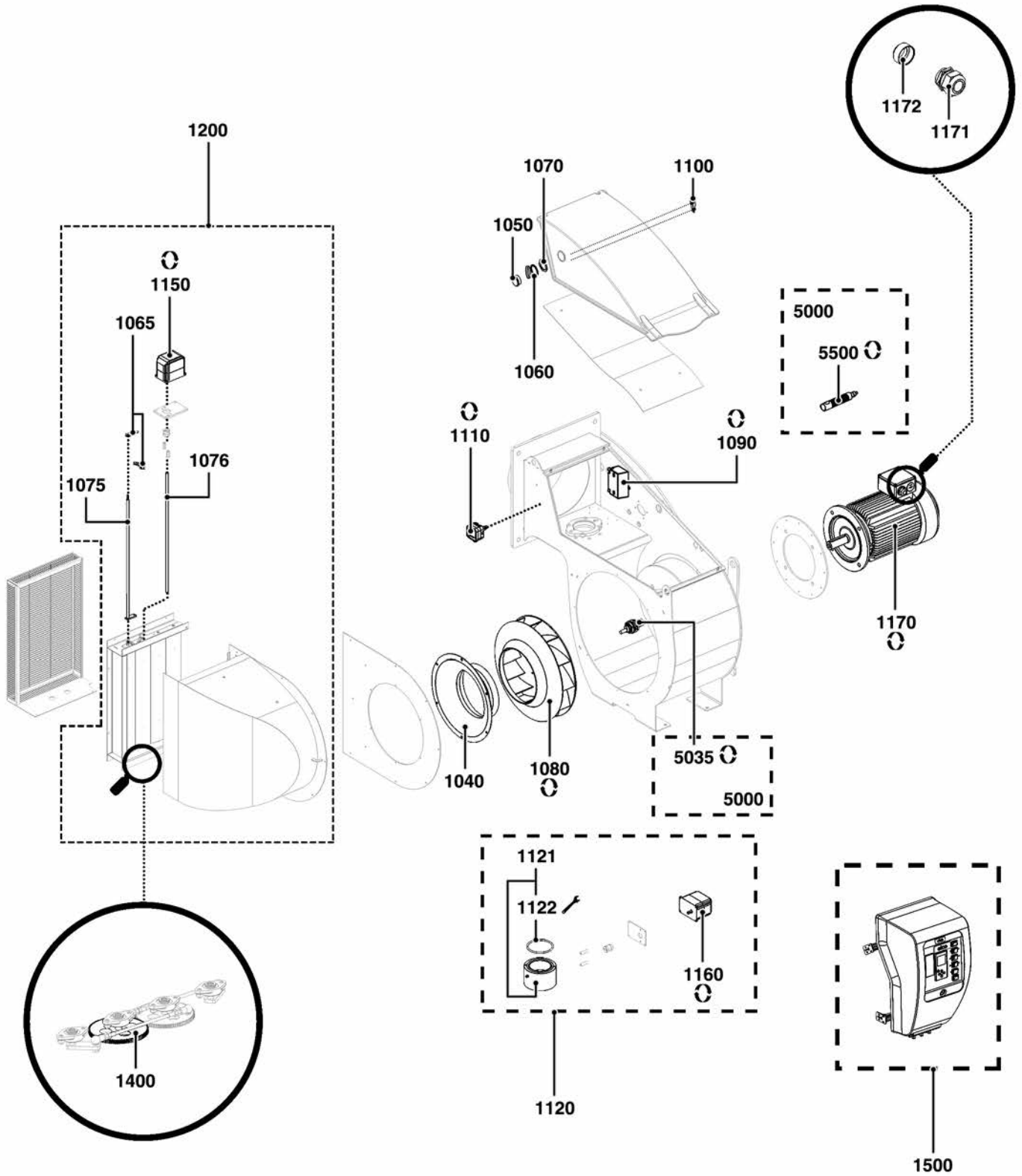
SPARE PARTS EXPLODED VIEW GAS BURNERS

Model

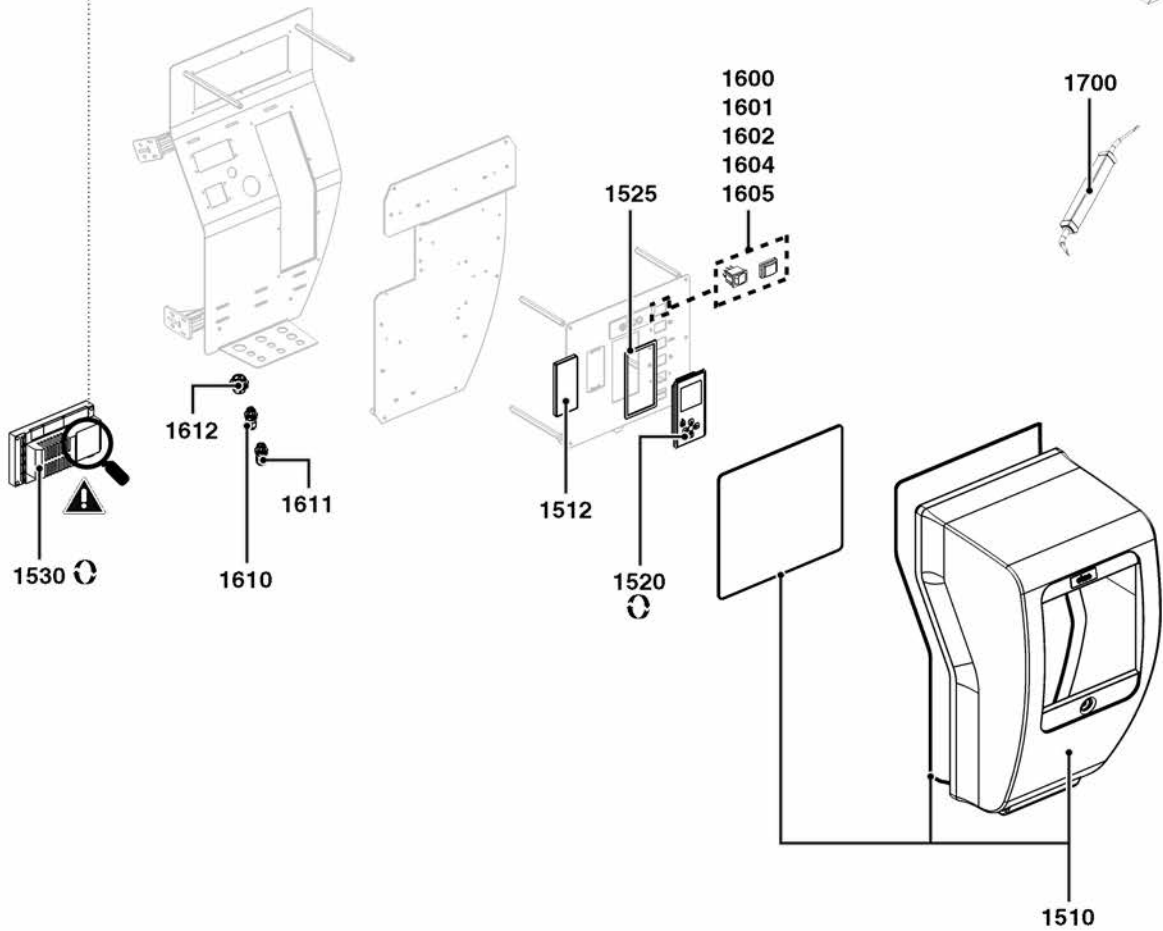
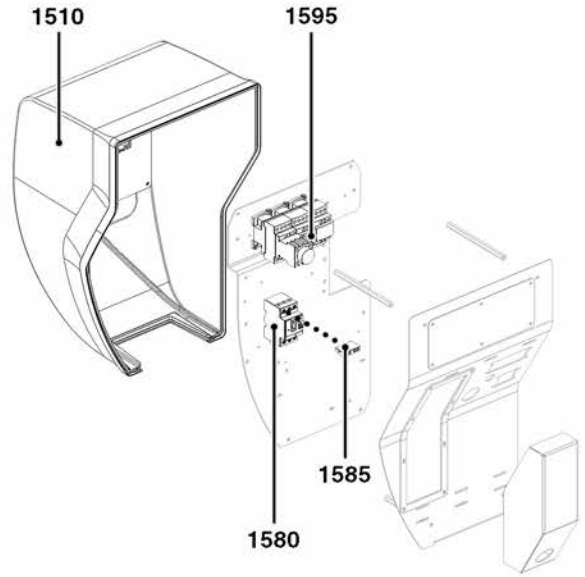
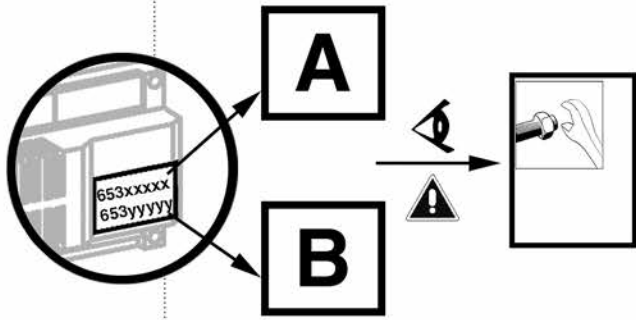
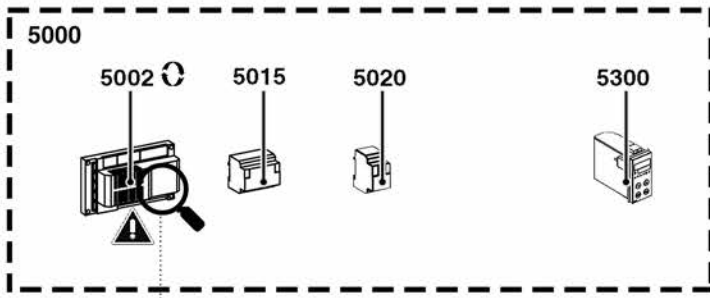
CB-EKEVO8/9 G-E

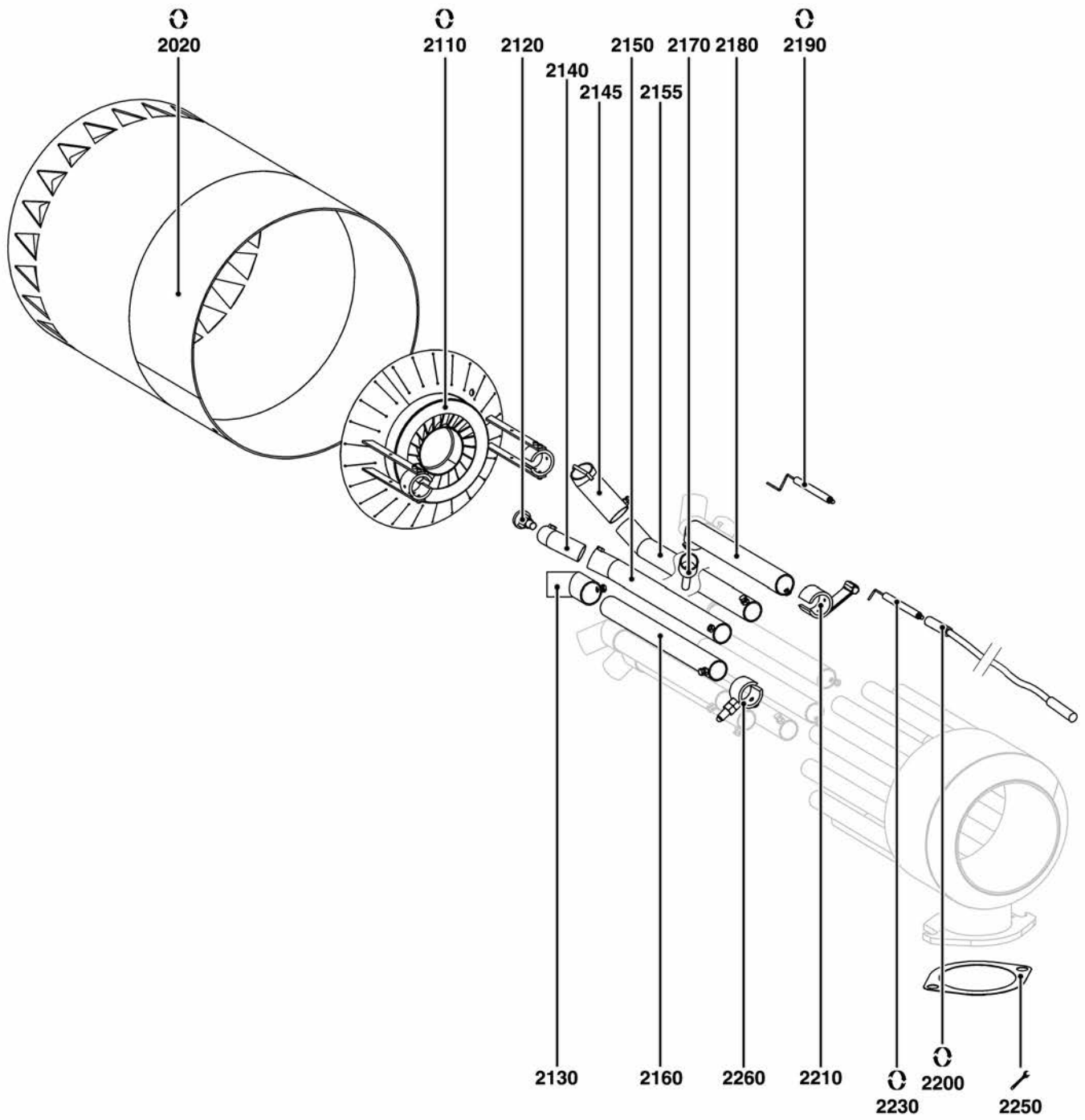
R8220134-01 - 25/11/2015

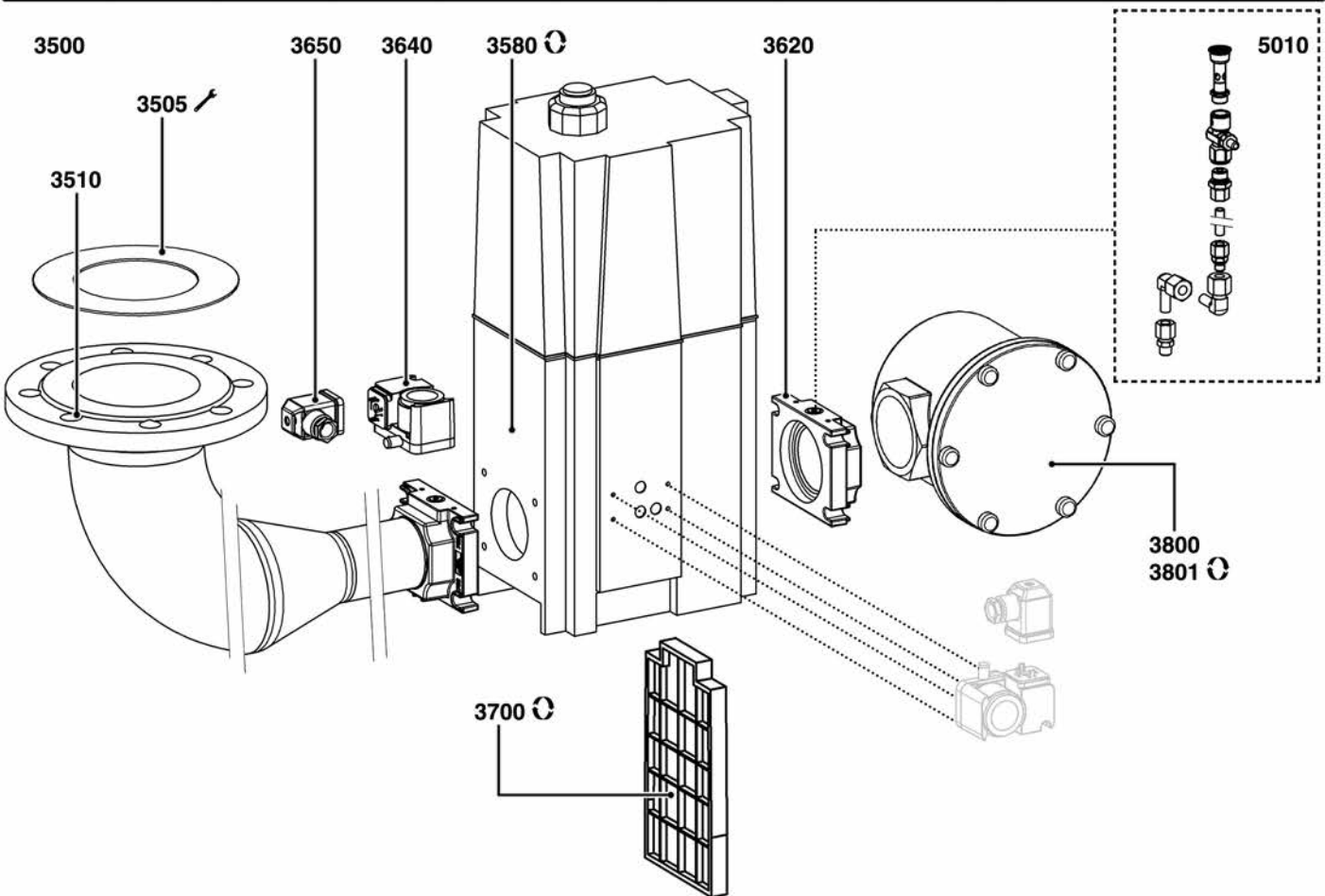
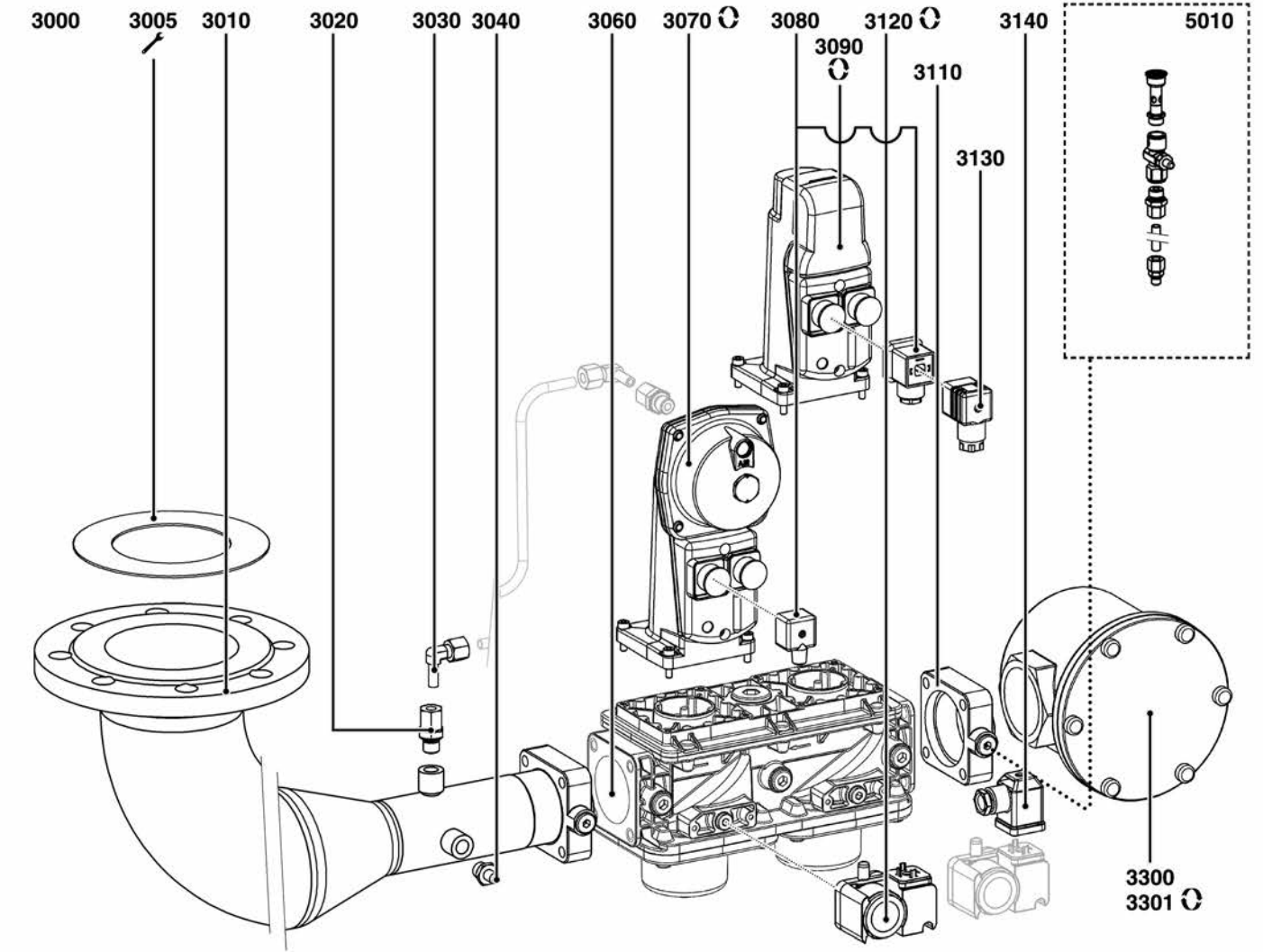
| 1 | 3753965 | EKEVO 8.5800 G-E/BT3/KN | 06-2015 | - |
|-----|-----------|--------------------------|---------|-----|
| 1 | 3753974 | EKEVO 8.5800 G-E/BT3/KM | 06-2015 | - |
| 1 | 3753982 | EKEVO 8.5800 G-E/BT3/KL | 06-2015 | - |
| 2 | 3753966 | EKEVO 8.7100 G-E/BT3/KN | 06-2015 | - |
| 2 | 3753975 | EKEVO 8.7100 G-E/BT3/KM | 06-2015 | - |
| 2 | 3753983 | EKEVO 8.7100 G-E/BT3/KL | 06-2015 | - |
| 3 | 3753967 | EKEVO 9.8700 G-E/BT3/KN | 06-2015 | - |
| 3 | 3753976 | EKEVO 9.8700 G-E/BT3/KM | 06-2015 | - |
| 3 | 3753984 | EKEVO 9.8700 G-E/BT3/KL | 06-2015 | - |
| 4 | 3753968 | EKEVO 9.10400 G-E/BT3/KN | 06-2015 | - |
| 4 | 3753977 | EKEVO 9.10400 G-E/BT3/KM | 06-2015 | - |
| 4 | 3753985 | EKEVO 9.10400 G-E/BT3/KL | 06-2015 | - |
| 5 | 3750537 | GT-s457-2 | 08-2012 | - |
| 6 | 3750515 | GT-d457-2 | 11-2013 | - |
| 7 | 3750538 | GT-s458-65 | 07-2012 | - |
| 8 | 3750539 | GT-s459-80 | 08-2013 | - |
| 9 | 3750540 | GT-s460-100 | 03-2014 | - |
| 10 | 3750541 | GT-s461-125 | 06-2014 | - |
| 11 | 3750516 | GT-d458-65 | 06-2012 | - |
| 12 | 3750517 | GT-d459-80 | 03-2013 | - |
| 13 | 3750518 | GT-d460-100 | 10-2012 | - |
| Col | Reference | Model type | Begin | End |

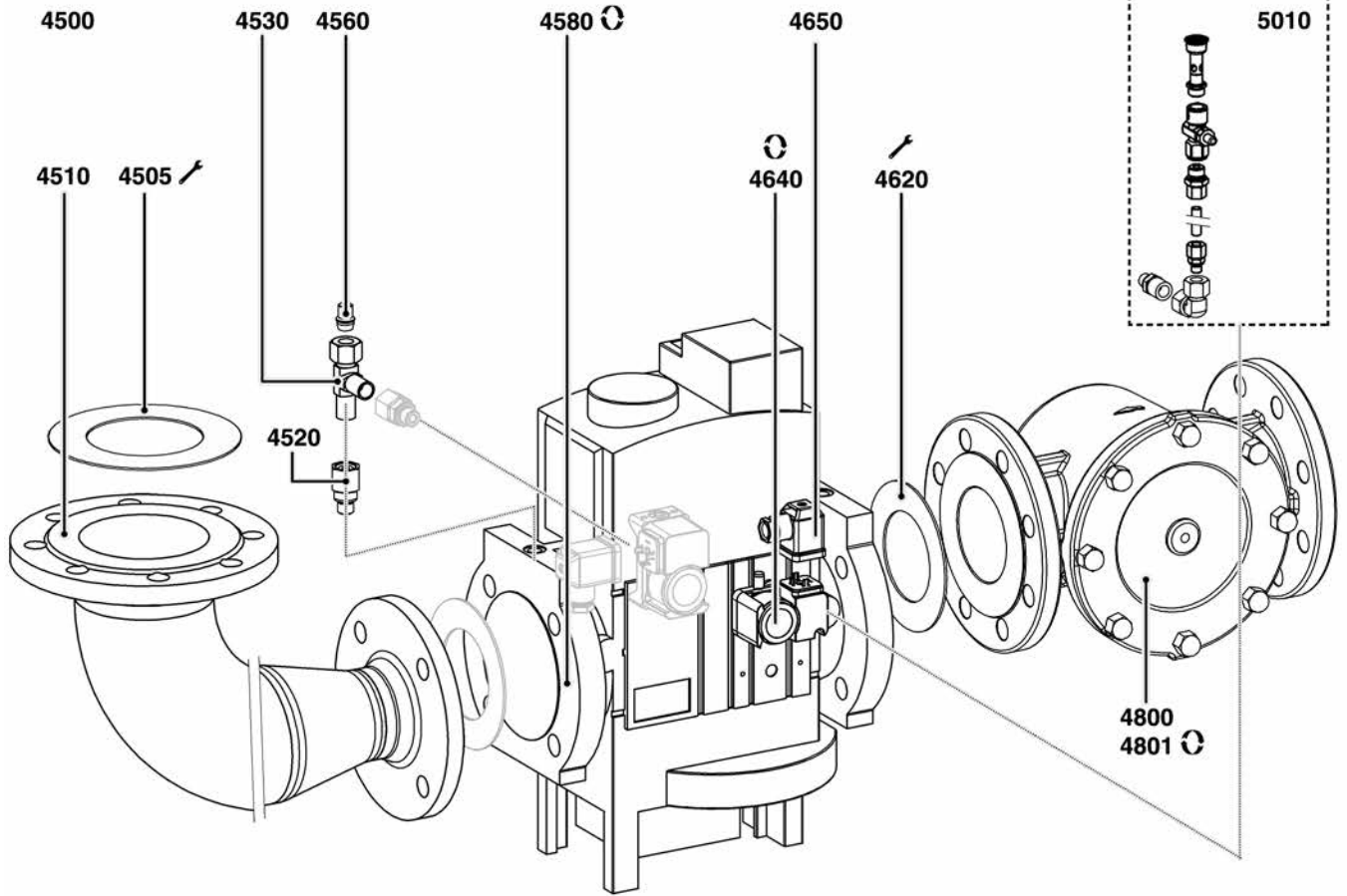
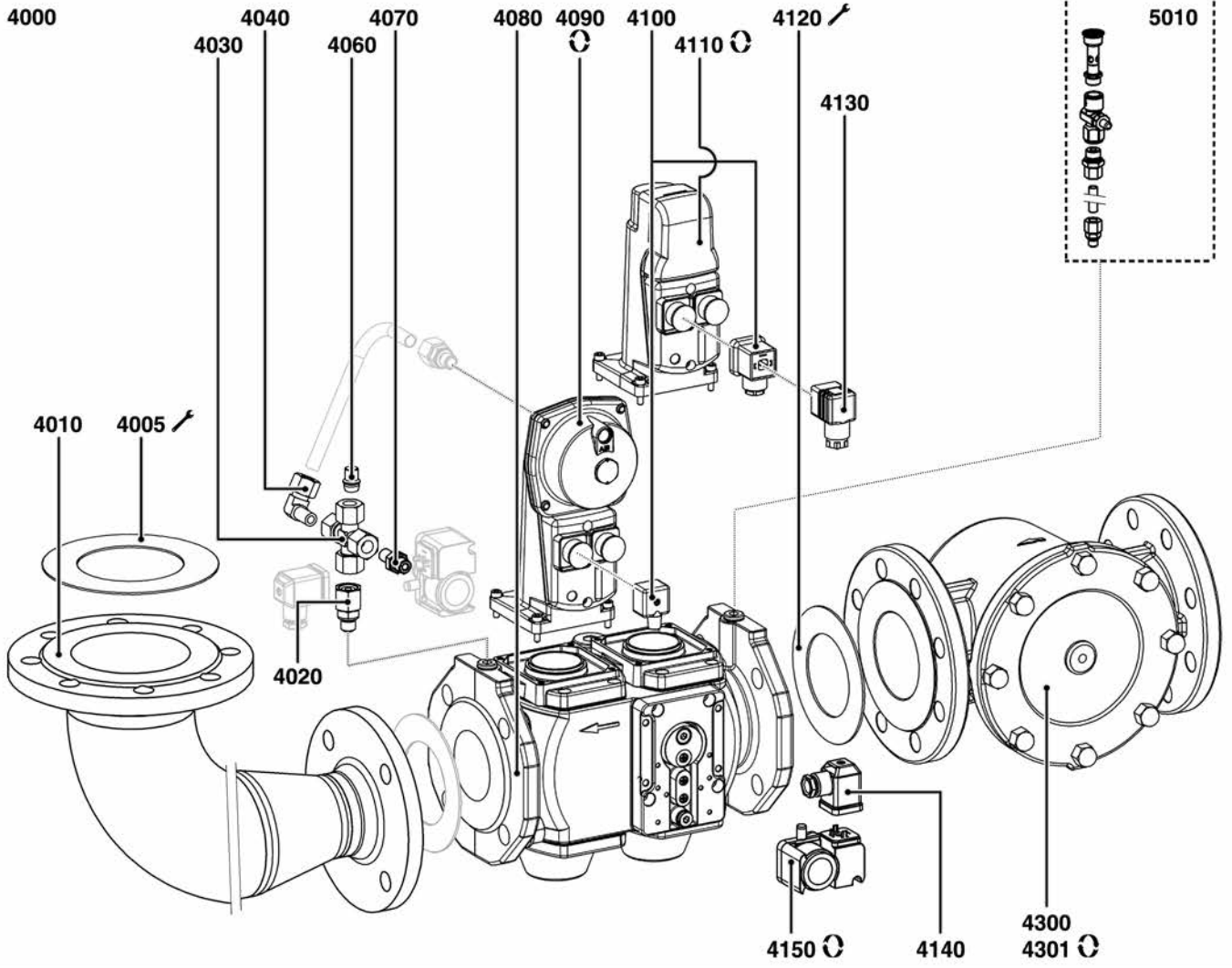


| ☉⇒ | Description | Manf. Pt. N | Type | <div style="display: flex; justify-content: space-between; font-size: 8px; text-align: center;"> EKEVO 8-5800 G-EBT3 EKEVO 8-100 G-EBT3 EKEVO 8-8700 G-EBT3 EKEVO 9-10400 G-EBT3 GT-8457-2 GT-8457-2 GT-8459-85 GT-8459-80 GT-8460-100 GT-8461-125 GT-8462-65 GT-8463-80 GT-8463-100 </div> | | | | | | | | | | | | | | | | | | From | to |
|-------------|---|-------------|----------|--|---|---|---|---|---|---|---|---|----|----|----|----|----|----|----|----|----|------|----|
| | | | | 1 | 2 | 3 | 4 | 5 | 6 | 7 | 8 | 9 | 10 | 11 | 12 | 13 | 14 | 15 | 16 | 17 | 18 | | |
| 1000 | BURNER BODY | | | | | | | | | | | | | | | | | | | | | | |
| 1040 | AIR INLET D288x127 | 65311673 | | • | | | | | | | | | | | | | | | | | | | |
| | AIR INLET D318x134 | 65311672 | | | • | | | | | | | | | | | | | | | | | | |
| | AIR INLET D332x127,5 | 65311665 | | | | • | • | | | | | | | | | | | | | | | | |
| 1050 | COLORLESS SIGHT GLASS D55X21 | 1180603227 | | • | • | • | • | | | | | | | | | | | | | | | | |
| 1060 | SIGHT GLASS COVER D55X61 | 1188052260 | | • | • | • | • | | | | | | | | | | | | | | | | |
| 1065 | SETTING INDICATOR WITH SCALE EKEVO 8/9 | 65312849 | | • | • | • | • | | | | | | | | | | | | | | | | |
| 1070 | NUT/SIGHT GLASS M48X1,5 SW60 | 1180559591 | | • | • | • | • | | | | | | | | | | | | | | | | |
| 1075 | AIR FLAP SHAFT RD. INDICATOR EKEVO 8/9 | 65312851 | | • | • | • | • | | | | | | | | | | | | | | | | |
| 1076 | AIR FLAP SHAFT F.ACTUATOR EKEVO8/9G | 65312854 | | • | • | • | • | | | | | | | | | | | | | | | | |
| 1080 | FAN WHEEL D525/290X81 d42 | 65311671 | | • | | | | | | | | | | | | | | | | | | | |
| | FAN WHEEL D556/320X86 d42 | 65311670 | | | • | | | | | | | | | | | | | | | | | | |
| | FAN WHEEL D580/334X90 d42 | 65311664 | | | | • | | | | | | | | | | | | | | | | | |
| | FAN WHEEL D580/334X92 d48 | 65311663 | | | | | • | | | | | | | | | | | | | | | | |
| 1090 | IGNITION TRANSFO. EBI 1X11 230V | 65311471 | | • | • | • | • | | | | | | | | | | | | | | | | |
| 1100 | MIRROR/SIGHT GLASS | 65311472 | | • | • | • | • | | | | | | | | | | | | | | | | |
| 1110 | AIR PRESS.SWITCH LGW 50 A2P 2,5-50MB | 65311595 | 2,5-50mb | • | • | • | • | | | | | | | | | | | | | | | | |
| 1120 | GAS FLAP+ACTUATOR ASSEMBLY | 65312855 | | • | • | • | • | | | | | | | | | | | | | | | | |
| 1121 | GAS VALVE AS.RP4 STE4,5 3N-STM30+O'RING | 65312853 | | • | • | • | • | | | | | | | | | | | | | | | | |
| 1122 | O-RING NBR 8475 (120,00x6,99) | 65323999 | | • | • | • | • | | | | | | | | | | | | | | | | |
| 1150 | ACTUATOR STE 4,5 BT3XX | 65311650 | | • | • | • | • | | | | | | | | | | | | | | | | |
| 1160 | ACTUATOR STE 4,5 BT3XX | 65311650 | | • | • | • | • | | | | | | | | | | | | | | | | |
| 1170 | MOTOR 11KW 400/690V D42 IE3 ELV SCHWARZ | 65326333 | | • | | | | | | | | | | | | | | | | | | | |
| | MOTOR 15KW 400/690V D42 IE3 ELV BLACK | 65326334 | | | • | | | | | | | | | | | | | | | | | | |
| | MOTOR 18,5KW 400/690V D42 IE3 ELV BLACK | 65326335 | | | | • | | | | | | | | | | | | | | | | | |
| | MOTOR 22KW 400/690V D48 IE3 ELV BLACK | 65326336 | | | | | • | | | | | | | | | | | | | | | | |
| 1171 | CABLE GLAND M32X1,5 | 65311933 | | • | • | | | | | | | | | | | | | | | | | | |
| | CABLE GLAND M40X1,5 | 65311934 | | | | • | • | | | | | | | | | | | | | | | | |
| 1172 | CABLE GLAND EXTENS. M32-M40 | 65312850 | | | | • | • | | | | | | | | | | | | | | | | |
| 1200 | AIR FLAP ASSEMBLY EKEVO8/9 | 65312856 | | • | • | • | • | | | | | | | | | | | | | | | | |
| 1400 | GEAR WHEEL Z=100 M=1 BO=12MM EKEVO8/9 | 65312848 | | • | • | • | • | | | | | | | | | | | | | | | | |
| 5000 | ACCESSORY | | | | | | | | | | | | | | | | | | | | | | |
| 5035 | EXTERNAL SENSOR NAMUR NI5-G12-Y1 | 65312550 | | • | • | • | • | | | | | | | | | | | | | | | | |
| 5500 | PHOTOCELL FFS08-UV1 659D31 - 5M W/O | 65312274 | ETA EXT | • | • | • | • | | | | | | | | | | | | | | | | |












| | ☰ | XXXXXXXXXX | DE | FR | IT | X |
|------|------------|---|---|--|----|---|
| | | | NL | ES | | |
| 1040 | 65311665 | ANSAUGTRICHTER D332x127,5 LUCHTINLAAT D332x127,5 | ENTREE D'AIR D332x127,5 ENTRADA DE AIRE D332x127,5 | ADDUZIONE ARIA D332x127,5 | 1 | |
| | 65311672 | ANSAUGTRICHTER D318x134 LUCHTINLAAT D318x134 | ENTREE D'AIR D318x134 ENTRADA DE AIRE D318x134 | ADDUZIONE ARIA D318x134 | 1 | |
| | 65311673 | ANSAUGTRICHTER D288x127 LUCHTINLAAT D288x127 | ENTREE D'AIR D288x127 ENTRADA DE AIRE D288x127 | ADDUZIONE ARIA D288x127 | 1 | |
| 1050 | 1180603227 | SCHAUGLAS KLAR D55X21 KLEURLOOS KIJKGLAS D55X21 | REGARD INCOLORE D55X21 MIRILLA INCOLORA D55X21 | SPIONCINO INCOLORE D55X21 | 1 | |
| 1060 | 1188052260 | SCHAUGLASDECKEL D55X61 DEKSEL/KIJKGLAS D55X61 | CACHE REGARD D55X61 TAPA/MIRILLA D55X61 | COPERCHIO/SPIONCINO D55X61 | 1 | |
| 1065 | 65312849 | VERSTELLANZEIGE MIT SKALA EKEVO 8/9 AFSTELL-INDICATOR MET SCHAAL EKEVO 8/9 | INDICATEUR DE POSITION GRADUE EKEVO 8/9 INDICADOR AJUST. CON ESCALA EKEVO 8/9 | INDICATORE REGOLAZ. CON SCALA EKEVO 8/9 | 1 | |
| 1070 | 1180559591 | MUTTER SCHAUGLAS M48X1,5 SW60 MOER/KIJKGLAS M48X1,5 SW60 | ECROU REGARD M48X1,5 SW60 TUERCA/MIRILLA M48X1,5 SW60 | DADO/SPIONCINO M48X1,5 SW60 | 1 | |
| 1075 | 65312851 | LUFTKLAPPENWELLE RD. F. ZEIGER EKEVO 8/9 AS LUCHTKLEP MET WIJZER EKEVO 8/9 | AXE VOLET AIR ROND INDIC. POS. EKEVO8/9 EJE VALVULA AIRE CON INDICADOR EKEVO 8/9 | ALBERO SERR. ARIA ROTD. INDIC. EKEVO 8/9 | 1 | |
| 1076 | 65312854 | LUFTKLAPPENWELLE F. ANTR. EKEVO8/9G AS LUCHTKLEP STELLMOTOR EKEVO8/9G | AXE VOLET AIR SERVOMOTEUR EKEVO8/9G EJE VALVULA AIRE ACTUADOR EKEVO8/9G | ALBERO SERR. ARIA ACTUAT. EKEVO8/9G | 1 | |
| 1080 | 65311663 | VENTILATORRAD D590/334X92 d48 VENTILATORWIEL D590/334X92 d48 | TURBINE D590/334X92 d48 TURBINA D590/334X92 d48 | VENTOLA D590/334X92 d48 | 1 | |
| | 65311664 | VENTILATORRAD D580/334X90 d42 VENTILATORWIEL D580/334X90 d42 | TURBINE D580/334X90 d42 TURBINA D580/334X90 d42 | VENTOLA D580/334X90 d42 | 1 | |
| | 65311670 | VENTILATORRAD D556/320X86 d42 VENTILATORWIEL D556/320X86 d42 | TURBINE D556/320X86 d42 TURBINA D556/320X86 d42 | VENTOLA D556/320X86 d42 | 1 | |
| | 65311671 | VENTILATORRAD D525/290X81 d42 VENTILATORWIEL D525/290X81 d42 | TURBINE D525/290X81 d42 TURBINA D525/290X81 d42 | VENTOLA D525/290X81 d42 | 1 | |
| 1090 | 65311471 | ZUENDTRAF0 EBI 1X11 230V ONTSTEKINGSTRAFO EBI 1X11 230V | ALLUMEUR EBI 1X11 230V ENCENDEDOR EBI 1X11 230V | TRANSFO. ACC. EBI 1X11 230V | 1 | |
| 1100 | 65311472 | SICHTSPIEGEL FÜR SCHAUGLAS SPIEGEL/KIJKGLAS | MIROIR/REGARD ESPEJO/MIRILLA | SPECCHIO/SPIONCINO | 1 | |
| 1110 | 65311595 | LUFTDRUCKWAECHTER LGW 50 A2P 2,5-50MB LUCHTDRUKSCHAKELAAR LGW 50 A2P 2,5-50MB | MANOSTAT AIR LGW 50 A2P 2,5-50MB PRESOSTATO AIRE LGW 50 A2P 2,5-50MB | PRESSOSTATO ARIA LGW 50 A2P 2,5-50MB | 1 | |
| 1120 | 65312855 | GASKLAPPE+SCHRIJTMOTOR BG GASKLEP+SERVOMOTOR EQ. | CLAPET GAZ+SERVOMOTEUR EQ. VALVULA DEL GAS+SERVOMOTOR EQ. | VALVOLA DEL GAS+SERVOMOTORE COMPL. | 1 | |
| 1121 | 65312853 | GASKLAPPE RP4 STE4,5 3N-STM30+O'RING GASKLEP RP4 STE 4,5 3N-STM30+O'RING | CLAPET GAZ RP4 STE4,5 3N-STM30+O'RING VALVULA GAS.RP4 STE4,5 3N-STM30+O'RING | VALVOLA GAS RP4 STE4,5 3N-STM30+O'RING | 1 | |
| 1122 | 65323999 | O-RING NBR 8475 (120,00x6,99) O-RING NBR 8475 (120,00x6,99) | O-RING NBR 8475 (120,00x6,99) O-RING NBR 8475 (120,00x6,99) | O-RING NBR 8475 (120,00x6,99) | 1 | |
| 1150 | 65311650 | STELLANTRIEB STE 4,5 BT3XX SERVOMOTOR STE 4,5 BT3XX | SERVOMOTEUR STE 4,5 BT3XX SERVOMOTOR STE 4,5 BT3XX | SERVOMOTORE STE 4,5 BT3XX | 1 | |
| 1160 | 65311650 | STELLANTRIEB STE 4,5 BT3XX SERVOMOTOR STE 4,5 BT3XX | SERVOMOTEUR STE 4,5 BT3XX SERVOMOTOR STE 4,5 BT3XX | SERVOMOTORE STE 4,5 BT3XX | 1 | |
| 1170 | 65326333 | MOTOR 11KW 400/690V D42 IE3 ELV SCHWARZ MOTOR 11KW 400/690V D42 IE3 ELV ZWART | MOTEUR 11KW 400/690V D42 IE3 ELV NOIR MOTOR 11KW 400/690V D42 IE3 ELV NEGRO | MOTORE 11KW 400/690V D42 IE3 ELV NERO | 1 | |
| | 65326334 | MOTOR 15KW 400/690V D42 IE3 ELV SCHWARZ MOTOR 15KW 400/690V D42 IE3 ELV ZWART | MOTEUR 15KW 400/690V D42 IE3 ELV NOIR MOTOR 15KW 400/690V D42 IE3 ELV NEGRO | MOTORE 15KW 400/690V D42 IE3 ELV NERO | 1 | |
| | 65326335 | MOTOR 18,5KW 400/690V D42 IE3 ELV SCHWZ MOTOR 18,5KW 400/690V D42 IE3 ELV ZWART | MOTEUR 18,5KW 400/690V D42 IE3 ELV NOIR MOTOR 18,5KW 400/690V D42 IE3 ELV NEGRO | MOTORE 18,5KW 400/690V D42 IE3 ELV NERO | 1 | |
| | 65326336 | MOTOR 22KW 400/690V D48 IE3 ELV SCHWARZ MOTOR 22KW 400/690V D48 IE3 ELV ZWART | MOTEUR 22KW 400/690V D48 IE3 ELV NOIR MOTOR 22KW 400/690V D48 IE3 ELV NEGRO | MOTORE 22KW 400/690V D48 IE3 ELV NERO | 1 | |
| 1171 | 65311933 | KABELVERSCHRAUBUNG M32X1,5 PAKKINGBUS M32X1,5 | PRESSE-ETOUPPE M32X1,5 PRENSAESTOPAS M32X1,5 | PREMISTOPPA M32X1,5 | 1 | |
| | 65311934 | KABELVERSCHRAUBUNG M40X1,5 PAKKINGBUS M40X1,5 | PRESSE-ETOUPPE M40X1,5 PRENSAESTOPAS M40X1,5 | PREMISTOPPA M40X1,5 | 1 | |
| 1172 | 65312850 | KABELVERSCHRAUBUNG ERW. M32-M40 KABELSCHROEFVERBIND. ADAPTER M32-M40 | AMPLIFIC. PRESSE-ETOUPPE M32-M40 EXTENSION PRENSAESTOPAS M32-M40 | ESTENS. PRESSACAVO M32-M40 | 1 | |
| 1200 | 65312856 | LUFTKLAPPE BG EKEVO8/9 COMPLETE LUCHTKLEP EKEVO8/9 | VOLET D'AIR EQUIPE EKEVO8/9 VÁLVULA DE AIRE EQUIPADA EKEVO8/9 | SERRANDA DELL'ARIA EQUIP. EKEVO8/9 | 1 | |
| 1400 | 65312848 | ZAHNRAD Z=100 M=1 BO=12MM EKEVO8/9 TANDWIEL Z=100 M=1 BO=12MM EKEVO8/9 | ROUE DENTEE Z=100 M=1 BO=12MM EKEVO8/9 RUEDA DENTADA Z=100 M=1 BO=12MM EKEVO8/9 | RUOTA DENTATA Z=100 M=1 BO=12MM EKEVO8/9 | 1 | |
| 1510 | 65312340 | BRENNERSCHRANKHAUBE KAP ELEKTRISCHE KAST | CAPOT ARMOIRE ELEC. CUBIERTA ARMARIO ELÉCTRICO | COPERCHIO ARMADIO ELETTRICO | 1 | |
| 1512 | 65312338 | BLINDDECKEL/REGLER 92X45 IP54 AFSLUITER/REGELAAR 92X45 IP54 | OBTURATEUR REGULATEUR 92X45 IP54 CONJUNTO/REGULADOR 92X45 IP54 | OTTURATORE/REGOLATORE 92X45 IP54 | 1 | |
| 1520 | 65300975 | ANZEIGE FÜR FEUERUNGSAUTOMAT BT3XX DISPLAY VOOR BRANDERAUTOMAAT BT3XX | AFFICHEUR POUR COFFRET BT3XX PANTALLA PARA PROGRAMADOR BT3XX | DISPLAY PER APPARECCHIATURA BT3XX | 1 | |
| 1525 | 65311364 | DICHTUNG/ANZEIGE AFDICHTING/DISPLAY | JOINT/AFFICHEUR JUNTA/PANTALLA | GUARNIZIONE/DISPLAY | 1 | |
| 1530 | 65312451 | FEUERUNGSAUTOMAT BT320 G-E, G-EU3, G-EF3 BRANDERAUTOMAAT BT320 G-E, G-EU3, G-EF3 | COFFRET BT320 G-E, G-EU3, G-EF3 PROGRAMADOR BT320 G-E, G-EU3, G-EF3 | APPARECCHIATURA BT320 G-E, G-EU3, G-EF3 | 1 | |
| 1580 | 65311798 | MOTORSCHUTZSCHALTER 15kW GV2ME32 VERMOGENSCHAKEL. MOTOR 15kW GV2ME32 | DISJONCTEUR MOTEUR 15kW GV2ME32 INTERRUPTOR MOTOR 15kW GV2ME32 | INTERRUTTORE MOTORE 15kW GV2ME32 | 1 | |



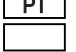
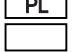

| | | DE | | FR | | IT | | |
|------|------------|---|--|---|--|---------------------------------------|--|---|
| | | NL | | ES | | | | |
| | 65311917 | MOTORSCHUTZSCHALTER 22kW GV3P50 VERMOGENSCHAKEL. MOTOR 22kW GV3P50 | | DISJONCTEUR MOTEUR 22kW GV3P50 INTERRUPTOR MOTOR 22kW GV3P50 | | INTERRUTTORE MOTORE 22kW GV3P50 | | 1 |
| | 65312018 | MOTORSCHUTZSCHALTER 11kW GV2ME22 VERMOGENSCHAKEL. MOTOR 11kW GV2ME22 | | DISJONCTEUR MOTEUR 11kW GV2ME22 INTERRUPTOR MOTOR 11kW GV2ME22 | | INTERRUTTORE MOTORE 11kW GV2ME22 | | 1 |
| | 65312019 | MOTORSCHUTZSCHALTER 18,5kW GV3P40 VERMOGENSCHAKEL. MOTOR 18,5kW GV3P40 | | DISJONCTEUR MOTEUR 18,5kW GV3P40 INTERRUPTOR MOTOR 18,5kW GV3P40 | | INTERRUTTORE MOTORE 18,5kW GV3P40 | | 1 |
| 1585 | 65311795 | HILFSSCHALTER GVAE11 HULPSCHAKELAAR GVAE11 | | CONTACT AUXILIAIRE GVAE11 INTERRUPTOR AUXILIAR GVAE11 | | INTERRUTTORE AUSILIARIO GVAE11 | | 1 |
| 1595 | 65311796 | MOTORSTARTER Y/D 18kW LC3D18AP7 MOTOR STARTER Y/D 18kW LC3D18AP7 | | DEMARREUR MOT. ET./TRI. 18kW LC3D18AP7 ARRANQUE MOTOR Y/D 18kW LC3D18AP7 | | AVVIATORE STELLA/TRIA. 18kW LC3D18AP7 | | 1 |
| | 65311797 | MOTORSTARTER Y/D 22kW LC3D32AP7 MOTOR STARTER Y/D 22kW LC3D32AP7 | | DEMARREUR MOT. ET./TRI. 22kW LC3D32AP7 ARRANQUE MOTOR Y/D 22kW LC3D32AP7 | | AVVIATORE STELLA/TRIA. 22kW LC3D32AP7 | | 1 |
| | 65312015 | MOTORSTARTER Y/D 11kW LC3D12AP7 MOTOR STARTER Y/D 11kW LC3D12AP7 | | DEMARREUR MOT. ET./TRI. 11kW LC3D12AP7 ARRANQUE MOTOR Y/D 11kW LC3D12AP7 | | AVVIATORE STELLA/TRIA. 11kW LC3D12AP7 | | 1 |
| 1600 | 65312334 | BRENNERSCHRANK KONTROLLEUCHE CONTROLELAMPJE ELEKTRISCHE KAST | | VOYANT ARMOIRE ELECTRIQUE TESTIGO ARMARIO ELÉCTRICO | | SPIA ARMADIO ELETTRICO | | 1 |
| 1601 | 65312335 | 2-STELL. KIPPSCHALTER SCHAKELAAR 2 POS. | | INTERRUPTEUR 2 POS. INTERRUPTOR 2 POS. | | INTERRUTTORE 2 POS. | | 1 |
| 1602 | 65312336 | 3-STELL. KIPPSCHALTER SCHAKELAAR 3 POS. | | INTERRUPTEUR 3 POS. INTERRUPTOR 3 POS. | | INTERRUTTORE 3 POS. | | 1 |
| 1604 | 65312337 | 2-STELL. DRUCKSCHALTER MOMENTANE SCHAKELAAR 2 POS. | | INTERRUPTEUR 2 POS. INSTANTANE INTERRUPTOR DE ACCIÓN INSTANTÁN. 2 POS. | | INTERRUTTORE 2 POS. INSTANTANEA | | 1 |
| 1605 | 65312341 | BLINDDECKEL/BRENNERSCHRANKHAUBE AFSLUITER/KAP ELEKTRISCHE KAST | | OBTURATEUR/ARMOIRE ELECTRIQUE CONJUNTO/CUBIERTA ARMARIO ELÉCTRICO | | OTTURATORE/COPERCHIO ARMADIO ELETTR. | | 1 |
| 1610 | 65311758 | KABELVERSCHRAUBUNG CLICK M20 SCHWARZ SCHROEFKLEM M20 | | BORNE A VISSER M20 TERMINAL A ATORNILLAR M20 | | MORSETTO AD AVVITARE M20 | | 1 |
| 1611 | 65311451 | KABELVERSCHRAUBUNG CLICK M16 SCHWARZ SCHROEFKLEM M16 | | BORNE A VISSER M16 BORNE A ATORNILLAR M16 | | MORSETTO AD AVVITARE M16 | | 1 |
| 1612 | 65312852 | KABELVERSCHRAUBUNG CLICK M25 PAKKINGBUS CLICK M25 | | PRESSE-ETOUPE CLICK M25 PRENSAESTOPAS CLICK M25 | | PREMISTOPPA CLICK M25 | | 1 |
| 1700 | 65311446 | BETAETIGUNGSWERKZEUG 2009-309 BEDIENINGSGEREEDSCHAP 2009-309 | | OUTIL DE MANOEUVRE 2009-309 HERRAMIENTA D.ACCIONAM. 2009-309 | | DISPOSITIVO DI MANOVRA 2009-309 | | 1 |
| 2020 | 65311656 | FLAMMENROHR D369/303 L555 DELTA BRANDERBUIIS D369/303 L555 DELTA | | TUBE DE FLAMME D369/303 L555 DELTA TUBO DE LLAMA D369/303 L555 DELTA | | BOCCAGLIO D369/303 L555 DELTA | | 1 |
| | 65311661 | FLAMMENROHR D431,5/362 L605 DELTA BRANDERBUIIS D431,5/362 L605 DELTA | | TUBE DE FLAMME D431,5/362 L605 DELTA TUBO DE LLAMA D431,5/362 L605 DELTA | | BOCCAGLIO D431,5/362 L605 DELTA | | 1 |
| | 65312006 | FLAMMENROHR D369/303 L695 DELTA BRANDERBUIIS D369/303 L695 DELTA | | TUBE DE FLAMME D369/303 L695 DELTA TUBO DE LLAMA D369/303 L695 DELTA | | BOCCAGLIO D369/303 L695 DELTA | | 1 |
| | 65312007 | FLAMMENROHR D369/303 L835 DELTA BRANDERBUIIS D369/303 L835 DELTA | | TUBE DE FLAMME D369/303 L835 DELTA TUBO DE LLAMA D369/303 L835 DELTA | | BOCCAGLIO D369/303 L835 DELTA | | 1 |
| | 65312011 | FLAMMENROHR D431,5/362 L755 DELTA BRANDERBUIIS D431,5/362 L755 DELTA | | TUBE DE FLAMME D431,5/362 L755 DELTA TUBO DE LLAMA D431,5/362 L755 DELTA | | BOCCAGLIO D431,5/362 L755 DELTA | | 1 |
| | 65312012 | FLAMMENROHR D431,5/362 L905 DELTA BRANDERBUIIS D431,5/362 L905 DELTA | | TUBE DE FLAMME D431,5/362 L905 DELTA TUBO DE LLAMA D431,5/362 L905 DELTA | | BOCCAGLIO D431,5/362 L905 DELTA | | 1 |
| 2110 | 65311654 | DRALLSTAUSCHEIBE D298/140 TKD230 45° STUWPLAAT D298/140 TKD230 45° | | DEFLECTEUR D298/140 TKD230 45° DEFLECTOR D298/140 TKD230 45° | | DIFFUSORE D298/140 TKD230 45° | | 1 |
| | 65311679 | DRALLSTAUSCHEIBE D255/140 TKD230 45° STUWPLAAT D255/140 TKD230 45° | | DEFLECTEUR D255/140 TKD230 45° DEFLECTOR D255/140 TKD230 45° | | DIFFUSORE D255/140 TKD230 45° | | 1 |
| | 65311680 | DRALLSTAUSCHEIBE D270/140 TKD230 45° STUWPLAAT D270/140 TKD230 45° | | DEFLECTEUR D270/140 TKD230 45° DEFLECTOR D270/140 TKD230 45° | | DIFFUSORE D270/140 TKD230 45° | | 1 |
| | 65311697 | DRALLSTAUSCHEIBE D260/140 TKD230 45° STUWPLAAT D260/140 TKD230 45° | | DEFLECTEUR D260/140 TKD230 45° DEFLECTOR D260/140 TKD230 45° | | DIFFUSORE D260/140 TKD230 45° | | 1 |
| 2120 | 1688611605 | VERSCHLUSSBOLZEN D12/30X40 VERGRENDDELINGSBOUT D12/30X40 | | OBTURATEUR D12/30X40 OBTURADOR D12/30X40 | | OTTURATORE D12/30X40 | | 1 |
| 2130 | 65311698 | GASDUJSE (ELLBOGEN) D40X2,2 L60 GAS VERSPREIDER (ELLEBOOG) D40X2,2 L60 | | INJECTEUR GAZ (COUDE) D40X2,2 L60 DIFUSOR DE GAS (CODO) D40X2,2 L60 | | DIFFUSORE GAS (GOMITO) D40X2,2 L60 | | 1 |
| | 65311699 | GASDUJSE (ELLBOGEN) D40X2,2 L70 GAS VERSPREIDER (ELLEBOOG) D40X2,2 L70 | | INJECTEUR GAZ (COUDE) D40X2,2 L70 DIFUSOR DE GAS (CODO) D40X2,2 L70 | | DIFFUSORE GAS (GOMITO) D40X2,2 L70 | | 1 |
| | 65311703 | GASDUJSE (ELLBOGEN) D40X2,2 GAS VERSPREIDER (ELLEBOOG) D40X2,2 | | INJECTEUR GAZ (COUDE) D40X2,2 DIFUSOR DE GAS (CODO) D40X2,2 | | DIFFUSORE GAS (GOMITO) D40X2,2 | | 1 |
| 2140 | 65311653 | GASDUJSE D30X60 45GR. GAS NOZZLE D30X60 45GR. | | DIFFUSEUR GAZ D30X60 45GR. DIFUSOR GAS D30X60 45GR. | | INIETTORE GAS D30X60 45GR. | | 1 |
| | 65311700 | GASDUJSE D30X2 45 L40 GAS VERSPREIDER D30X2 45 L40 | | INJECTEUR GAZ D30X2 45 L40 DIFUSOR DE GAS D30X2 45 L40 | | DIFFUSORE GAS D30X2 45 L40 | | 1 |
| | 65311711 | GASDUJSE D30X45 45GR. GAS NOZZLE D30X45 45GR. | | DIFFUSEUR GAZ D30X45 45GR. DIFUSOR GAS D30X45 45GR. | | INIETTORE GAS D30X45 45GR. | | 1 |
| 2145 | 65311692 | GASDUJSE D40X2,2X90 GAS NOZZLE D40X2,2X90 | | DIFFUSEUR GAZ D40X2,2X90 DIFUSOR GAS D40X2,2X90 | | INIETTORE GAS D40X2,2X90 | | 1 |
| | 65311704 | GASDUJSE D40X2,2X45GR GAS NOZZLE D40X2,2X45GR | | DIFFUSEUR GAZ D40X2,2X45GR DIFUSOR GAS D40X2,2X45GR | | INIETTORE GAS D40X2,2X45GR | | 1 |
| 2150 | 65310279 | GASROHR D35X2,2X360 2XM5 GASBUIIS D35X2,2X360 2XM5 | | TUBE GAZ D35X2,2X360 2XM5 TUBERIA GAS D35X2,2X360 2XM5 | | TUBO GAS D35X2,2X360 2XM5 | | 1 |

| |  |  | DE NL | FR ES | IT |  |
|------|---|---|--|--|--|---|
| | | | GASROHR D35X2,2X360 GASBUIJS D35X2,2X360 | TUBE GAZ D35X2,2X360 TUBERIA GAS D35X2,2X360 | TUBO GAS D35X2,2X360 | 1 |
| 2155 | | | GASROHR D35X2,2X360 1XM5 GASBUIJS D35X2,2X360 1XM5 | TUBE GAZ D35X2,2X360 1XM5 TUBERIA GAS D35X2,2X360 1XM5 | TUBO GAS D35X2,2X360 1XM5 | 1 |
| 2160 | | | GASROHR D35X2,2X360 1XM5 GASBUIJS D35X2,2X360 1XM5 | TUBE GAZ D35X2,2X360 1XM5 TUBERIA GAS D35X2,2X360 1XM5 | TUBO GAS D35X2,2X360 1XM5 | 1 |
| | | | GASROHR D35X2,2X360 GASBUIJS D35X2,2X360 | TUBE GAZ D35X2,2X360 TUBERIA GAS D35X2,2X360 | TUBO GAS D35X2,2X360 | 1 |
| 2170 | | | GASDUJSE D30x2/D12x1,5 GAS VERSPREIDER D30x2/D12x1,5 | INJECTEUR GAZ D30x2/D12x1,5 DIFUSOR DE GAS D30x2/D12x1,5 | DIFFUSORE GAS D30x2/D12x1,5 | 1 |
| | | | GASDUJSE D30X2/D12X1 L93 GAS NOZZLE D30X2/D12X1 L93 | DIFFUSEUR GAZ D30X2/D12X1 L93 DIFUSOR GAS D30X2/D12X1 L93 | INIETTORE GAS D30X2/D12X1 L93 | 1 |
| 2180 | | | GASROHR D35x2,2x45GR. GASBUIJS D35x2,2x45GR. | TUBE GAZ D35x2,2x45GR. TUBERIA GAS D35x2,2x45GR. | TUBO GAS D35x2,2x45GR. | 1 |
| 2190 | | | IONISATIONSSONDE D11X110 d6,4d2,5X95 45° IONISATIEPEN D11X110 d6,4 D2,5X95 45° | SONDE IONISATION D11X110 d6,4D2,5X95 45° SONDA IONIZACION D11X110 d6,4D2,5X95 45° | SONDA RIVELAZIONE D11X110d6,4D2,5X95 45° | 1 |
| | | | IONISATIONSSONDE D11X110d6,4d2,5X130 45° IONISATIEPEN D11X110 d6,4 D2,5X130 45° | SONDE IONISATION D11X110d6,4D2,5X130 45° SONDA IONIZACION D11X110d6,4D2,5X130 45° | SONDA RIVELAZ. D11X110 d6,4 D2,5X130 45° | 1 |
| 2200 | | 1728777751 | ZUENDKABEL KPL. L1500 SILIKON ONTSTEKINGSKABEL SILICONE L1500 | CABLE ALLUMAGE SILICONE LG1500 CABLE ENCENDIDO SILICONA L1500 | CAVO ACCENSIONE SILICONE L1500 | 1 |
| 2210 | | | ELEKTRODENHALTER ELEKTRODESTEUN | SUPPORT ELECTRODE SOPORTE ELECTRODO | SUPPORTO ELETTRODO | 1 |
| | | | ELEKTRODENHALTER (LANG) ELEKTRODESTEUN (LANG) | SUPPORT ELECTRODE (LONG) SOPORTE ELECTRODO (LARGO) | SUPPORTO ELETTRODO (LUNGO) | 1 |
| 2230 | | | ZUENDELEKTRODE D11X100 d6,4 D2,5X150 45° ONTSTEKINGSPEN D11X100 d6,4 D2,5X150 45° | ELECTRODE ALLU. D11X100 d6,4D2,5X150 45° ELECTRODO ENC. D11X100 d6,4 D2,5X150 45° | ELETTRODO ACC. D11X100 d6,4 D2,5X150 45° | 1 |
| 2250 | | | DICHTUNG F.OVALFLANSCH LGK DN100 AFDICHTING VOOR OVALE FLENS DN100 | JOINT POUR BRIDE OVALE DN100 JUNTA PARA BRIDA OVALADA DN100 | GUARNIZIONE PER FLANGIA OVALE DN100 | 1 |
| 2260 | | | ZENTRIERSTÜTZE MZE N8/EKEVO8 CENTREERVOORZIENING N8/EKEVO8 N8/EKEVO8 | PIED DE CENTRAGE N8/EKEVO8 PILAR DE CENTRAJE N8/EKEVO8 | DISPOSITIVO DI CENTRAGGIO N8/EKEVO8 | 1 |
| | | | ZENTRIERSTÜTZE MZE N9/EKEVO9 CENTREERVOORZIENING N8/EKEVO8 N9/EKEVO9 | PIED DE CENTRAGE N9/EKEVO9 PILAR DE CENTRAJE N9/EKEVO9 | DISPOSITIVO DI CENTRAGGIO N9/EKEVO9 | 1 |
| 3005 | | | DICHTUNG DIN EN 1514-1 DN100 PN16 AFDICHTING DIN EN 1514-1 DN100 PN16 | JOINT DIN EN 1514-1 DN100 PN16 JUNTA DIN EN 1514-1 DN100 PN16 | GUARNIZIONE DIN EN 1514-1 DN100 PN16 | 1 |
| 3010 | | | GASANSCHLUSSSTÜCK DN100-R2Z 2G1/4 PN16 GASAANSLUITBUIJS DN100-R2Z 2G1/4 PN16 | COLLECTEUR DN100-R2Z 2G1/4 PN16 COLECTOR DN100-R2Z 2G1/4 PN16 | COLLETTORE DN100-R2Z 2G1/4 PN16 | 1 |
| 3020 | | | GER.-EINSCHRAUBVERS.P-GEV 8LR-WD-VI RECHTE AANSLUITING P-GEV 8LR-WD-VI | RACCORD DROIT P-GEV 8LR-WD-VI RACOR RECTO P-GEV 8LR-WD-VI | RACCORDO DESTRO P-GEV 8LR-WD-VI | 1 |
| 3030 | | | W-VERSCHRAUBUNG P-EWV 8-L GEBOGEN AANSLUITING P-EWV 8-L | RACCORD COUDE P-EWV 8-L RACOR ACODADO P-EWV 8-L | RACCORDO A GOMITO P-EWV 8-L | 1 |
| 3040 | | | MESSNIPPEL R1/4Z M.DICHTUNG MEETNIPPEL R1/4Z+AFDICHTING | PRISE DE PRESSION R1/4Z+JOINT TOMA DE PRESIÓN R1/4Z+JUNTA | PRESA DI PRESSIONE R1/4Z+GUARNIZIONE | 1 |
| 3060 | | | GASVENTIL VGD20 5011 RP2" GASKLEP VGD20 5011 RP2" | VANNE GAZ VGD20 5011 RP2" VALVULA GAS VGD20 5011 RP2" | VALVOLA GAS VGD20 5011 RP2" | 1 |
| 3070 | | | STELLANTRIEB SKP25.003E2 O. ENDSCHALTER REGELMOT. GAS SKP25.003E2 Z.EINDSCHALTE | SERVOMOT. GAZ SKP25.003E2 S.FIN COURSE SERVOMOTOR SKP25.003 E2 SIN FIN CARRERA | SERVOMOT. GAS SKP25.003E2 S.FINE CORSA | 1 |
| 3080 | | | ZWISCHENSTECKER AGA62.000A000 VERBINDINGSKABEL AGA62.000A000 | CABLE DE LIAISON AGA62.000A000 CABLE AGA62.000A000 | CAVO DI COLLEGAMENTO AGA62.000A000 | 1 |
| 3090 | | 1478836180 | STELLANTRIEB SKP15.000E2 OHNE ENDSCHALT. REGELMOTOR GAS SKP15.000E2 Z.EINDSCHALTE | SERVOMOT.GAZ SKP15.000E2 SANS FIN COURSE SERVOMO. GAS SKP15.000E2 SIN FIN CARRERA | SERVOMOT.GAS SKP15.000E2 SENZ.FINE CORSA | 1 |
| 3110 | | | FLANSCH AGF10.50 RP2 FLENS AGF10.50 RP2 | BRIDE AGF10.50 RP2 BRIDA AGF10.50 RP2 | FLANGIA AGF10.50 RP2 | 1 |
| 3120 | | | GASDRUCKWAECHTER GW 500 A5 30-500MB GASDRUKSCHAKELAAR GW 500 A5 30-500MB | MANOSTAT GAZ GW 500 A5 30-500MB PRESOSTATO GAS GW 500 A5 30-500MB | PRESSOSTATO GAS GW 500 A5 30-500MB | 1 |
| | | | GASDRUCKWAECHTER GW 150 A6 10-150MB GASDRUKSCHAKELAAR GW 150 A6 10-150MB | MANOSTAT GAZ GW 150 A6 10-150MB PRESOSTATO GAS GW 150 A6 10-150MB | PRESSOSTATO GAS GW 150 A6 10-150MB | 1 |
| 3130 | | | STECKDOSE AGA64 STEKKER VROUWELIJK AGA64 | PRISE FEMELLE AGA64 TOMA HEMBRA AGA64 | PRESA FEMMINA AGA64 | 1 |
| 3140 | | | GERAETESTECKDOSE GDMW 30-11 DF STEKKER GDMW 30-11 DF | PRISE GDMW 30-11 DF TOMA GDMW 30-11 DF | PRESA GDMW 30-11 DF | 1 |
| 3300 | | | GASFILTER GF80M-1616-A-1 RP2 1BAR GASFILTER GF80M-1616-A-1 RP2 1BAR | FILTRE GAZ GF80M-1616-A-1 RP2 1BAR FILTRO GAS GF80M-1616-A-1 RP2 1BAR | FILTRO GAS GF80M-1616-A-1 RP2 1BAR | 1 |
| 3301 | | | ERSATZTEILSET F.GASFILTER GF 80M FILTERELEMENT GF 80M | ELEMENT FILTRANT GF 80M ELEMENTO FILTRANTE GF 80M | ELEMENTO FILTRANTE GF 80M | 1 |
| 3505 | | | DICHTUNG DIN EN 1514-1 DN100 PN16 AFDICHTING DIN EN 1514-1 DN100 PN16 | JOINT DIN EN 1514-1 DN100 PN16 JUNTA DIN EN 1514-1 DN100 PN16 | GUARNIZIONE DIN EN 1514-1 DN100 PN16 | 1 |
| 3510 | | | GASANSCHLUSSSTÜCK DN100 / R2 GASAANSLUITBUIJS DN100 / R2 | COLLECTEUR DN100 / R2 COLLECTOR DN100 / R2 | COLLETTORE DN100 / R2 | 1 |
| 3580 | | | GASVENTIL MBC1200 SE S82 RP2" 5-80 MBAR GASKLEP MBC1200 SE S82 RP2" 5-80 MBAR | VANNE GAZ MBC1200 SE S82 RP2" 5-80 MBAR VALVULA GAS MBC1200 SE S82 RP2" 5-80MBA | VALVOLA GAS MBC1200 SE S82 RP2" 5-80MBA | 1 |
| 3620 | | | FLANSCH MBC700/1200 RP2 FLENS MBC700/1200 RP2 | BRIDE MBC700/1200 RP2 BRIDA MBC700/1200 RP2 | FLANGIA MBC700/1200 RP2 | 1 |

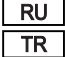
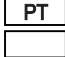
| ☞ | XXXXXXXX | DE | FR | IT | X |
|------|------------|--|--|--|---|
| | | NL | ES | | |
| 3640 | 65310852 | GASDRUCKWAECHTER GW 500 A5 30-500MB GASDRUKSCHAKELAAR GW 500 A5 30-500MB | MANOSTAT GAZ GW 500 A5 30-500MB PRESOSTATO GAS GW 500 A5 30-500MB | PRESSOSTATO GAS GW 500 A5 30-500MB | 1 |
| | 65311598 | GASDRUCKWAECHTER GW 150 A5 30-150MB GASDRUKSCHAKELAAR GW 150 A5 30-150MB | MANOSTAT GAZ GW 150 A5 30-150MB PRESOSTATO GAS GW 150 A5 30-150MB | PRESSOSTATO GAS GW 150 A5 30-150MB | 1 |
| 3650 | 65311615 | GERAETESTECKDOSE GDMW 30-11 DF STEKKER GDMW 30-11 DF | PRISE GDMW 30-11 DF TOMA GDMW 30-11 DF | PRESA GDMW 30-11 DF | 1 |
| 3700 | 13022417 | FILTEREINSATZ F. GASVENTIL MBC1200 ZEEFILTER/GASKLEP MBC1200 | FILTRE TAMIS/VANNE GAZ MBC1200 FILTRO DE TAMIZ/VÁLVULA DE GAS MBC1200 | SET FILTRI/VALVOLA GAS MBC1200 | 1 |
| 3800 | 65311459 | GASFILTER GF80M-1616-A-1 RP2 1BAR GASFILTER GF80M-1616-A-1 RP2 1BAR | FILTRE GAZ GF80M-1616-A-1 RP2 1BAR FILTRO GAS GF80M-1616-A-1 RP2 1BAR | FILTRO GAS GF80M-1616-A-1 RP2 1BAR | 1 |
| 3801 | 65311361 | ERSATZTEILSET F.GASFILTER GF 80M FILTERELEMENT GF 80M | ELEMENT FILTRANT GF 80M ELEMENTO FILTRANTE GF 80M | ELEMENTO FILTRANTE GF 80M | 1 |
| 4005 | 65311613 | DICHTUNG DIN EN 1514-1 DN100 PN16 AFDICHTING DIN EN 1514-1 DN100 PN16 | JOINT DIN EN 1514-1 DN100 PN16 JUNTA DIN EN 1514-1 DN100 PN16 | GUARNIZIONE DIN EN 1514-1 DN100 PN16 | 1 |
| 4010 | 65311674 | GASANSCHLUSSSTÜCK DN100-DN65 GASAANSLUITBUIJS DN100/DN65 | COLLECTEUR DN100/DN65 COLLECTOR DN100/DN65 | COLLETTORE DN100/DN65 | 1 |
| | 65311675 | GASANSCHLUSSSTÜCK DN100-DN80 PN16 GASAANSLUITBUIJS DN100-DN80 PN16 | COLLECTEUR DN100-DN80 PN16 COLECTOR DN100-DN80 PN16 | COLLETTORE DN100-DN80 PN16 | 1 |
| | 65311676 | GASANSCHLUSSSTÜCK DN100-DN100 PN16 GASAANSLUITBUIJS DN100/DN100 | COLLECTEUR DN100/DN100 COLLECTOR DN100/DN100 | COLLETTORE DN100/DN100 | 1 |
| | 65311677 | GASANSCHLUSSSTÜCK DN100-DN125 GASAANSLUITBUIJS DN100/DN125 | COLLECTEUR DN100/DN125 COLLECTOR DN100/DN125 | COLLETTORE DN100/DN125 | 1 |
| 4020 | 65311601 | GERADE-EINSCHRAUBST.P-EGES 12L/R 1/4WD RECHTE AANSLUITING P-EGES 12L/R 1/4WD | RACCORD DROIT P-EGES 12L/R 1/4WD RACOR RECTO P-EGES 12L/R 1/4WD | RACCORDO DESTRO P-EGES 12L/R 1/4WD | 1 |
| 4030 | 65311608 | WINKELANSCHLUSS (ELLSBOGEN) P-EWV12L-SV AANSLUITING (ELLEBOOG) P-EWV12L-SV | RACCORD (COUDE) P-EWV12L-SV RACOR (CODO) P-EWV12L-SV | RACCORDO (GOMITO) P-EWV12L-SV | 1 |
| 4040 | 65311605 | KREUZVERSCHR. P-KV12L AANSLUITING P-KV12L | RACCORD P-KV12L RACOR P-KV12L | RACCORDO P-KV12L | 1 |
| 4060 | 65311607 | VERSCHLUSSTOPFEN VSD 12L/S O.M.MB. STOP VSD 12L/S O.M.MB. | BOUCHON VSD 12L/S O.M.MB. TAPÓN VSD 12L/S O.M.MB. | TAPPO VSD 12L/S O.M.MB. | 1 |
| 4070 | 65311601 | GERADE-EINSCHRAUBST.P-EGES 12L/R 1/4WD RECHTE AANSLUITING P-EGES 12L/R 1/4WD | RACCORD DROIT P-EGES 12L/R 1/4WD RACOR RECTO P-EGES 12L/R 1/4WD | RACCORDO DESTRO P-EGES 12L/R 1/4WD | 1 |
| 4080 | 65311453 | GASVENTIL VGD40 125 DN125 GASKLEP VGD40 125 DN125 | VANNE GAZ VGD40 125 DN125 VALVULA GAS VGD40 125 DN125 | VALVOLA GAS VGD40 125 DN125 | 1 |
| | 65311583 | GASVENTIL VGD40 080 DN80 GASKLEP VGD40 080 DN80 | VANNE GAZ VGD40 080 DN80 VALVULA GAS VGD40 080 DN80 | VALVOLA GAS VGD40 080 DN80 | 1 |
| | 65311590 | GASVENTIL VGD40 100 DN100 GASKLEP VGD40 100 DN100 | VANNE GAZ VGD40 100 DN100 VALVULA GAS VGD40 100 DN100 | VALVOLA GAS VGD40 100 DN100 | 1 |
| | 65323661 | GASVENTIL VGD40 065 DN65 GASKLEP VGD40 065 DN65 | VANNE GAZ VGD40 065 DN65 VÁLVULA GAS VGD40 065 DN65 | VALVOLA GAS VGD40 065 DN65 | 1 |
| 4090 | 65107100 | STELLANTRIEB SKP25.003E2 O. ENDSCHALTER REGELMOT. GAS SKP25.003E2 Z.EINDSCHALTE | SERVOMOT. GAZ SKP25.003E2 S.FIN COURSE SERVOMOTOR SKP25.003 E2 SIN FIN CARRERA | SERVOMOT. GAS SKP25.003E2 S.FINE CORSA | 1 |
| 4100 | 65311585 | ZWISCHENSTECKER AGA62.000A000 VERBINDINGSKABEL AGA62.000A000 | CABLE DE LIAISON AGA62.000A000 CABLE AGA62.000A000 | CAVO DI COLLEGAMENTO AGA62.000A000 | 1 |
| 4110 | 1478836180 | STELLANTRIEB SKP15.000E2 OHNE ENDSCHALT. REGELMOTOR GAS SKP15.000E2 Z.EINDSCHALTE | SERVOMOT.GAZ SKP15.000E2 SANS FIN COURSE SERVOMO. GAS SKP15.000E2 SIN FIN CARRERA | SERVOMOT.GAS SKP15.000E2 SENZ.FINE CORSA | 1 |
| 4120 | 65311611 | DICHTUNG DIN EN 1514-1 DN65/PN16 AFDICHTING DIN EN 1514-1 DN65/PN16 | JOINT DIN EN 1514-1 DN65/PN16 JUNTA DIN EN 1514-1 DN65/PN16 | GUARNIZIONE DIN EN 1514-1 DN65/PN16 | 1 |
| | 65311612 | DICHTUNG DIN EN 1514-1DN 80 PN16 AFDICHTING DIN EN 1514-1DN 80 PN16 | JOINT DIN EN 1514-1DN 80 PN16 JUNTA DIN EN 1514-1DN 80 PN16 | GUARNIZIONE DIN EN 1514-1DN 80 PN16 | 1 |
| | 65311613 | DICHTUNG DIN EN 1514-1 DN100 PN16 AFDICHTING DIN EN 1514-1 DN100 PN16 | JOINT DIN EN 1514-1 DN100 PN16 JUNTA DIN EN 1514-1 DN100 PN16 | GUARNIZIONE DIN EN 1514-1 DN100 PN16 | 1 |
| | 65311614 | DICHTUNG DIN EN 1514-1 DN125 PN16 AFDICHTING DIN EN 1514-1 DN125 PN16 | JOINT DIN EN 1514-1 DN125 PN16 JUNTA DIN EN 1514-1 DN125 PN16 | GUARNIZIONE DIN EN 1514-1 DN125 PN16 | 1 |
| 4130 | 65311586 | STECKDOSE AGA64 STEKKER VROUWELIJK AGA64 | PRISE FEMELLE AGA64 TOMA HEMBRA AGA64 | PRESA FEMMINA AGA64 | 1 |
| 4140 | 65311615 | GERAETESTECKDOSE GDMW 30-11 DF STEKKER GDMW 30-11 DF | PRISE GDMW 30-11 DF TOMA GDMW 30-11 DF | PRESA GDMW 30-11 DF | 1 |
| 4150 | 65310852 | GASDRUCKWAECHTER GW 500 A5 30-500MB GASDRUKSCHAKELAAR GW 500 A5 30-500MB | MANOSTAT GAZ GW 500 A5 30-500MB PRESOSTATO GAS GW 500 A5 30-500MB | PRESSOSTATO GAS GW 500 A5 30-500MB | 1 |
| | 65323022 | GASDRUCKWAECHTER GW 150 A6 10-150MB GASDRUKSCHAKELAAR GW 150 A6 10-150MB | MANOSTAT GAZ GW 150 A6 10-150MB PRESOSTATO GAS GW 150 A6 10-150MB | PRESSOSTATO GAS GW 150 A6 10-150MB | 1 |
| 4300 | 65311460 | GASFILTER GF65MF-2020-A-1 DN65 1BAR GASFILTER GF65MF-2020-A-1 DN65 1BAR | FILTRE GAZ GF65MF-2020-A-1 DN65 1BAR FILTRO GAS GF65MF-2020-A-1 DN65 1BAR | FILTRO GAS GF65MF-2020-A-1 DN65 1BAR | 1 |
| | 65311461 | GASFILTER GF80MF-2424-A-1 DN80 1BAR GASFILTER GF80MF-2424-A-1 DN80 1BAR | FILTRE GAZ GF80MF-2424-A-1 DN80 1BAR FILTRO GAS GF80MF-2424-A-1 DN80 1BAR | FILTRO GAS GF80MF-2424-A-1 DN80 1BAR | 1 |
| | 65311462 | GASFILTER GF100MF-3232-A-1 DN100 1BAR GASFILTER GF100MF-3232-A-1 DN100 1BAR | FILTRE GAZ GF100MF-3232-A-1 DN100 1BAR FILTRO GAS GF100MF-3232-A-1 DN100 1BAR | FILTRO GAS GF100MF-3232-A-1 DN100 1BAR | 1 |
| | 65311463 | GASFILTER GF125MF-4040-A-1 DN125 1BAR GASFILTER GF125MF-4040-A-1 DN125 1BAR | FILTRE GAZ GF125MF-4040-A-1 DN125 1BAR FILTRO GAS GF125MF-4040-A-1 DN125 1BAR | FILTRO GAS GF125MF-4040-A-1 DN125 1BAR | 1 |
| 4301 | 65311723 | ERSATZTEILSET F.GASFILTER GF65MF FILTERELEMENT GF65MF | ELEMENT FILTRANT GF65MF ELEMENTO FILTRANTE GF65MF | ELEMENTO FILTRANTE GF65MF | 1 |

| |  |  |  |  |  |
|------|---|--|--|---|---|
| | | DE NL | FR ES | IT | X |
| | 65311888 | ERSATZTEILSET F.GASFILTER GF80MF FILTERELEMENT GF80MF | ELEMENT FILTRANT GF80MF ELEMENTO FILTRANTE GF80MF | ELEMENTO FILTRANTE GF80MF | 1 |
| | 65311889 | ERSATZTEILSET F.GASFILTER GF100MF FILTERELEMENT GF100MF | ELEMENT FILTRANT GF100MF ELEMENTO FILTRANTE GF100MF | ELEMENTO FILTRANTE GF100MF | 1 |
| | 65311890 | ERSATZTEILSET F.GASFILTER GF125MF FILTERELEMENT GF125MF | ELEMENT FILTRANT GF125MF ELEMENTO FILTRANTE GF125MF | ELEMENTO FILTRANTE GF125MF | 1 |
| 4505 | 65311613 | DICHTUNG DIN EN 1514-1 DN100 PN16 AFDICHTING DIN EN 1514-1 DN100 PN16 | JOINT DIN EN 1514-1 DN100 PN16 JUNTA DIN EN 1514-1 DN100 PN16 | GUARNIZIONE DIN EN 1514-1 DN100 PN16 | 1 |
| 4510 | 65311674 | GASANSCHLUSSSTÜCK DN100-DN65 GASAANSLUITBUIJS DN100/DN65 | COLLECTEUR DN100/DN65 COLLECTOR DN100/DN65 | COLLETTORE DN100/DN65 | 1 |
| | 65311675 | GASANSCHLUSSSTÜCK DN100-DN80 PN16 GASAANSLUITBUIJS DN100-DN80 PN16 | COLLECTEUR DN100-DN80 PN16 COLECTOR DN100-DN80 PN16 | COLLETTORE DN100-DN80 PN16 | 1 |
| | 65311676 | GASANSCHLUSSSTÜCK DN100-DN100 PN16 GASAANSLUITBUIJS DN100/DN100 | COLLECTEUR DN100/DN100 COLLECTOR DN100/DN100 | COLLETTORE DN100/DN100 | 1 |
| 4520 | 65311601 | GERADE-EINSCHRAUBST.P-EGES 12L/R 1/4WD RECHTE AANSLUITING P-EGES 12L/R 1/4WD | RACCORD DROIT P-EGES 12L/R 1/4WD RACOR RECTO P-EGES 12L/R 1/4WD | RACCORDO DESTRO P-EGES 12L/R 1/4WD | 1 |
| 4530 | 65311344 | T-VERSCHRAUBUNG P-TV 12 L T-STUK P-TV 12 L | RACCORD EN T P-TV 12 L RACOR EN T P-TV 12 L | RACCORDO A T P-TV 12 L | 1 |
| 4560 | 65311607 | VERSCHLUSSTOPFEN VSD 12L/S O.M.MB. STOP VSD 12L/S O.M.MB. | BOUCHON VSD 12L/S O.M.MB. TAPÓN VSD 12L/S O.M.MB. | TAPPO VSD 12L/S O.M.MB. | 1 |
| 4580 | 65311844 | GASVENTIL MBC1900 SE DN65 40-80MBAR GASKLEP MBC1900 SE DN65 40-80MBAR | VANNE GAZ MBC1900 SE DN65 40-80MBAR VALVULA GAS MBC1900SE DN65 40-80MBAR | VALVOLA GAS MBC1900 SE DN65 40-80MBAR | 1 |
| | 65311845 | GASVENTIL MBC3100 SE DN80 40-80 MBAR GASKLEP MBC3100 SE DN80 40-80 MBAR | VANNE GAZ MBC3100 SE DN80 40-80 MBAR VALVULA GAS MBC3100 SE DN80 40-80 MBAR | VALVOLA GAS MBC3100 SE DN80 40-80 MBAR | 1 |
| | 65311846 | GASVENTIL MBC5000 SE DN100 40-80 MBAR GASKLEP MBC5000 SE DN100 40-80 MBAR | VANNE GAZ MBC5000 SE DN100 40-80 MBAR VALVULA GAS MBC5000 SE DN100 40-80 MBAR | VALVOLA GAS MBC5000 SE DN100 40-80 MBAR | 1 |
| 4620 | 65311611 | DICHTUNG DIN EN 1514-1 DN65/PN16 AFDICHTING DIN EN 1514-1 DN65/PN16 | JOINT DIN EN 1514-1 DN65/PN16 JUNTA DIN EN 1514-1 DN65/PN16 | GUARNIZIONE DIN EN 1514-1 DN65/PN16 | 1 |
| | 65311612 | DICHTUNG DIN EN 1514-1DN 80 PN16 AFDICHTING DIN EN 1514-1DN 80 PN16 | JOINT DIN EN 1514-1DN 80 PN16 JUNTA DIN EN 1514-1DN 80 PN16 | GUARNIZIONE DIN EN 1514-1DN 80 PN16 | 1 |
| | 65311613 | DICHTUNG DIN EN 1514-1 DN100 PN16 AFDICHTING DIN EN 1514-1 DN100 PN16 | JOINT DIN EN 1514-1 DN100 PN16 JUNTA DIN EN 1514-1 DN100 PN16 | GUARNIZIONE DIN EN 1514-1 DN100 PN16 | 1 |
| 4640 | 65310852 | GASDRUCKWAECHTER GW 500 A5 30-500MB GASDRUKSCHAKELAAR GW 500 A5 30-500MB | MANOSTAT GAZ GW 500 A5 30-500MB PRESOSTATO GAS GW 500 A5 30-500MB | PRESSOSTATO GAS GW 500 A5 30-500MB | 1 |
| | 65323022 | GASDRUCKWAECHTER GW 150 A6 10-150MB GASDRUKSCHAKELAAR GW 150 A6 10-150MB | MANOSTAT GAZ GW 150 A6 10-150MB PRESOSTATO GAS GW 150 A6 10-150MB | PRESSOSTATO GAS GW 150 A6 10-150MB | 1 |
| 4650 | 65311615 | GERAETESTECKDOSE GDMW 30-11 DF STEKKER GDMW 30-11 DF | PRISE GDMW 30-11 DF TOMA GDMW 30-11 DF | PRESA GDMW 30-11 DF | 1 |
| 4800 | 65311460 | GASFILTER GF65MF-2020-A-1 DN65 1BAR GASFILTER GF65MF-2020-A-1 DN65 1BAR | FILTRE GAZ GF65MF-2020-A-1 DN65 1BAR FILTRO GAS GF65MF-2020-A-1 DN65 1BAR | FILTRO GAS GF65MF-2020-A-1 DN65 1BAR | 1 |
| | 65311461 | GASFILTER GF80MF-2424-A-1 DN80 1BAR GASFILTER GF80MF-2424-A-1 DN80 1BAR | FILTRE GAZ GF80MF-2424-A-1 DN80 1BAR FILTRO GAS GF80MF-2424-A-1 DN80 1BAR | FILTRO GAS GF80MF-2424-A-1 DN80 1BAR | 1 |
| | 65311462 | GASFILTER GF100MF-3232-A-1 DN100 1BAR GASFILTER GF100MF-3232-A-1 DN100 1BAR | FILTRE GAZ GF100MF-3232-A-1 DN100 1BAR FILTRO GAS GF100MF-3232-A-1 DN100 1BAR | FILTRO GAS GF100MF-3232-A-1 DN100 1BAR | 1 |
| 4801 | 65311723 | ERSATZTEILSET F.GASFILTER GF65MF FILTERELEMENT GF65MF | ELEMENT FILTRANT GF65MF ELEMENTO FILTRANTE GF65MF | ELEMENTO FILTRANTE GF65MF | 1 |
| | 65311888 | ERSATZTEILSET F.GASFILTER GF80MF FILTERELEMENT GF80MF | ELEMENT FILTRANT GF80MF ELEMENTO FILTRANTE GF80MF | ELEMENTO FILTRANTE GF80MF | 1 |
| | 65311889 | ERSATZTEILSET F.GASFILTER GF100MF FILTERELEMENT GF100MF | ELEMENT FILTRANT GF100MF ELEMENTO FILTRANTE GF100MF | ELEMENTO FILTRANTE GF100MF | 1 |
| 5002 | 65312445 | FEUERUNGSAUT. BT320 BASISEINSTELL. BRANDERAUT. BT320 BASIS AFSTELLING | COFFRET BT320 REGLAGE DE BASE PROGRAMADOR BT320 CONFIGUR. BÁSICA | APPARECCH. BT320 REGOL. BASE | 1 |
| | 65312446 | FEUERUNGSAUT. BT330 BASISEINSTELL. BRANDERAUT. BT330 BASIS AFSTELLING | COFFRET BT330 REGLAGE DE BASE PROGRAMADOR BT330 CONFIGUR. BÁSICA | APPARECCH. BT330 REGOL. BASE | 1 |
| | 65312448 | FEUERUNGSAUT. BT320 SPEZIAL EINSTELL. BRANDERAUT. BT320 SPEZIAL. AFSTELLING | COFFRET BT320 REGLAGE SPECIFIQUE PROGRAMADOR BT320 CONFIG. ESPECÍFICA | APPARECCH. BT320 REGOL. SPEZIAL. | 1 |
| | 65312449 | FEUERUNGSAUT. BT330 SPEZIAL EINSTELL. BRANDERAUT. BT330 SPEZIAL. AFSTELLING | COFFRET BT330 REGLAGE SPECIFIQUE PROGRAMADOR BT330 CONFIG. ESPECÍFICA | APPARECCH. BT330 REGOL. SPEZIAL. | 1 |
| | 65312452 | FEUERUNGSAUT. BT320 G-E,EU3,EF3(FQZ.UM.) BRANDERAUT.BT320 G-E,G-EU3,G-EF3(+FQ.O.) | COFFRET BT320 G-E,G-EU3,G-EF3(+REG.FRQ.) PROGR.BT320 G-E,G-EU3,G-EF3(+CONV.FREQ.) | APPAREC. BT320 G-E, G-EU3,G-EF3(+VARIAT.) | 1 |
| 5010 | 65311362 | PRUEFBR.M.DRUCKKNOPFHahn PB2 PROEFBRANDER MET DRUKKNOP PB2 | BRULEUR ESSAI AVEC B. POUSSOIR PB2 QUEMADOR DE PRUEBA CON PULSADOR PB2 | BRUCIATORE DI PROVA CON PULSANTE PB2 | 1 |
| 5015 | 65311790 | LCM100 MODUL (LSB-M 667R0500-1) LCM100-MODULE (LSB-M 667R0500-1) | MODULE LCM100 (LSB-M 667R0500-1) MÓDULO LCM100 (LSB-M 667R0500-1) | MODULO LCM100 (LSB-M 667R0500-1) | 1 |
| 5020 | 65311918 | VSM100 MODUL VMS100-MODULE | MODULE VSM100 MÓDULO VSM100 | MODULO VSM100 | 1 |
| 5035 | 65312550 | IND. NÄHERUNGSSCHALTER NAMUR NI5-G12-Y1 SENSOR NAMUR NI5-G12-Y1 | CAPTEUR NAMUR NI5-G12-Y1 SENSOR NAMUR NI5-G12-Y1 | SENSORE NAMUR NI5-G12-Y1 | 1 |
| 5300 | 65114033 | UNIVERSALREGLER RWF 55.50A9 REGELAAR RWF 55.50A9 | REGULATEUR RWF 55.50A9 REGULADOR RWF 55.50A9 | REGOLATORE RWF 55.50A9 | 1 |
| 5500 | 65312274 | FOTOZELLE FFS08-UV1 659D31 - 5M W/O FOTOCCEL FFS08-UV1 659D31 - 5M W/O | CELLULE FFS08-UV1 659D31 - 5M W/O CELULA FFS08-UV1 659D31 - 5M W/O | CELLULA FFS08-UV1 659D31 - 5M W/O | 1 |

| | | RU | | PT | | PL | | X |
|------|------------|--|--|---|--|--|--|---|
| | | TR | | | | | | |
| 1040 | 65311665 | ВОЗДУХОЗАБОРНИК D332x127,5 HAVA GİRİŞ D332x127,5 | | ENTRADA DE AR D332x127,5 | | WLOT POWIETRZA D332x127,5 | | 1 |
| | 65311672 | ВОЗДУХОЗАБОРНИК D318x134 HAVA GİRİŞ D318x134 | | ENTRADA DE AR D318x134 | | WLOT POWIETRZA D318x134 | | 1 |
| | 65311673 | ВОЗДУХОЗАБОРНИК D288x127 HAVA GİRİŞ D288x127 | | ENTRADA DE AR D288x127 | | WLOT POWIETRZA D288x127 | | 1 |
| 1050 | 1180603227 | БЕСЦВЕТ. ГЛАЗОК ДЛЯ КОНТРОЛЯ ПЛАМЕНИ RENKSİZ GÖZETLEME CAMI D55X21 | | VIGIA INCOLOR D55X21 | | WZIERNIK BEZBARWNA D55X21 | | 1 |
| 1060 | 1188052260 | ГЛАЗОК ДЛЯ КОНТРОЛЯ ПЛАМЕНИ КОРОБ KARAK/GÖZETLEME CAMI D55X61 | | TAMPA VIGIA D55X61 | | POKRYWA/WZIERNIK D55X61 | | 1 |
| 1065 | 65312849 | ШКАЛУ-ИНДИКАТОР ХОДА ЕКЕВО 8/9 INDICATOR ISKALA EKEVO 8/9 | | INDICADOR AJUST. CON ESCALA EKEVO 8/9 | | WSKAŹNIK + SKALI EKEVO 8/9 | | 1 |
| 1070 | 1180559591 | ГАЙКА/ГЛАЗОК ДЛЯ КОНТРОЛЯ ПЛАМЕНИ SOMUN/GÖZETLEME CAMI M48X1,5 SW60 | | PARAFUSO VIGIA M48X1,5 SW60 | | NAKRĘTKA/WZIERNIK M48X1,5 SW60 | | 1 |
| 1075 | 65312851 | ОСЬ ЗАСЛОНКИ УКАЗАТЕЛЯ ЕКЕВО 8/9 GÖSTERGE KLAPE AKSI EKEVO 8/9 | | VEIO ALETA AR COM PONTEIRO EKEVO 8/9 | | OS PRZEPUSTNICY WSKAZNIK EKEVO 8/9 | | 1 |
| 1076 | 65312854 | ОСЬ ЗАСЛОНКИ СЕРВОДВИГАТЕЛЬ ЕКЕВО8/9G GÖSTERGE KLAPE AKSI SERVOMOT. EKEVO8/9G | | VEIO ALETA AR ACTUADOR EKEVO8/9G | | OS PRZEPUSTNICY SERWOMOTOR EKEVO8/9G | | 1 |
| 1080 | 65311663 | РАБОЧЕЕ КОЛЕСО D580/334X92 d48 TÜRBİN D580/334X92 d48 | | TURBINA D580/334X92 d48 | | WIMIK D580/334X92 d48 | | 1 |
| | 65311664 | РАБОЧЕЕ КОЛЕСО D580/334X90 d42 TÜRBİN D580/334X90 d42 | | TURBINA D580/334X90 d42 | | WIMIK D580/334X90 d42 | | 1 |
| | 65311670 | РАБОЧЕЕ КОЛЕСО D556/320X86 d42 TÜRBİN D556/320X86 d42 | | TURBINA D556/320X86 d42 | | WIMIK D556/320X86 d42 | | 1 |
| | 65311671 | РАБОЧЕЕ КОЛЕСО D525/290X81 d42 TÜRBİN D525/290X81 d42 | | TURBINA D525/290X81 d42 | | WIMIK D525/290X81 d42 | | 1 |
| 1090 | 65311471 | ТРАНСФО РОЗЖИГА ЕБИ 1X11 230V ATEŞLEME TRAFO. EBI 1X11 230V | | TRANSFO IGNIÇÃO EBI 1X11 230V | | TRANSFO ZAPŁONOWY EBI 1X11 230V | | 1 |
| 1100 | 65311472 | ЗЕРКАЛО/ГЛАЗОК ДЛЯ КОНТРОЛЯ ПЛАМЕНИ AYNA/GÖZETLEME CAMI | | ESPELHO/VIGIA | | LUSTRO/WZIERNIK | | 1 |
| 1110 | 65311595 | РЕЛЕ ДАВ. ВОЗДУХА LGW 50 A2P 2,5-50MB HAVA BASINÇ ŞALT. LGW 50 A2P 2,5-50MB | | PRESSOSTATO AR LGW 50 A2P 2,5-50MB | | CZUJNIK CIŚ. POW. LGW 50 A2P 2,5-50MB | | 1 |
| 1120 | 65312855 | ГАЗОВЫЙ КЛАПАН+СЕРВОДВИГАТЕЛЬ В СБОРЕ GAZ KLAPEŞİ+KOMPLE SERVO MOTOR | | VÁLVULA DE GÁS + ATUADOR COMPLETO | | ZAWÓR GAZU+SERWOMOTOR KOMPLETNY | | 1 |
| 1121 | 65312853 | ГАЗОВЫЙ КЛАПАН RP4 STE4,5 3N-STM30+O'RG GAZ KLAPEŞİ RP4 STE4,5 3N-STM30+O'RING | | VÁLVULA GÁS RP4 STE4,5 3N-STM30+O'RING | | ZAWÓR GAZU.RP4 STE4,5 3N-STM30+O'RING | | 1 |
| 1122 | 65323999 | O-RING NBR 8475 (120,00x6,99) O-RING NBR 8475 (120,00x6,99) | | O-RING NBR 8475 (120,00x6,99) | | O-RING NBR 8475 (120,00x6,99) | | 1 |
| 1150 | 65311650 | СЕРВОДВИГАТЕЛЬ STE 4,5 BT3XX SERVOMOTOR STE 4,5 BT3XX | | SERVOMOTOR STE 4,5 BT3XX | | SERWOMOTOR STE 4,5 BT3XX | | 1 |
| 1160 | 65311650 | СЕРВОДВИГАТЕЛЬ STE 4,5 BT3XX SERVOMOTOR STE 4,5 BT3XX | | SERVOMOTOR STE 4,5 BT3XX | | SERWOMOTOR STE 4,5 BT3XX | | 1 |
| 1170 | 65326333 | ЭЛЕКТРОДВИГАТЕ. 11KW 400/690 D42 IE3 BK MOTORU 11KW 400/690V D42 IE3 ELV BLACK | | MOTOR 11KW 400/690V D42 IE3 ELV NEGRO | | SILNIK 11KW 400/690V D42 IE3 ELV BLACK | | 1 |
| | 65326334 | ЭЛЕКТРОДВИГАТЕ. 15KW 400/690V D42 IE3 BK MOTORU 15KW 400/690V D42 IE3 ELV BLACK | | MOTOR 15KW 400/690V D42 IE3 ELV NEGRO | | SILNIK 15KW 400/690V D42 IE3 ELV BLACK | | 1 |
| | 65326335 | ЭЛЕКТРОДВИГА. 18,5KW 400/690V D42 IE3 BK MOTORU 18,5KW 400/690V D42 IE3 ELV BLACK | | MOTOR 18,5KW 400/690V D42 IE3 ELV NEGRO | | SILNIK 18,5KW 400/690V D42 IE3 ELV BLACK | | 1 |
| | 65326336 | ЭЛЕКТРОДВИГАТЕ. 22KW 400/690V D48 IE3 BK MOTORU 22KW 400/690V D48 IE3 ELV BLACK | | MOTOR 22KW 400/690V D48 IE3 ELV NEGRO | | SILNIK 22KW 400/690V D48 IE3 ELV BLACK | | 1 |
| 1171 | 65311933 | САЛБНИК M32X1,5 KABLO BEZİ M32X1,5 | | PRENSAESTOPAS M32X1,5 | | DŁAWNICA M32X1,5 | | 1 |
| | 65311934 | САЛБНИК M40X1,5 KABLO BEZİ M40X1,5 | | PRENSAESTOPAS M40X1,5 | | DŁAWNICA M40X1,5 | | 1 |
| 1172 | 65312850 | ТЕРМИНАЛ ВИНТ РАСШИРЕНИЕ M32-M40 KABLO BEZİ UZANTISI M32-M40 | | EXTENSAO PRENSAESTOPAS M32-M40 | | PRZEDŁUŻENIE DŁAWIK M32-M40 | | 1 |
| 1200 | 65312856 | ВОЗДУШНАЯ ЗАСЛОНКА В СБОРЕ ЕКЕВО8/9 DONANIMLI HAVA KLAPEŞİ EKEVO8/9 | | CONJUNTO ALETA DE AR EKEVO8/9 | | PRZEPUSTNICA POWIETR. Z OSPR.EKEVO8/9 | | 1 |
| 1400 | 65312848 | ЗУБЧАТОЕ КОЛЕ. Z=100 M=1 BO=12MM ЕКЕВО8/9 DIŞLI ÇARK Z=100 M=1 BO=12MM ЕКЕВО8/9 | | RODA DENTADA Z=100 M=1 BO=12MM ЕКЕВО8/9 | | KOŁO ZĘBATE Z=100 M=1 BO=12MM ЕКЕВО8/9 | | 1 |
| 1510 | 65312340 | ЧЕХОЛ ЭЛЕКТРОННОГО ЩИТА ELEKTRİK MUHAFAZA KAPAĞI | | TAMPA DO ARMÁRIO ELÉTRICO | | POKRYWA URZĄDZEŃ ELEKTRYCZNYCH | | 1 |
| 1512 | 65312338 | ЗАГЛУШКА/РЕГУЛЯТОР 92X45 IP54 OBTURATOER/REGÜLATÖR 92X45 IP54 | | TAMPA CEGA/CONTROLADOR 92X45 IP54 | | ZAŚLEPKA/REGULATOR 92X45 IP54 | | 1 |
| 1520 | 65300975 | ДИСПЛЕЙ FOR БЛОК УПРАВЛЕНИЯ BT3XX EKRAN KUTU BT3XX | | VISOR UNIDADE DE CONTROLE BT3XX | | WYŚWIETLACZ MODUŁ BT3XX | | 1 |
| 1525 | 65311364 | УПЛОТНИТЕЛЬНАЯ ПРОКЛАДКА/ДИСПЛЕЙ CONTA/EKRAN | | JUNTA/VISOR | | USZCZELKA/WYŚWIETLACZ | | 1 |
| 1530 | 65312451 | БЛОК УПРАВЛЕНИЯ BT320 G-E, G-EU3, G-EF3 KUTU BT320 G-E, G-EU3, G-EF3 | | UNIDADE CONTROLE BT320 G-E, G-EU3 | | MODUŁ BT320 G-E, G-EU3, G-EF3 | | 1 |
| 1580 | 65311798 | РАЗЪЕДИНИТ. ЭЛЕКТРОДВИ. 15kW GV2ME32 DEVRE KESİCİ MOTOR 15kW GV2ME32 | | DISJUNTOR MOTOR 15kW GV2ME32 | | WYŁĄCZNIKI SILNIK 15kW GV2ME32 | | 1 |

| |  |  |  |  |  |
|------|---|---|---|---|---|
| | XXXXXXXX | RU TR | PT | PL | |
| | 65311917 | РАЗЪЕДИНИТ. ЭЛЕКТРОДВИ. 22kW GV3P50 DEVRE KESİCİ MOTOR 22kW GV3P50 | DISJUNTOR MOTOR 22kW GV3P50 | WYŁĄCZNIKI SILNIK 22kW GV3P50 | 1 |
| | 65312018 | РАЗЪЕДИНИТ. ЭЛЕКТРОДВИ. 11kW GV2ME22 DEVRE KESİCİ MOTOR 11kW GV2ME22 | DISJUNTOR MOTOR 11kW GV2ME22 | WYŁĄCZNIKI SILNIK 11kW GV2ME22 | 1 |
| | 65312019 | РАЗЪЕДИНИТ. ЭЛЕКТРОДВИ. 18,5kW GV3P40 DEVRE KESİCİ MOTOR 18,5kW GV3P40 | DISJUNTOR MOTOR 18,5kW GV3P40 | WYŁĄCZNIKI SILNIK 18,5kW GV3P40 | 1 |
| 1585 | 65311795 | ВСПОМОГАТЕЛЬНЫЙ ПЕРЕКЛЮЧАТЕЛЬ GVAE11 YARDIMCI ANAHTARI GVAE11 | INTERRUPTOR AUXILIAR GVAE11 | PRZEŁĄCZNIK POMOCNICZY GVAE11 | 1 |
| 1595 | 65311796 | ПУСКАТЕЛЬ ДВИГАТЕЛЯ Y/D 18kW LC3D18AP7 MARŞ MOTORU Y/D 18kW LC3D18AP7 | ARRANCADOR MOTOR Y/D 18kW LC3D18AP7 | ROZRUSZ. SILNIKA Y/D 18kW LC3D18AP7 | 1 |
| | 65311797 | ПУСКАТЕЛЬ ДВИГАТЕЛЯ Y/D 22kW LC3D32AP7 MARŞ MOTORU Y/D 22kW LC3D32AP7 | ARRANCADOR MOTOR Y/D 22kW LC3D32AP7 | ROZRUSZ. SILNIKA Y/D 22kW LC3D32AP7 | 1 |
| | 65312015 | ПУСКАТЕЛЬ ДВИГАТЕЛЯ Y/D 11kW LC3D12AP7 MARŞ MOTORU Y/D 11kW LC3D12AP7 | ARRANCADOR MOTOR Y/D 11kW LC3D12AP7 | ROZRUSZ. SILNIKA Y/D 11kW LC3D12AP7 | 1 |
| 1600 | 65312334 | СИГНАЛЬНАЯ ЛАМПА ЭЛЕКТРОННОГО ЩИТА İKAZ IŞIĞI ELEKTRİK MUHAFAZA | LUZ INDICADORA DO ARMÁRIO ELÉTRICO | LAMPKA KONTROLNA URZĄDZEŃ ELEKTRY. | 1 |
| 1601 | 65312335 | ПЕРЕКЛЮЧАТЕЛЬ 2 ПОЗ. ANAHTARI İKİ POZİSYONLU | INTERRUPTOR 2 POS. | PRZEŁĄCZNIK 2 POZ. | 1 |
| 1602 | 65312336 | ПЕРЕКЛЮЧАТЕЛЬ 3 ПОЗ. ANAHTARI ÜÇ POZİSYONLU | INTERRUPTOR 3 POS. | PRZEŁĄCZNIK 3 POZ. | 1 |
| 1604 | 65312337 | ПЕРЕКЛЮЧАТЕЛЬ 2 ПОЗ. МОМЕНТ. СНИМОК ANAHTARI İKİ POZİSYONLU ANINDA | INTERRUPTOR MOMENTÂNEO 2 POS. | PRZEŁĄCZNIK 2 POZ. MIGAWKA | 1 |
| 1605 | 65312341 | ЗАГЛУШКА/ЧЕХОЛ ЭЛЕКТРОННОГО ЩИТА OBTURATOR/ELEKTR. MUHAFAZA KAPAĞI | TAMPA CEGA/TAMPA DO ARMÁRIO ELÉTRICO | ZASŁEPKA/POKRYWA URZĄDZEŃ ELEKTR. | 1 |
| 1610 | 65311758 | ТЕРМИНАЛ ВИНТ M20 VIDALI TERMINAL M20 | TERMINAL DE APARAFUSAR M20 | ZACISKI ŚRUBOWE M20 | 1 |
| 1611 | 65311451 | ТЕРМИНАЛ ВИНТ M16 VIDALI TERMINAL M16 | TERMINAL DE APARAFUSAR M16 | ZACISKI ŚRUBOWE M16 | 1 |
| 1612 | 65312852 | КАБЕЛЬНЫЙ ВВОД CLICK M25 KABLO BEZİ CLICK M25 | PRENSAESTOPAS CLICK M25 | DŁAWNICA CLICK M25 | 1 |
| 1700 | 65311446 | ИНСТРУМЕНТЫ 2009-309 İŞLETİM ARAC 2009-309 | FERRAMENTA 2009-309 | NARZĘD. D.PRZEŁĄCZANIA 2009-309 | 1 |
| 2020 | 65311656 | СОПЛО ГОРЕЛКИ D369/303 L555 DELTA BRÜLÖR BORUSU D369/303 L555 DELTA | TUBO DO QUEIMADOR D369/303 L555 DELTA | RURA PALNIKA D369/303 L555 DELTA | 1 |
| | 65311661 | СОПЛО ГОРЕЛКИ D431,5/362 L605 DELTA BRÜLÖR BORUSU D431,5/362 L605 DELTA | TUBO DO QUEIMADOR D431,5/362 L605 DELTA | RURA PALNIKA D431,5/362 L605 DELTA | 1 |
| | 65312006 | СОПЛО ГОРЕЛКИ D369/303 L695 DELTA BRÜLÖR BORUSU D369/303 L695 DELTA | TUBO DO QUEIMADOR D369/303 L695 DELTA | RURA PALNIKA D369/303 L695 DELTA | 1 |
| | 65312007 | СОПЛО ГОРЕЛКИ D369/303 L835 DELTA BRÜLÖR BORUSU D369/303 L835 DELTA | TUBO DO QUEIMADOR D369/303 L835 DELTA | RURA PALNIKA D369/303 L835 DELTA | 1 |
| | 65312011 | СОПЛО ГОРЕЛКИ D431,5/362 L755 DELTA BRÜLÖR BORUSU D431,5/362 L755 DELTA | TUBO DO QUEIMADOR D431,5/362 L755 DELTA | RURA PALNIKA D431,5/362 L755 DELTA | 1 |
| | 65312012 | СОПЛО ГОРЕЛКИ D431,5/362 L905 DELTA BRÜLÖR BORUSU D431,5/362 L905 DELTA | TUBO DO QUEIMADOR D431,5/362 L905 DELTA | RURA PALNIKA D431,5/362 L905 DELTA | 1 |
| 2110 | 65311654 | ДЕФЛЕКТОР D298/140 TKD230 45° DEFLEKTOR D298/140 TKD230 45° | DEFLECTOR D298/140 TKD230 45° | DEFLEKTOR D298/140 TKD230 45° | 1 |
| | 65311679 | ДЕФЛЕКТОР D255/140 TKD230 45° DEFLEKTOR D255/140 TKD230 45° | DEFLECTOR D255/140 TKD230 45° | DEFLEKTOR D255/140 TKD230 45° | 1 |
| | 65311680 | ДЕФЛЕКТОР D270/140 TKD230 45° DEFLEKTOR D270/140 TKD230 45° | DEFLECTOR D270/140 TKD230 45° | DEFLEKTOR D270/140 TKD230 45° | 1 |
| | 65311697 | ДЕФЛЕКТОР D260/140 TKD230 45° DEFLEKTOR D260/140 TKD230 45° | DEFLECTOR D260/140 TKD230 45° | DEFLEKTOR D260/140 TKD230 45° | 1 |
| 2120 | 1688611605 | ЗАГЛУШКА D12/30X40 KERENK D12/30X40 | OBTURADOR D12/30X40 | ZASŁEPKA D12/30X40 | 1 |
| 2130 | 65311698 | ГАЗОВЫЕ ДИФФУЗОРЫ (ЛОКОТЬ) D40X2,2 L60 GAZ DIFÜZOERÜ (DIRSEK) D40X2,2 L60 | BICO DE GÁS (COTOVELO) D40X2,2 L60 | DYSZA GAZU (ŁOKIEC) D40X2,2 L60 | 1 |
| | 65311699 | ГАЗОВЫЕ ДИФФУЗОРЫ (ЛОКОТЬ) D40X2,2 L70 GAZ DIFÜZOERÜ (DIRSEK) D40X2,2 L70 | BICO DE GÁS (COTOVELO) D40X2,2 L70 | DYSZA GAZU (ŁOKIEC) D40X2,2 L70 | 1 |
| | 65311703 | ГАЗОВЫЕ ДИФФУЗОРЫ (ЛОКОТЬ) D40X2,2 GAZ DIFÜZOERÜ (DIRSEK) D40X2,2 | BICO DE GÁS (COTOVELO) D40X2,2 | DYSZA GAZU (ŁOKIEC) D40X2,2 | 1 |
| 2140 | 65311653 | ГАЗОВЫЕ ДИФФУЗОРЫ D30X60 45GR. GAZ DIFÜZOERÜ D30X60 45GR. | BICO DE GÁS D30X60 45GR. | DYSZA GAZU D30X60 45GR. | 1 |
| | 65311700 | ГАЗОВЫЕ ДИФФУЗОРЫ D30X2 45 L40 GAZ DIFÜZOERÜ D30X2 45 L40 | BICO DE GÁS D30X2 45 L40 | DYSZA GAZU D30X2 45 L40 | 1 |
| | 65311711 | ГАЗОВЫЕ ДИФФУЗОРЫ D30X45 45GR. GAZ DIFÜZOERÜ D30X45 45GR. | BICO DE GÁS D30X45 45GR. | DYSZA GAZU D30X45 45GR. | 1 |
| 2145 | 65311692 | ГАЗОВЫЕ ДИФФУЗОРЫ D40X2,2X90 GAZ DIFÜZOERÜ D40X2,2X90 | BICO DE GÁS D40X2,2X90 | DYSZA GAZU D40X2,2X90 | 1 |
| | 65311704 | ГАЗОВЫЕ ДИФФУЗОРЫ D40X2,2X45GR GAZ DIFÜZOERÜ D40X2,2X45GR | BICO DE GÁS D40X2,2X45GR | DYSZA GAZU D40X2,2X45GR | 1 |
| 2150 | 65310279 | ГАЗОВЫЙ ТРУБКА D35X2,2X360 2XM5 GAZ TUPLU D35X2,2X360 2XM5 | TUBO GAS D35X2,2X360 2XM5 | BORUSU GAZOWY D35X2,2X360 2XM5 | 1 |

| | ☰ | XXXXXXXXXX | RU | PT | PL | X |
|------|------------|------------|--|--|--|---|
| | | | TR | | | |
| | | | ГАЗОВЫЙ ТРУБКА D35X2,2X360 GAZ TUPLU D35X2,2X360 | TUBO GAS D35X2,2X360 | BORUSU GAZOWY D35X2,2X360 | 1 |
| 2155 | | | ГАЗОВЫЙ ТРУБКА D35X2,2X360 1XM5 GAZ TUPLU D35X2,2X360 1XM5 | TUBO GAS D35X2,2X360 1XM5 | BORUSU GAZOWY D35X2,2X360 1XM5 | 1 |
| 2160 | | | ГАЗОВЫЙ ТРУБКА D35X2,2X360 1XM5 GAZ TUPLU D35X2,2X360 1XM5 | TUBO GAS D35X2,2X360 1XM5 | BORUSU GAZOWY D35X2,2X360 1XM5 | 1 |
| | | | ТРУБКА ГАЗОВЫЕ D35X2,2X360 GAZ TUPLU D35X2,2X360 | TUBO GAS D35X2,2X360 | BORUSU GAZOWY D35X2,2X360 | 1 |
| 2170 | | | ГАЗОВЫЕ ДИФФУЗОРЫ D30x2/D12x1,5 GAZ DIFÜZOERÜ D30x2/D12x1,5 | BICO DE GÁS D30x2/D12x1,5 | DYSZA GAZU D30x2/D12x1,5 | 1 |
| | | | ГАЗОВЫЕ ДИФФУЗОРЫ D30X2/D12X1 L90 GAZ DIFÜZOERÜ D30X2/D12X1 L90 | BICO DE GÁS D30X2/D12X1 L90 | DYSZA GAZU D30X2/D12X1 L90 | 1 |
| 2180 | | | ГАЗОВЫЙ ТРУБКА D35x2.2x45GR. GAZ TUPLU D35x2.2x45GR. | TUBO GAS D35x2.2x45GR. | BORUSU GAZOWY D35x2.2x45GR. | 1 |
| 2190 | | | ДАТЧИК ИОНИЗА. D11X110 d6,4 D2,5X95 45° İYONIZASYON SONDA D11X110d6,4d2,5X95 45° | SONDA IONIZACION D11X110 d6,4D2,5X95 45° | SONDA JONIZACYJNY D11X110d6,4d2,5X95 45° | 1 |
| | | | ДАТЧИК ИОНИЗА. D11X110 d6,4 D2,5X130 45° İYONIZA. SONDA D11X110 d6,4 D2,5X130 45° | SONDA IONIZACION D11X110d6,4D2,5X130 45° | SONDA JONIZAC. D11X110 d6,4 D2,5X130 45° | 1 |
| 2200 | 1728777751 | | РОЗЖИГОВЫЙ КАБЕЛЬ СИЛИКОНОВЫЙ L1500 ATEŞLEME KABLOSU SILIKON L1500 | CABO DE IGNIÇÃO SILICONE C.1500 | PRZEWÓD ZAPŁONOWY SILIKON L1500 | 1 |
| 2210 | | | ДЕРЖАТЕЛЬ ЭЛЕКТРОД DESTEĞİ ELEKTROD | SUPORTE ELETRODO | WSPORNIK ELEKTRODA | 1 |
| | | | ДЕРЖАТЕЛЬ ЭЛЕКТРОД (ПОДОЛГУ) DESTEĞİ ELEKTROD (UZUN) | SUPORTE ELETRODO (LONGO) | WSPORNIK ELEKTRODA (DŁUGI) | 1 |
| 2230 | | | ЭЛЕКТРОД ЗАЖИ. D11X100D6,4D2,5X150 45° ATEŞLEYİCİ ELEKT. D11X100D6,4D2,5X150 45° | ELETRODO ENC. D11X100 d6,4 D2,5X150 45° | ELEKTRODA ALU. D11X100 d6,4 D2,5X150 45° | 1 |
| 2250 | | | ПРОКЛАДКА ДЛЯ ОВАЛЬНОГО ФЛАНЦА DN100 CONTASI OVAL FLANŞ İÇİN DN100 | GAXETA PARA FLANGE OVAL DN100 | USZCZELKA ZA KOŁNIERZ OWALNY DN100 | 1 |
| 2260 | | | ЦЕНТРИРОВАНИЯ СТОЛБ N8/EKEVO8 MERKEZLEME AYAGI N8/EKEVO8 | PILAR DE CENTRAGEM N8/EKEVO8 | CENTROWANIE FILAR N8/EKEVO8 | 1 |
| | | | ЦЕНТРИРОВАНИЯ СТОЛБ N9/EKEVO9 MERKEZLEME AYAGI N9/EKEVO9 | PILAR DE CENTRAGEM N9/EKEVO9 | CENTROWANIE FILAR N9/EKEVO9 | 1 |
| 3005 | | | УПЛОТНИТ. ПРОКЛАДКА DIN EN 1514-1 DN100 CONTA DIN EN 1514-1 DN100 PN16 | JUNTA DIN EN 1514-1 DN100 PN16 | USZCZELKA DIN EN 1514-1 DN100 PN16 | 1 |
| 3010 | | | КОЛЛЕКТОР DN100-R2Z 2G1/4 PN16 MANIFOLD DN100-R2Z 2G1/4 PN16 | COLETOR DN100-R2Z 2G1/4 PN16 | KOLEKTOR DN100-R2Z 2G1/4 PN16 | 1 |
| 3020 | | | ПРЯМОЙ ШТУЦЕР P-GEV 8LR-WD-VI SAĞ RAKOR P-GEV 8LR-WD-VI | UNIÃO DIREITA P-GEV 8LR-WD-VI | ZŁĄCZE PRAWIE P-GEV 8LR-WD-VI | 1 |
| 3030 | | | УГЛОВОЙ ШТУЦЕР P-EWV 8-L DIRSEKLI RAKOR P-EWV 8-L | UNIÃO COTOVELO P-EWV 8-L | ZŁĄCZKA TYPU KOLANKO P-EWV 8-L | 1 |
| 3040 | | | ШТУЦЕР ОТБОРА ДАВЛЕНИЯ R1/4Z+УПЛОТ. BASINÇ GIRIŞI R1/4Z+CONTA | TOMADA DE PRESSÃO R1/4Z+JUNTA | GNIĄZ. POMIARU CIŚNIEN. R1/4Z+USZCZEL | 1 |
| 3060 | | | ГАЗОВЫЙ КЛАПАН VGD20 5011 RP2" GAZ VANASI VGD20 5011 RP2" | VALVULA GAS VGD20 5011 RP2" | ZAWÓR GAZOWY VGD20 5011 RP2" | 1 |
| 3070 | | | СЕРВОДВИГАТЕЛЬ SKP25.003 E2 БЕЗ КОНЦЕВЫ SERVOMOTOR SKP 25.003 E2 LIMIT ANAHTAR | SERVOMOT. GÁS SKP25.003 E2 SEM FIM CURSO | SERWOSILNIK SKP25.003E2 BEZ WYŁĄCZNIKI | 1 |
| 3080 | | | СОЕДИНИТЕЛЬНЫЙ КАБЕЛЬ AGA62.000A000 BAĞLANTI KABLOSU AGA62.000A000 | CABO DE LIGAÇÃO AGA62.000A000 | PRZEWÓD POŁĄCZENIOWY AGA62.000A000 | 1 |
| 3090 | 1478836180 | | СЕРВОДВИГАТЕЛЬ SKP15.000E2 БЕЗ КОНЦЕВЫ SERVOMOTOR SKP15.000E2 LIMIT ANAHTAR | SERVOMOTOR GAS SKP15.000E2 SEM FIM CURSA | SERWOSILNIK SKP15.000E2 BEZ WYŁĄCZNIKI | 1 |
| 3110 | | | ФЛАНЕЦ AGF10.50 RP2 FLANŞI AGF10.50 RP2 | FLANGE AGF10.50 RP2 | KOŁNIERZ AGF10.50 RP2 | 1 |
| 3120 | | | РЕЛЕ ДАВ. ВОЗДУХА GW 500 A5 30-500MB GAZ BASINÇ ŞALT. GW 500 A5 30-500MB | PRESSOSTATO GÁS GW 500 A5 30-500MB | CZUJNIK CIŚ. GAZU GW 500 A5 30-500MB | 1 |
| | | | РЕЛЕ ДАВ. ВОЗДУХА GW 150 A6 10-150MB GAZ BASINÇ ŞALT. GW 150 A6 10-150MB | PRESSOSTATO GAS GW 150 A6 10-150MB | CZUJNIK CIŚ. GAZU GW 150 A6 10-150MB | 1 |
| 3130 | | | ГНЕЗДОВОЙ РАЗЪЕМ AGA64 DIŞİ PRIZ AGA64 | TOMADA FÊMEA AGA64 | GNIĄZDO AGA64 | 1 |
| 3140 | | | РАЗЪЕМ GDMW 30-11 DF PRIZ GDMW 30-11 DF | TOMADA GDMW 30-11 DF | GNIĄZDO GDMW 30-11 DF | 1 |
| 3300 | | | ГАЗОВЫЙ ФИЛЬТР GF80M-1616-A-1 RP2 1BAR GAZ FILTR. GF80M-1616-A-1 RP2 1BAR | FILTRO GÁS GF80M-1616-A-1 RP2 1BAR | FILTR GAZU GF80M-1616-A-1 RP2 1BAR | 1 |
| 3301 | | | ФИЛЬТРУЮЩИЙ ЭЛЕМЕНТ GF 80M FILTRE ELEMANI GF 80M | ELEMENTO FILTRANTE GF 80M | WKŁAD FILTRA GF 80M | 1 |
| 3505 | | | УПЛОТНИТ. ПРОКЛАДКА DIN EN 1514-1 DN100 CONTA DIN EN 1514-1 DN100 PN16 | JUNTA DIN EN 1514-1 DN100 PN16 | USZCZELKA DIN EN 1514-1 DN100 PN16 | 1 |
| 3510 | | | КОЛЛЕКТОР DN100 / R2 MANIFOLD DN100 / R2 | COLETOR DN100 / R2 | KOLEKTOR DN100 / R2 | 1 |
| 3580 | | | ГАЗОВЫЙ КЛАПАН MBC1200SES82RP2" 5-80MB GAZ VANA. MBC1200 SE S82 RP2" 5-80 MB | VÁLVULA GÁS MBC1200 SE S82 RP2" 5-80MBA | ZAWÓR GAZ. MBC1200SES82 RP2" 5-80MB | 1 |
| 3620 | | | ФЛАНЕЦ MBC700/1200 RP2 FLANŞI MBC700/1200 RP2 | FLANGE MBC700/1200 RP2 | KOŁNIERZ MBC700/1200 RP2 | 1 |

| | |  |  |  |  |
|------|------------|--|---|---|---|
| 3640 | 65310852 | РЕЛЕ ДАВ. ВОЗДУХА GW 500 A5 30-500MB GAZ BASINÇ ŞALT. GW 500 A5 30-500MB | PRESSOSTATO GÁS GW 500 A5 30-500MB | CZUJNIK CIŚ. GAZU GW 500 A5 30-500MB | 1 |
| | 65311598 | РЕЛЕ ДАВ. ВОЗДУХА GW 150 A5 30-150MB GAZ BASINÇ ŞALT. GW 150 A5 30-150MB | PRESSOSTATO GAS GW 150 A5 30-150MB | CZUJNIK CIŚ. GAZU GW 150 A5 30-150MB | 1 |
| 3650 | 65311615 | РАЗЪЕМ GDMW 30-11 DF PRIZ GDMW 30-11 DF | TOMADA GDMW 30-11 DF | GNIAZDO GDMW 30-11 DF | 1 |
| 3700 | 13022417 | СЕТЧАТЫЙ ФИЛЬТР/ГАЗОВЫЙ КЛАП. MBC1200 FILTRE SÜZGECİ/GAZ VANASI MBC1200 | ELEMENTO FILTRANTE/VÁLVULA GÁS MBC1200 | FILTR SITOWY/ZAWÓR GAZOWY MBC1200 | 1 |
| 3800 | 65311459 | ГАЗОВЫЙ ФИЛЬТР GF80M-1616-A-1 RP2 1BAR GAZ FILTR. GF80M-1616-A-1 RP2 1BAR | FILTRO GÁS GF80M-1616-A-1 RP2 1BAR | FILTR GAZU GF80M-1616-A-1 RP2 1BAR | 1 |
| 3801 | 65311361 | ФИЛЬТРУЮЩИЙ ЭЛЕМЕНТ GF 80M FILTRE ELEMANI GF 80M | ELEMENTO FILTRANTE GF 80M | WKŁAD FILTRA GF 80M | 1 |
| 4005 | 65311613 | УПЛОТНИТ. ПРОКЛАДКА DIN EN 1514-1 DN100 CONTA DIN EN 1514-1 DN100 PN16 | JUNTA DIN EN 1514-1 DN100 PN16 | USZCZELKA DIN EN 1514-1 DN100 PN16 | 1 |
| 4010 | 65311674 | КОЛЛЕКТОР DN100/DN65 MANIFOLD DN100/DN65 | COLETOR DN100/DN65 | KOLEKTOR DN100/DN65 | 1 |
| | 65311675 | КОЛЛЕКТОР DN100-DN80 PN16 MANIFOLD DN100-DN80 PN16 | COLETOR DN100-DN80 PN16 | KOLEKTOR DN100-DN80 PN16 | 1 |
| | 65311676 | КОЛЛЕКТОР DN100/DN100 MANIFOLD DN100/DN100 | COLETOR DN100/DN100 | KOLEKTOR DN100/DN100 | 1 |
| | 65311677 | КОЛЛЕКТОР DN100/DN125 MANIFOLD DN100/DN125 | COLETOR DN100/DN125 | KOLEKTOR DN100/DN125 | 1 |
| 4020 | 65311601 | ПРЯМОЙ ШТУЦЕР P-EGES 12L/R 1/4WD SAĞ RAKOR P-EGES 12L/R 1/4WD | CONEXÃO DIREITA P-EGES 12L/R 1/4WD | ZŁĄCZE PRAWO P-EGES 12L/R 1/4WD | 1 |
| 4030 | 65311608 | ШТУЦЕР (ЛОКОТЬ) P-EWV12L-SV RAKOR (DIRSEK) P-EWV12L-SV | UNIÃO (COTOVELO) P-EWV12L-SV | ZŁĄCZE (ŁOKIEC) P-EWV12L-SV | 1 |
| 4040 | 65311605 | ШТУЦЕР P-KV12L RAKOR P-KV12L | CONEXÃO P-KV12L | ZŁĄCZE P-KV12L | 1 |
| 4060 | 65311607 | КРЫШКА VSD 12L/S O.M.MB. TAPA VSD 12L/S O.M.MB. | TAMPA VSD 12L/S O.M.MB. | NAKRĘTKA VSD 12L/S O.M.MB. | 1 |
| 4070 | 65311601 | ПРЯМОЙ ШТУЦЕР P-EGES 12L/R 1/4WD SAĞ RAKOR P-EGES 12L/R 1/4WD | CONEXÃO DIREITA P-EGES 12L/R 1/4WD | ZŁĄCZE PRAWO P-EGES 12L/R 1/4WD | 1 |
| 4080 | 65311453 | ГАЗОВЫЙ КЛАПАН VGD40 125 DN125 GAZ VANASI VGD40 125 DN125 | VALVULA GAS VGD40 125 DN125 | ZAWÓR GAZOWY VGD40 125 DN125 | 1 |
| | 65311583 | ГАЗОВЫЙ КЛАПАН VGD40 080 DN80 GAZ VANASI VGD40 080 DN80 | VALVULA GAS VGD40 080 DN80 | ZAWÓR GAZOWY VGD40 080 DN80 | 1 |
| | 65311590 | ГАЗОВЫЙ КЛАПАН VGD40 100 DN100 GAZ VANASI VGD40 100 DN100 | VALVULA GAS VGD40 100 DN100 | ZAWÓR GAZOWY VGD40 100 DN100 | 1 |
| | 65323661 | ГАЗОВЫЙ КЛАПАН VGD40 065 DN65 GAZ VANASI VGD40 065 DN65 | VÁLVULA GÁS VGD40 065 DN65 | ZAWÓR GAZ. VGD40 065 DN65 | 1 |
| 4090 | 65107100 | СЕРВОДВИГАТЕЛЬ SKP25.003 E2 БЕЗ КОНЦЕВЫ SERVOMOTOR SKP 25.003 E2 LIMIT ANAHTAR | SERVOMOT. GÁS SKP25.003 E2 SEM FIM CURSO | SERWOSILNIK SKP25.003E2 BEZ WYŁĄCZNIKI | 1 |
| 4100 | 65311585 | СОЕДИНИТЕЛЬНЫЙ КАБЕЛЬ AGA62.000A000 BAĞLANTI KABLOSU AGA62.000A000 | CABO DE LIGAÇÃO AGA62.000A000 | PRZEWÓD POŁĄCZENIOWY AGA62.000A000 | 1 |
| 4110 | 1478836180 | СЕРВОДВИГАТЕЛЬ SKP15.000E2 БЕЗ КОНЦЕВЫ SERVOMOTOR SKP15.000E2 LIMIT ANAHTAR | SERVOMOTOR GAS SKP15.000E2 SEM FIM CURSA | SERWOSILNIK SKP15.000E2 BEZ WYŁĄCZNIKI | 1 |
| 4120 | 65311611 | УПЛОТНИТ. ПРОКЛАДКА DIN EN 1514-1 DN65 CONTA DIN EN 1514-1 DN65/PN16 | JUNTA DIN EN 1514-1 DN65/PN16 | USZCZELKA DIN EN 1514-1 DN65/PN16 | 1 |
| | 65311612 | УПЛОТНИТ. ПРОКЛАДКА DIN EN 1514-1 DN80 CONTA DIN EN 1514-1DN 80 PN16 | JUNTA DIN EN 1514-1DN 80 PN16 | USZCZELKA DIN EN 1514-1DN 80 PN16 | 1 |
| | 65311613 | УПЛОТНИТ. ПРОКЛАДКА DIN EN 1514-1 DN100 CONTA DIN EN 1514-1 DN100 PN16 | JUNTA DIN EN 1514-1 DN100 PN16 | USZCZELKA DIN EN 1514-1 DN100 PN16 | 1 |
| | 65311614 | УПЛОТНИТ. ПРОКЛАДКА DIN EN 1514-1 DN125 CONTA DIN EN 1514-1 DN125 PN16 | JUNTA DIN EN 1514-1 DN125 PN16 | USZCZELKA DIN EN 1514-1 DN125 PN16 | 1 |
| 4130 | 65311586 | ГНЕЗДОВОЙ РАЗЪЕМ AGA64 DIŞI PRIZ AGA64 | TOMADA FÉMEA AGA64 | GNIAZDO AGA64 | 1 |
| 4140 | 65311615 | РАЗЪЕМ GDMW 30-11 DF PRIZ GDMW 30-11 DF | TOMADA GDMW 30-11 DF | GNIAZDO GDMW 30-11 DF | 1 |
| 4150 | 65310852 | РЕЛЕ ДАВ. ВОЗДУХА GW 500 A5 30-500MB GAZ BASINÇ ŞALT. GW 500 A5 30-500MB | PRESSOSTATO GÁS GW 500 A5 30-500MB | CZUJNIK CIŚ. GAZU GW 500 A5 30-500MB | 1 |
| | 65323022 | РЕЛЕ ДАВ. ВОЗДУХА GW 150 A6 10-150MB GAZ BASINÇ ŞALT. GW 150 A6 10-150MB | PRESSOSTATO GAS GW 150 A6 10-150MB | CZUJNIK CIŚ. GAZU GW 150 A6 10-150MB | 1 |
| 4300 | 65311460 | ГАЗОВЫЙ ФИЛЬТР GF65MF-2020-A-1 DN65 1BAR GAZ FILTR. GF65MF-2020-A-1 DN65 1BAR | FILTRO GÁS GF65MF-2020-A-1 DN65 1BAR | FILTR GAZU GF65MF-2020-A-1 DN65 1BAR | 1 |
| | 65311461 | ГАЗОВЫЙ ФИЛЬТР GF80MF-2424-A-1 DN80 1BAR GAZ FILTR. GF80MF-2424-A-1 DN80 1BAR | FILTRO GÁS GF80MF-2424-A-1 DN80 1BAR | FILTR GAZU GF80MF-2424-A-1 DN80 1BAR | 1 |
| | 65311462 | ГАЗОВЫЙ ФИЛЬТР GF100MF-3232-A-1 DN100 1B GAZ FILTR. GF100MF-3232-A-1 DN100 1BAR | FILTRO GÁS GF100MF-3232-A-1 DN100 1BAR | FILTR GAZU GF100MF-3232-A-1 DN100 1BAR | 1 |
| | 65311463 | ГАЗОВЫЙ ФИЛЬТР GF125MF-4040-A-1 DN125 1B GAZ FILTR. GF125MF-4040-A-1 DN125 1BAR | FILTRO GÁS GF125MF-4040-A-1 DN125 1BAR | FILTR GAZU GF125MF-4040-A-1 DN125 1BAR | 1 |
| 4301 | 65311723 | ФИЛЬТРУЮЩИЙ ЭЛЕМЕНТ GF65MF FILTRE ELEMANI GF65MF | ELEMENTO FILTRANTE GF65MF | WKŁAD FILTRA GF65MF | 1 |

|  |  | RU TR | PT | PL |  |
|---|---|---|---|---|---|
| | 65311888 | ФИЛЬТРУЮЩИЙ ЭЛЕМЕНТ GF80MF FILTRE ELEMANI GF80MF | ELEMENTO FILTRANTE GF80MF | WKŁAD FILTRA GF80MF | 1 |
| | 65311889 | ФИЛЬТРУЮЩИЙ ЭЛЕМЕНТ GF100MF FILTRE ELEMANI GF100MF | ELEMENTO FILTRANTE GF100MF | WKŁAD FILTRA GF100MF | 1 |
| | 65311890 | ФИЛЬТРУЮЩИЙ ЭЛЕМЕНТ GF125MF FILTRE ELEMANI GF125MF | ELEMENTO FILTRANTE GF125MF | WKŁAD FILTRA GF125MF | 1 |
| 4505 | 65311613 | УПЛОТНИТ. ПРОКЛАДКА DIN EN 1514-1 DN100 CONTA DIN EN 1514-1 DN100 PN16 | JUNTA DIN EN 1514-1 DN100 PN16 | USZCZELKA DIN EN 1514-1 DN100 PN16 | 1 |
| 4510 | 65311674 | КОЛЛЕКТОР DN100/DN65 MANIFOLD DN100/DN65 | COLETOR DN100/DN65 | KOLEKTOR DN100/DN65 | 1 |
| | 65311675 | КОЛЛЕКТОР DN100-DN80 PN16 MANIFOLD DN100-DN80 PN16 | COLETOR DN100-DN80 PN16 | KOLEKTOR DN100-DN80 PN16 | 1 |
| | 65311676 | КОЛЛЕКТОР DN100/DN100 MANIFOLD DN100/DN100 | COLETOR DN100/DN100 | KOLEKTOR DN100/DN100 | 1 |
| 4520 | 65311601 | ПРЯМОЙ ШТУЦЕР P-EGES 12L/R 1/4WD SAĞ RAKOR P-EGES 12L/R 1/4WD | CONEXÃO DIREITA P-EGES 12L/R 1/4WD | ZŁĄCZE PRAWO P-EGES 12L/R 1/4WD | 1 |
| 4530 | 65311344 | Т-ШТУЦЕР P-TV 12 L T-RAKOR P-TV 12 L | CONEXÃO EM T P-TV 12 L | T-ZŁĄCZKA P-TV 12 L | 1 |
| 4560 | 65311607 | КРЫШКА VSD 12L/S O.M.MB. TAPA VSD 12L/S O.M.MB. | TAMPA VSD 12L/S O.M.MB. | NAKRĘTKA VSD 12L/S O.M.MB. | 1 |
| 4580 | 65311844 | ГАЗОВЫЙ КЛАПАН MBC1900SEDN65 40-80MBAR GAZ VANASI MBC1900SE DN65 40-80 MBAR | VÁLVULA GÁS MBC1900SE DN65 40-80MBAR | ZAWÓR GAZ. MBC1900SE DN65 40-80 MBAR | 1 |
| | 65311845 | ГАЗОВЫЙ КЛАПАН MBC3100SE DN80 40-80MBAR GAZ VANASI MBC3100SE DN80 40-80 MBAR | VÁLVULA GÁS MBC3100 SE DN80 40-80 MBAR | ZAWÓR GAZ. MBC3100SE DN80 40-80 MBAR | 1 |
| | 65311846 | ГАЗОВЫЙ КЛАПАН MBC5000SE DN100 40-80MB GAZ VANASI MBC5000 SE DN100 40-80 MB | VÁLVULA GÁS MBC5000 SE DN100 40-80 MBAR | ZAWÓR GAZ. MBC5000SE DN100 40-80MBAR | 1 |
| 4620 | 65311611 | УПЛОТНИТ. ПРОКЛАДКА DIN EN 1514-1 DN65 CONTA DIN EN 1514-1 DN65/PN16 | JUNTA DIN EN 1514-1 DN65/PN16 | USZCZELKA DIN EN 1514-1 DN65/PN16 | 1 |
| | 65311612 | УПЛОТНИТ. ПРОКЛАДКА DIN EN 1514-1 DN80 CONTA DIN EN 1514-1DN 80 PN16 | JUNTA DIN EN 1514-1DN 80 PN16 | USZCZELKA DIN EN 1514-1DN 80 PN16 | 1 |
| | 65311613 | УПЛОТНИТ. ПРОКЛАДКА DIN EN 1514-1 DN100 CONTA DIN EN 1514-1 DN100 PN16 | JUNTA DIN EN 1514-1 DN100 PN16 | USZCZELKA DIN EN 1514-1 DN100 PN16 | 1 |
| 4640 | 65310852 | РЕЛЕ ДАВ. ВОЗДУХА GW 500 A5 30-500MB GAZ BASINÇ ŞALT. GW 500 A5 30-500MB | PRESSOSTATO GÁS GW 500 A5 30-500MB | CZUJNIK CIŚ. GAZU GW 500 A5 30-500MB | 1 |
| | 65323022 | РЕЛЕ ДАВ. ВОЗДУХА GW 150 A6 10-150MB GAZ BASINÇ ŞALT. GW 150 A6 10-150MB | PRESSOSTATO GAS GW 150 A6 10-150MB | CZUJNIK CIŚ. GAZU GW 150 A6 10-150MB | 1 |
| 4650 | 65311615 | РАЗЪЕМ GDMW 30-11 DF PRIZ GDMW 30-11 DF | TOMADA GDMW 30-11 DF | GNIAZDO GDMW 30-11 DF | 1 |
| 4800 | 65311460 | ГАЗОВЫЙ ФИЛЬТР GF65MF-2020-A-1 DN65 1BAR GAZ FILTR. GF65MF-2020-A-1 DN65 1BAR | FILTRO GÁS GF65MF-2020-A-1 DN65 1BAR | FILTR GAZU GF65MF-2020-A-1 DN65 1BAR | 1 |
| | 65311461 | ГАЗОВЫЙ ФИЛЬТР GF80MF-2424-A-1 DN80 1BAR GAZ FILTR. GF80MF-2424-A-1 DN80 1BAR | FILTRO GÁS GF80MF-2424-A-1 DN80 1BAR | FILTR GAZU GF80MF-2424-A-1 DN80 1BAR | 1 |
| | 65311462 | ГАЗОВЫЙ ФИЛЬТР GF100MF-3232-A-1 DN100 1B GAZ FILTR. GF100MF-3232-A-1 DN100 1BAR | FILTRO GÁS GF100MF-3232-A-1 DN100 1BAR | FILTR GAZU GF100MF-3232-A-1 DN100 1BAR | 1 |
| 4801 | 65311723 | ФИЛЬТРУЮЩИЙ ЭЛЕМЕНТ GF65MF FILTRE ELEMANI GF65MF | ELEMENTO FILTRANTE GF65MF | WKŁAD FILTRA GF65MF | 1 |
| | 65311888 | ФИЛЬТРУЮЩИЙ ЭЛЕМЕНТ GF80MF FILTRE ELEMANI GF80MF | ELEMENTO FILTRANTE GF80MF | WKŁAD FILTRA GF80MF | 1 |
| | 65311889 | ФИЛЬТРУЮЩИЙ ЭЛЕМЕНТ GF100MF FILTRE ELEMANI GF100MF | ELEMENTO FILTRANTE GF100MF | WKŁAD FILTRA GF100MF | 1 |
| 5002 | 65312445 | БЛОК УПРА. BT320 ОСНОВНЫЕ НАСТРОЙКИ KUTU BT320 TEMEL AYARI | UNIDADE CONTROLE BT320 CONFIGUR. BÁSICA | MODUŁ BT320 USTAWIENIE PODSTAWOWE | 1 |
| | 65312446 | БЛОК УПРА. BT330 ОСНОВНЫЕ НАСТРОЙКИ KUTU BT330 TEMEL AYARI | UNIDADE CONTROLE BT330 CONFIGUR. BÁSICA | MODUŁ BT330 USTAWIENIE PODSTAWOWE | 1 |
| | 65312448 | БЛОК УПРА. BT320 ОПРЕДЕЛ. ПАРАМ. KUTU BT320 ÖZEL AYAR | UNIDADE CONTROLE BT320 CONF. ESPECÍFICA | MODUŁ BT320 SPECYFICZNE USTAWIENIE | 1 |
| | 65312449 | БЛОК УПРА. BT330 ОПРЕДЕЛ. ПАРАМ. KUTU BT330 ÖZEL AYAR | UNIDADE CONTROLE BT330 CONF. ESPECÍFICA | MODUŁ BT330 SPECYFICZNE USTAWIENIE | 1 |
| | 65312452 | БЛОК УП. BT320 G-E, G-EU3, G-EF3(+BEC.PEG.) KUTU BT320 G-E, G-EU3, G-EF3(+FREK.DÖNÜS.) | UNIDADE CTL. BT320 G-E, G-EU3(+CTL.FR.) | MOD. BT320 G-E, G-EU3, G-EF3(+PRZET.CZEST.) | 1 |
| 5010 | 65311362 | ИСПЫТАТЕЛЬНАЯ ГОРЕЛКА С КНОПКОЙ PB2 BASMA DÜĞMESİ İLE BRÜLÖR TEST PB2 | QUEIMADOR DE ENSAIO COM B. PRESSÃO PB2 | PALNIK TEST Z PRZYCISKIEM PB2 | 1 |
| 5015 | 65311790 | МОДУЛЬ LCM100 (LSB-M 667R0500-1) MODUŁ LCM100 (LSB-M 667R0500-1) | MÓDULO LCM100 (LSB-M 667R0500-1) | MODUL LCM100 (LSB-M 667R0500-1) | 1 |
| 5020 | 65311918 | МОДУЛЬ VSM100 VSM100 MODUŁU | MÓDULO VMS100 | MODUL VSM100 | 1 |
| 5035 | 65312550 | ДАТЧИК NAMUR NI5-G12-Y1 SENSÖR NAMUR NI5-G12-Y1 | SENSOR NAMUR NI5-G12-Y1 | CZUJNIK NAMUR NI5-G12-Y1 | 1 |
| 5300 | 65114033 | РЕГУЛЯТОР RWF 55.50A9 REGÜLATÖR RWF 55.50A9 | REGULADOR RWF 55.50A9 | REGULATOR RWF 55.50A9 | 1 |
| 5500 | 65312274 | ФОТОРЕЗИСТОР FFS08-UV1 659D31 - 5M W/O HÜCRE FFS08-UV1 659D31 - 5M W/O | FOTOCÉLULA FFS08-UV1 659D31 - 5M W/O | FOTOKOMÓRKA FFS08-UV1 659D31 - 5M W/O | 1 |

К О Н Т А К Т Ы

Distributor in Russia "Teplopartner" LTD
Russia, Krasnodar city, Stasova street,184, office 4
Tel./fax.: 8 (861) 234 23 83, +7 (961) 854 41 24
www.gorelka-kotel.ru info@gorelka-kotel.ru