

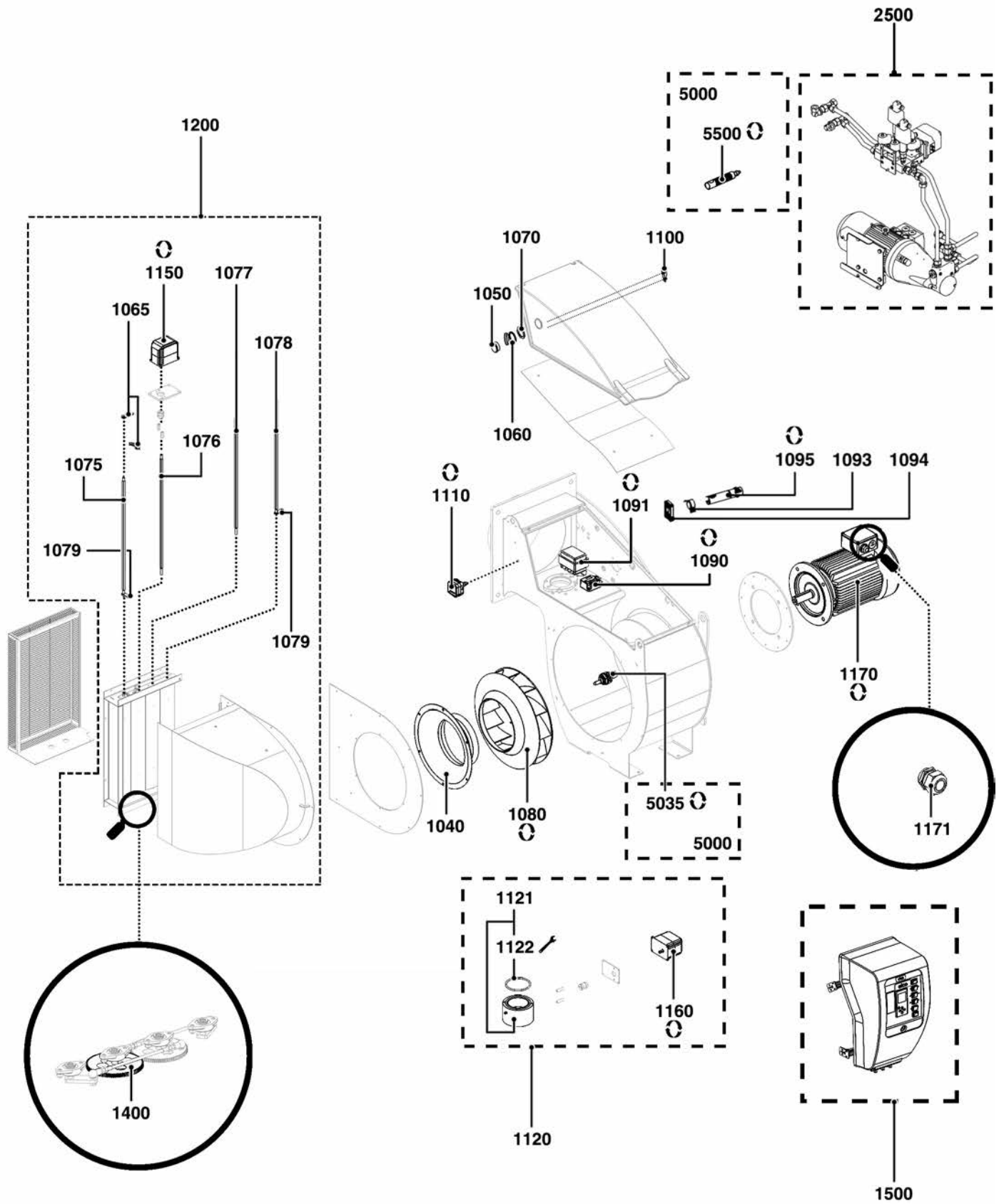
SPARE PARTS EXPLODED VIEW DUAL-FUEL BURNERS

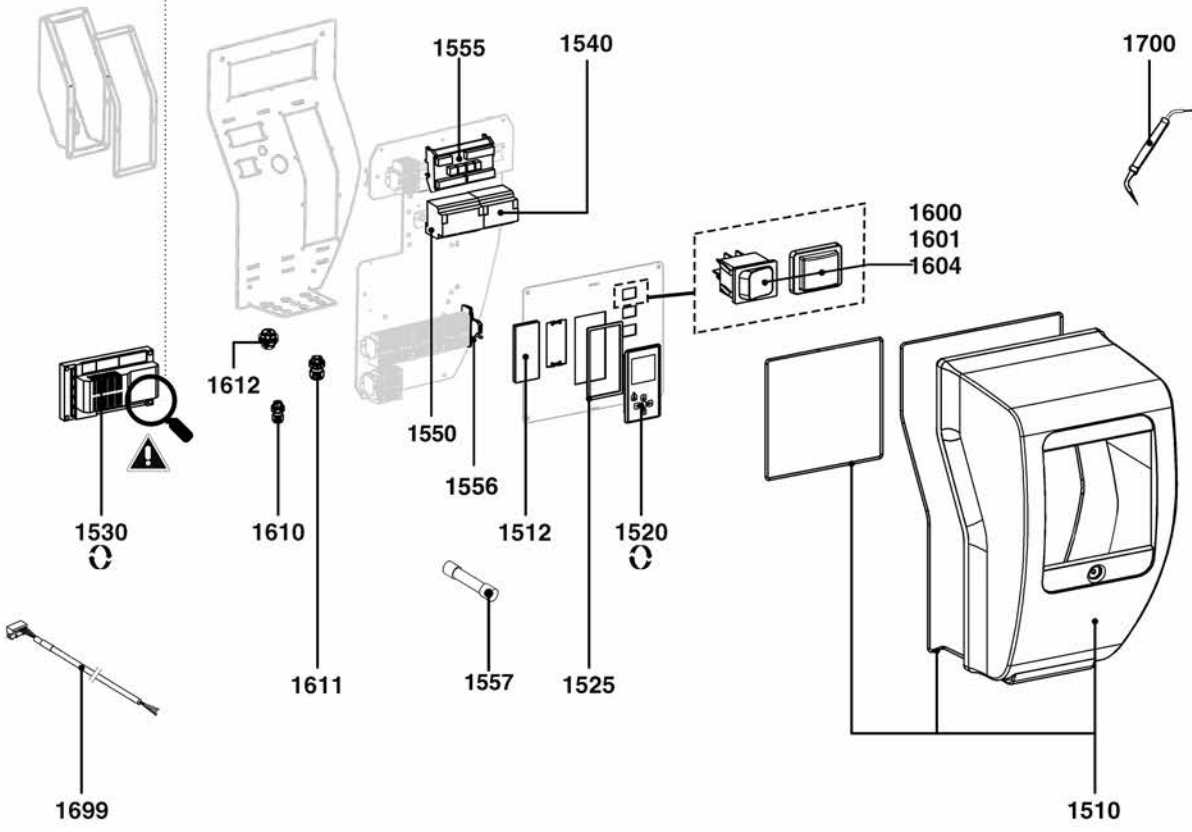
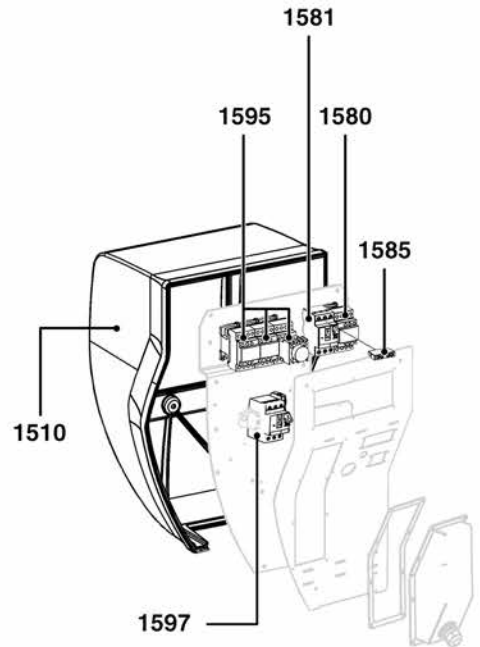
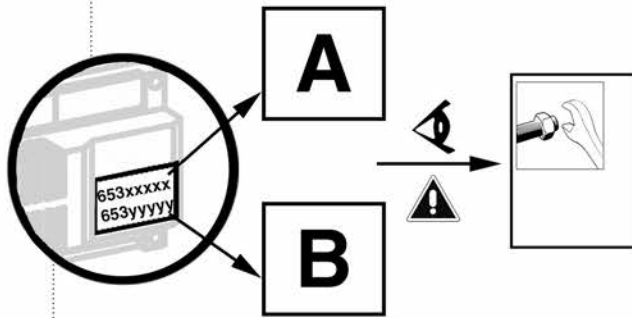
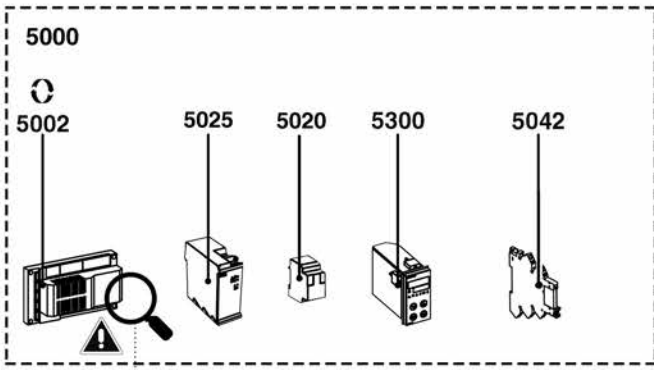
Model

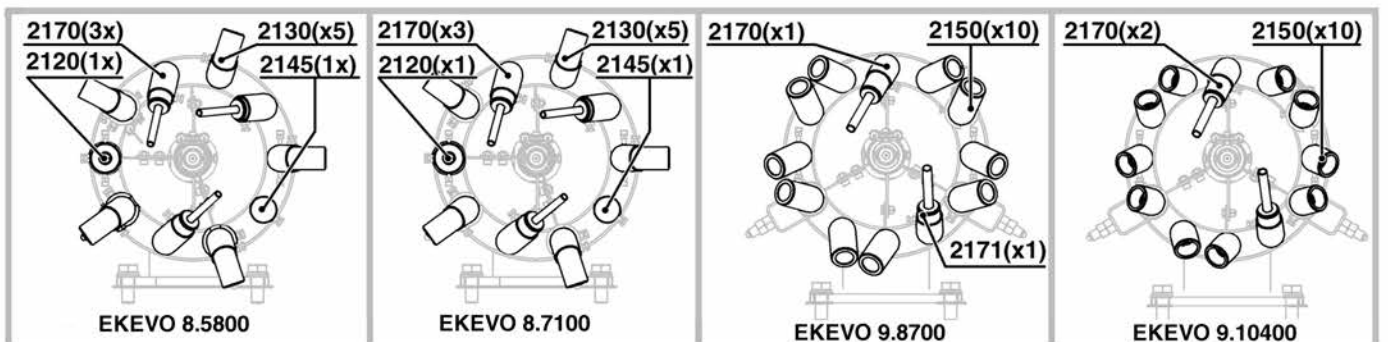
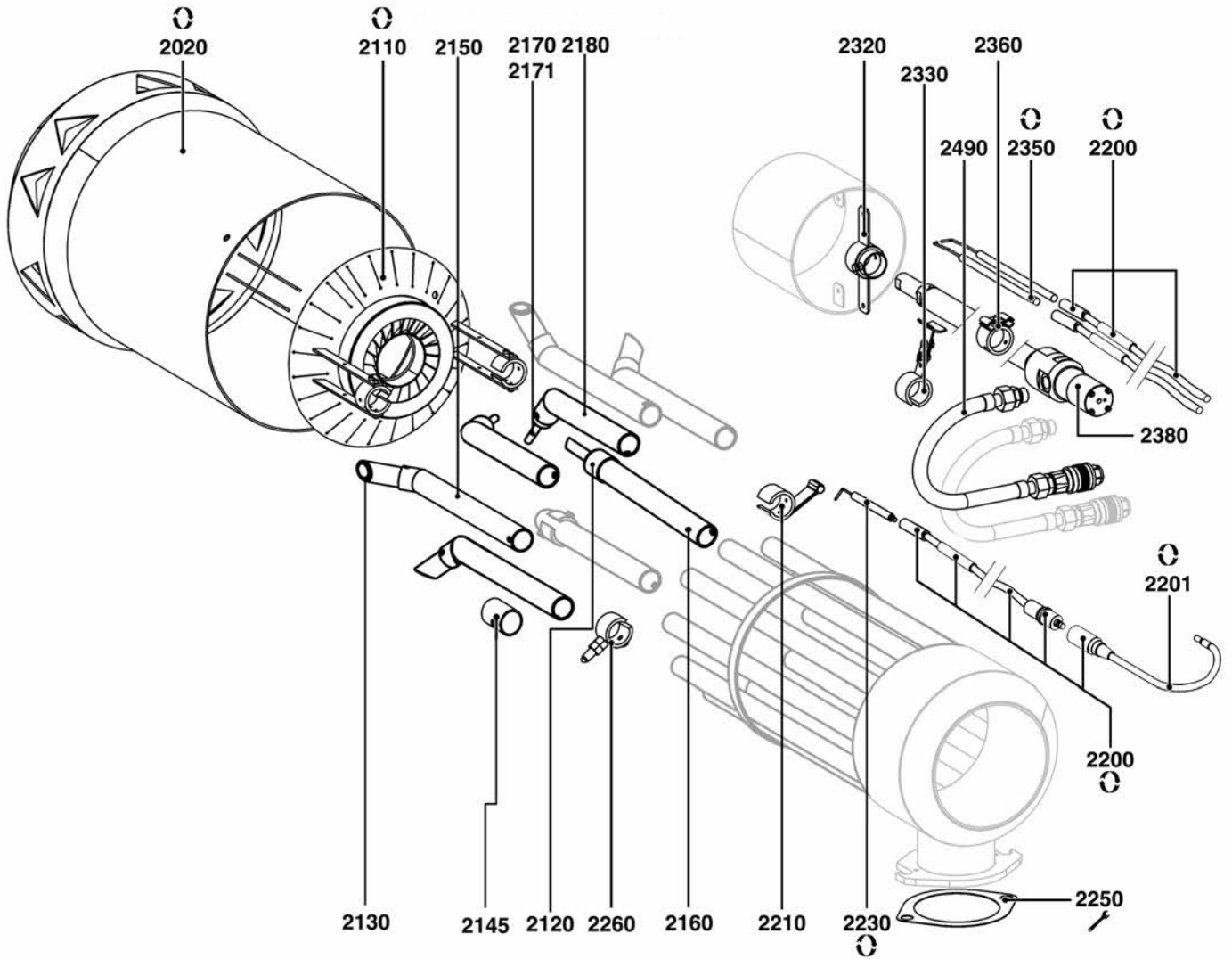
CB-EKEVO8/9 GL-E

R8220174-01 - 30/06/2016

1	3754601	EKEVO 8.5800 GL-E/BT3/KN	01-2016	-
1	3754605	EKEVO 8.5800 GL-E/BT3/KM	01-2016	-
1	3754609	EKEVO 8.5800 GL-E/BT3/KL	01-2016	-
2	3754602	EKEVO 8.7100 GL-E/BT3/KN	01-2016	-
2	3754606	EKEVO 8.7100 GL-E/BT3/KM	01-2016	-
2	3754610	EKEVO 8.7100 GL-E/BT3/KL	01-2016	-
3	3754603	EKEVO 9.8700 GL-E/BT3/KN	01-2016	-
3	3754607	EKEVO 9.8700 GL-E/BT3/KM	01-2016	-
3	3754611	EKEVO 9.8700 GL-E/BT3/KL	01-2016	-
4	3754604	EKEVO 9.10400 GL-E/BT3/KN	01-2016	-
4	3754608	EKEVO 9.10400 GL-E/BT3/KM	01-2016	-
4	3754612	EKEVO 9.10400 GL-E/BT3/KL	01-2016	-
5	3750537	GT-s457-2	08-2012	-
6	3750515	GT-d457-2	11-2013	-
7	3750538	GT-s458-65	07-2012	-
8	3750539	GT-s459-80	08-2013	-
9	3750540	GT-s460-100	03-2014	-
10	3750541	GT-s461-125	06-2014	-
11	3750516	GT-d458-65	06-2012	-
12	3750517	GT-d459-80	03-2013	-
13	3750518	GT-d460-100	10-2012	-
Col	Reference	Model type	Begin	End





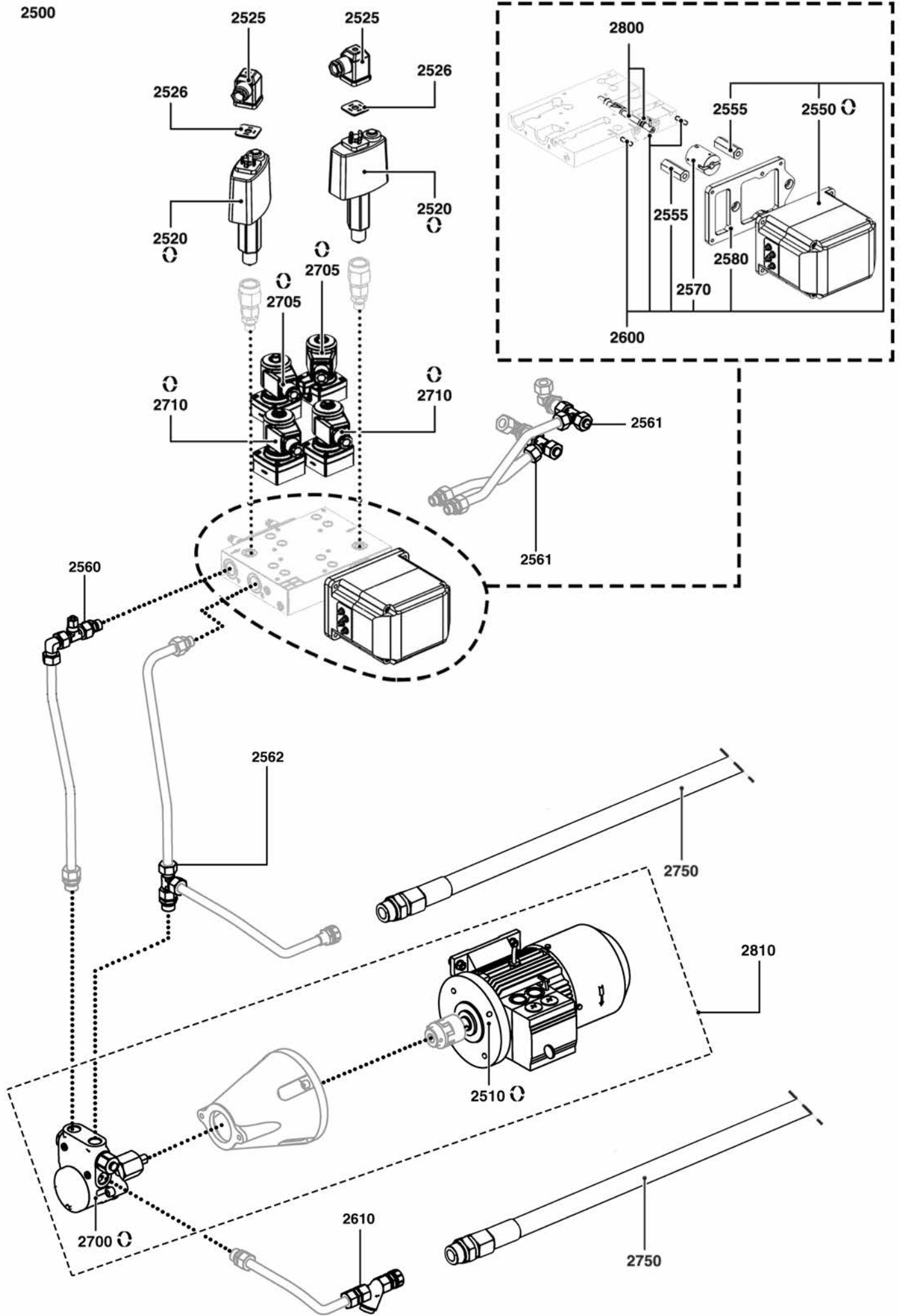


Description	Manf. Pt. N	Type	<div style="display: flex; justify-content: space-between; font-size: 8px;"> EKEVO 8-5800 GL-EB13 EKEVO 8-1100 GL-EB13 EKEVO 9-8700 GL-EB13 EKEVO 9-10400 GL-EB13 GT-0457-2 GT-0457-2 GT-0459-85 GT-0459-80 GT-0460-100 GT-0461-125 GT-0462-65 GT-0463-80 GT-0463-100 </div>																		<div style="border: 1px solid black; padding: 2px; font-size: 10px; text-align: center;">31</div>	
			1	2	3	4	5	6	7	8	9	10	11	12	13	14	15	16	17	18	From	to
2000 COMBUSTION HEAD																						
2020 FLAME TUBE D369/400/320 L617	65312078		•																			
FLAME TUBE D369/400/320 L757	65312079		•																			
FLAME TUBE D369/400/320 L897	65312080		•																			
FLAME TUBE D369/415/351 L638	65312081			•																		
FLAME TUBE D369/415/351 L778	65312082			•																		
FLAME TUBE D369/415/351 L918	65312083			•																		
FLAME TUBE D431,5/373 L408	65312084				•	•																
FLAME TUBE D431,5/373 L558	65312085				•	•																
FLAME TUBE D431,5/373 L708	65312086				•	•																
2110 BAFFLE PLATE D300/74X67 20SL	65312088					•																
BAFFLE PLATE D320/74X67 20SL	65312087		•	•																		
BAFFLE PLATE D330/74 BEF.230MM	65311881					•																
2120 STABILIZATION GAS NOZZLE D 13	65312089		•	•																		
2130 ANGULAR GAS NOZZLE D=20	65312090		•																			
ANGULAR GAS NOZZLE D=22	65312091			•																		
2145 GASTUBE SHUTTER D30	65312094		•	•																		
2150 ANGULAR GAS NOZZLE D35/24X56/245	65312092					•																
ANGULAR GAS NOZZLE D35/27X35/245	65312093						•															
GASTUBE D35X2,2X300	65312095		•																			
GASTUBE D35X2,2X360 GRL.	65311710			•																		
2160 GASTUBE D35X2,2X257 ADJUSTABLE	65311882		•																			
GASTUBE D35X2,2X360	65311702			•																		
2170 GAS NOZZLE D30X2/10X1,5X103	65312096		•	•																		
GAS NOZZLE D30X2/D12X1,5	65311683					•	•															
2171 GAS NOZZLE D30X2/D12X1 L73	65312013					•																
2180 GAS TUBE D35X2,2X45GR.	65311712			•																		
GASTUBE D35X2,2X100/35	65312098					•	•															
GASTUBE D35X2,2X220/50	65312097		•																			
2200 IGNITION CABLE D6,4/D6,4 L1500 AP	1728777751		•	•	•	•																
2201 IGNITION CABLE D4/SAT 72750	65310724		•	•	•	•																
2210 IGNITION ELECTRODE HOLDER	65311662		•	•	•	•																
2230 IGNITION ELEC.D11X100D6,4D2,5X150 27/90°	65313846					•																
IGNITION ELECT. D11X100 D6,4D2,5X150 45°	65311690		•	•		•																
2250 GASKET/OVAL FLANGE 210X160X2 D116	65311713		•	•	•	•																
2260 CENTERING PILLAR N8/EKEVO8	65312022		•	•																		
CENTERING PILLAR N9/EKEVO9	65312023					•	•															
2320 CENTRING NOZZLE ROD DM35	65312099		•	•	•	•																
2330 SUPPORT FOR CENTERING PILLAR	65312100		•	•	•	•																
2350 IGNITION ELEC.D11X220 D3X150 20° L150 D4	1728703262		•	•	•	•																
2360 CENTERING RING	65312141		•	•	•	•																
2380 NOZZLE ROD RDG1250 L560	65312102					•																
NOZZLE ROD RDG1250 L660	65311884						•															
NOZZLE ROD RDG1250 L760	65311817		•	•	•																	
NOZZLE ROD RDG1250 L860	65310280		•	•	•	•																
NOZZLE ROD RDG1250 L960	65311818		•	•																		
2490 OIL HOSE DN16 L500	65311435		•	•	•	•																

CB-EKEVO8/9 GL-E

Dual-Fuel burner

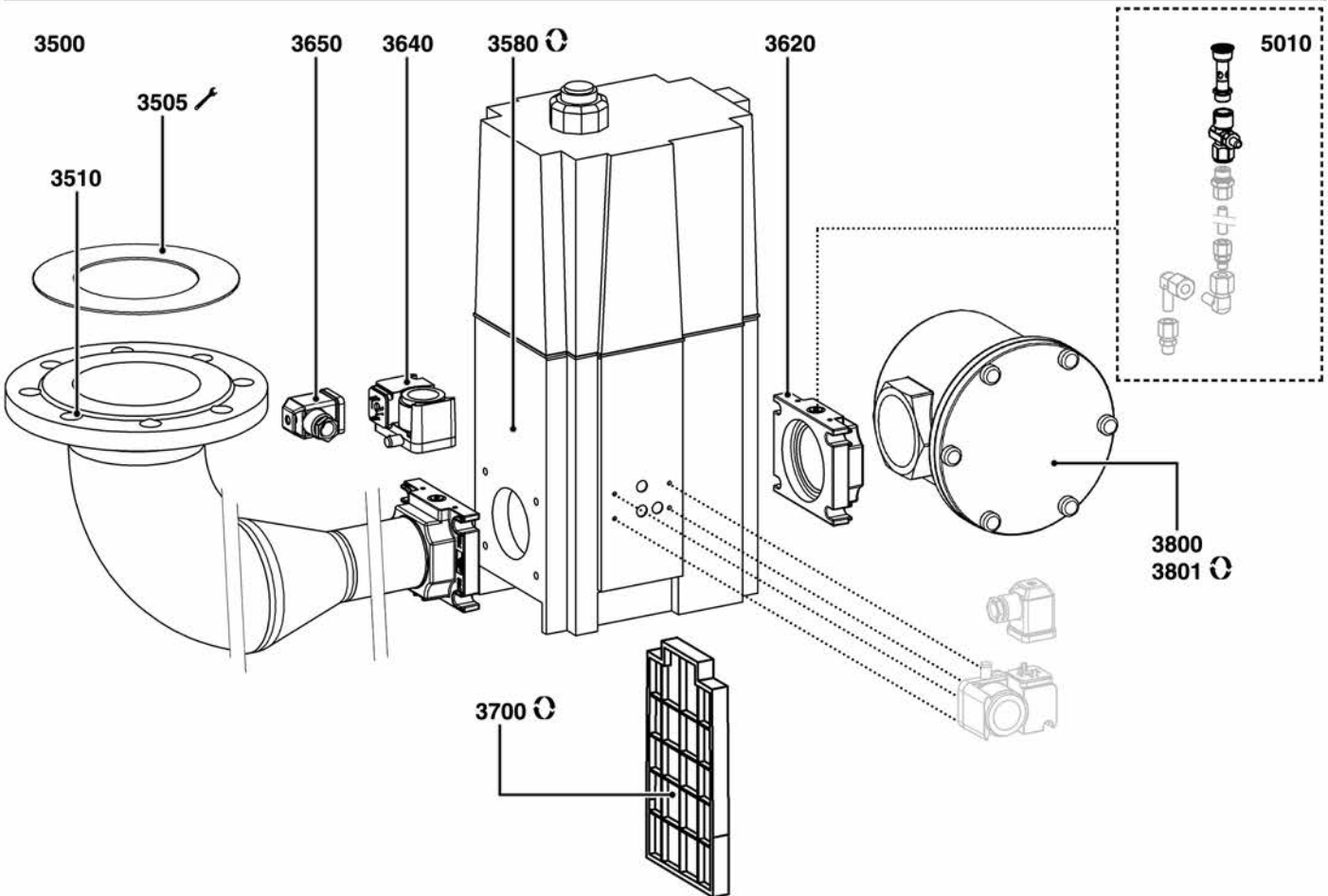
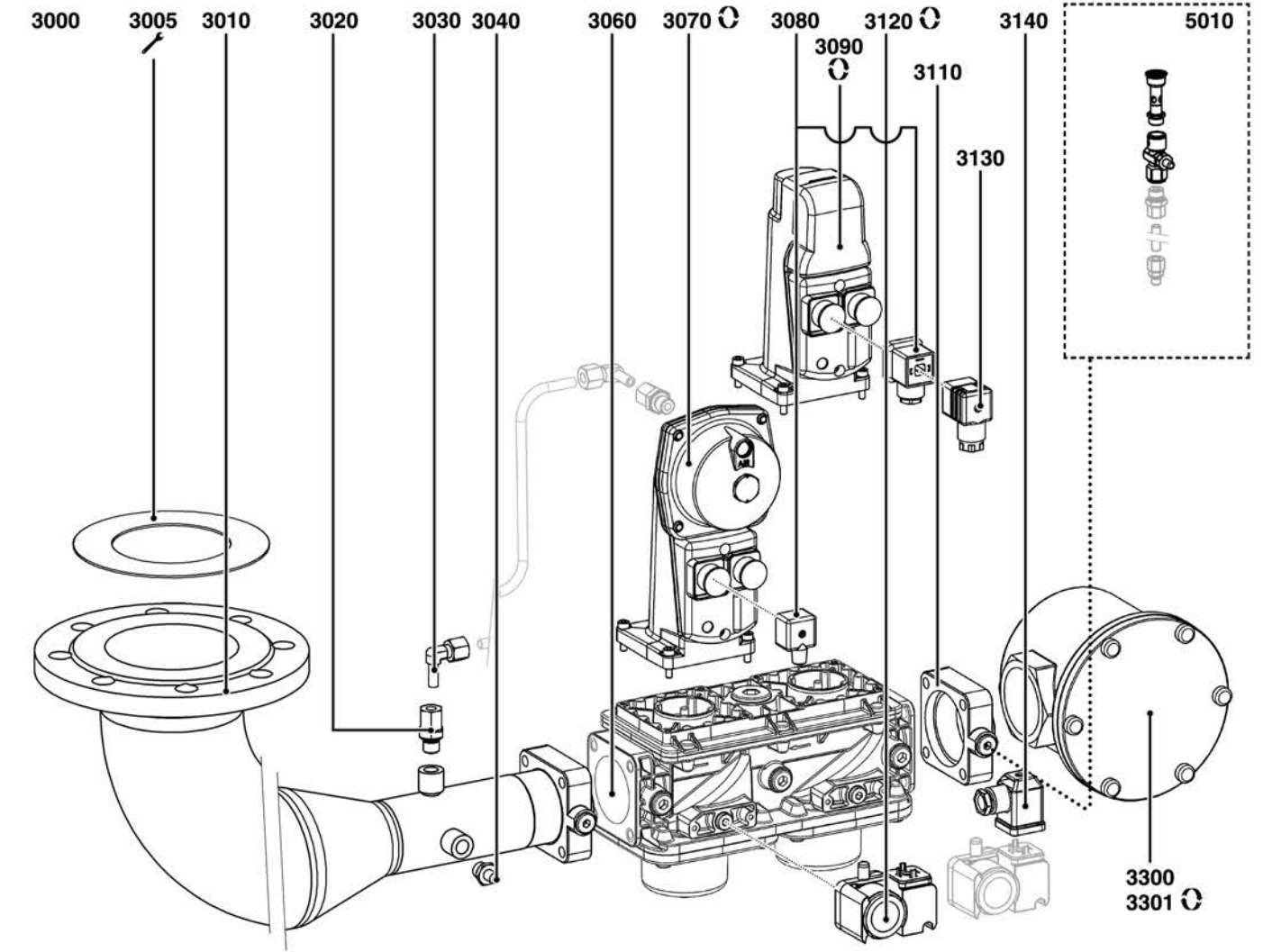
2500

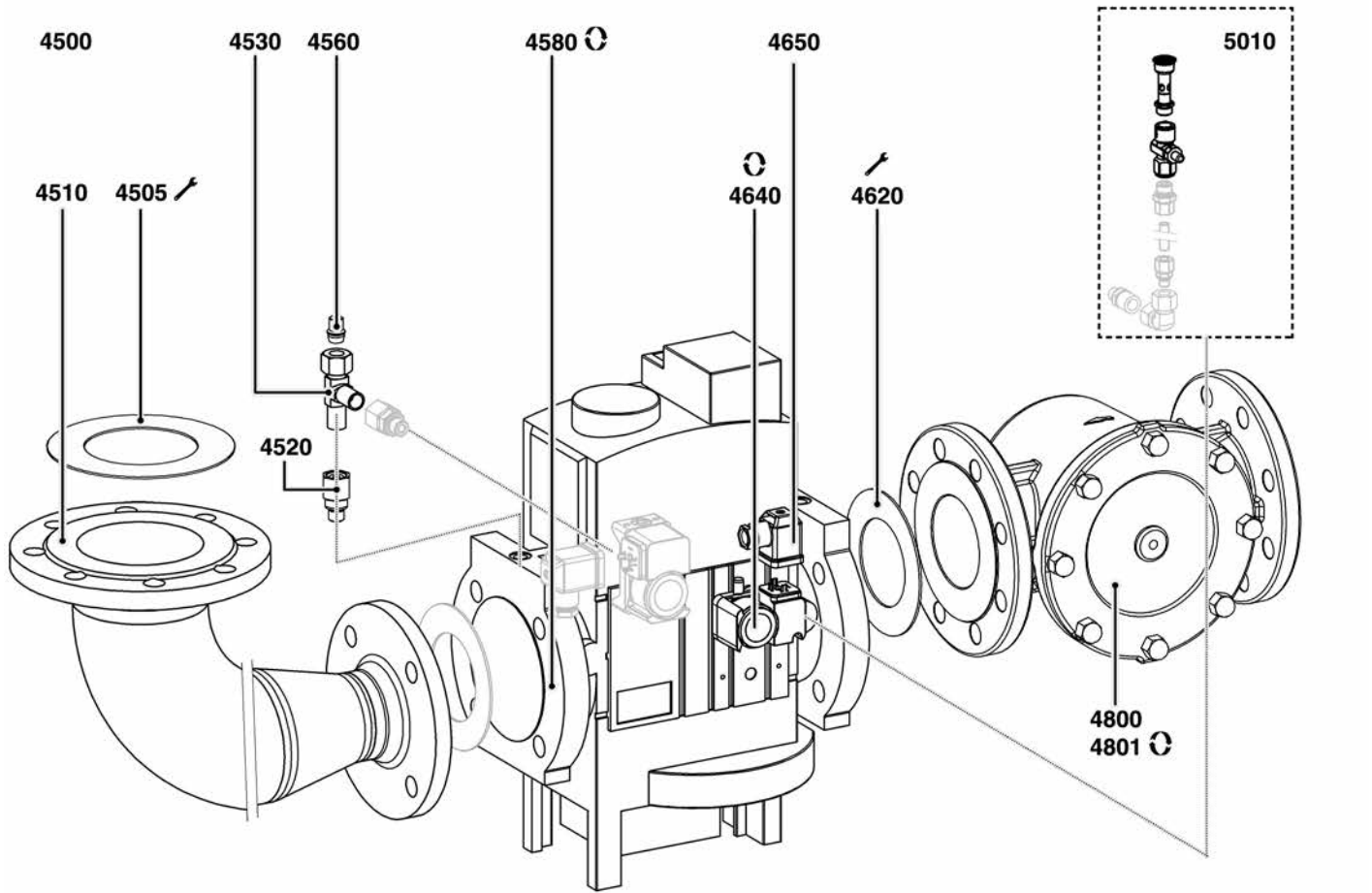
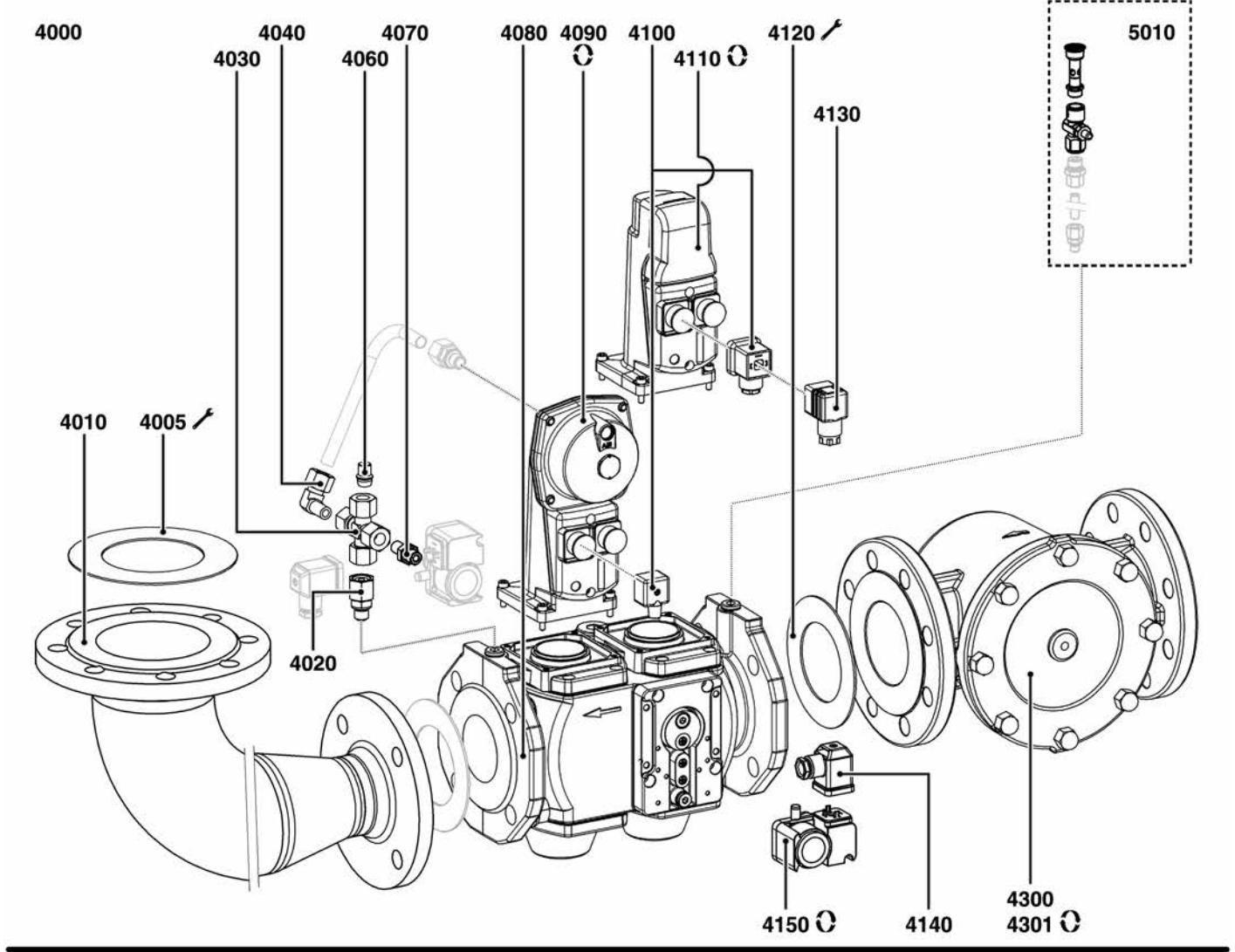


☉⇒	Description	Manf. Pt. N	Type	<div style="display: flex; justify-content: space-between; font-size: small;"> EKEVO 8-5800 GL-EB73 EKEVO 8-100 GL-EB73 EKEVO 9-8700 GL-EB73 EKEVO 9-10400 GL-EB73 GT-8457-2 GT-8457-2 GT-8459-85 GT-8459-80 GT-8460-100 GT-8461-125 GT-8458-65 GT-8459-80 GT-8460-100 </div>																		From	to
				1	2	3	4	5	6	7	8	9	10	11	12	13	14	15	16	17	18		
2500	HYDRAULICS																						
2510	MOTOR 3KW 230/400V D28 1400 TR/MN GMP	1218795344		•	•	•																	
	MOTOR 4KW 400/690V D28 1400 TR/MN GMP	65312104					•																
2520	OIL PRESS.SWITCH DSB 158 F931 3-25BAR	65312206		•	•	•	•																
2525	CONNECTOR GDMW 30-11 DF	65311615		•	•	•	•																
2526	GASKET GDM 3-21	65311616		•	•	•	•																
2550	ACTUATOR STE4,5 Q3.51/6 3NM R (BT3XX)	65311650		•	•	•	•																
2555	SPACER M6/M8X42 SW15	65311831		•	•	•	•																
2560	T-UNION P-TV18/18/10L	65312938		•	•	•	•																
2561	ADJUSTABLE MALE T-CONNECTOR P-ELV18L-SV	65313847		•	•	•	•																
2562	ADJUSTABLE MALE T-CONNECTOR P-ELV18L-SV	65313847		•	•	•	•																
2570	COUPLING D10/D8X38-90	65312935		•	•	•	•																
2580	PLATE ACTUATOR STE	65311412		•	•	•	•																
2600	ACTUATOR GR.HYD-BLOCK N8/9&EKEVO8/9E BT	65312284		•	•	•	•																
2610	T-UNION R1Z (STRAINER) OVE	65311414					•																
	T-UNION R3/4Z (STRAINER) OVE	65311578		•	•	•																	
2700	OIL PUMP VBHRG 2200L/H	65312105					•																
	OIL PUMP VBHRG I 410 SO 1700L/H	65311410		•	•	•																	
2705	SOLEN. VALVE LUC 321F2523 P8 PG11 19W	13022666		•	•	•	•																
2710	SOLEN. VALVE LUC 121F2523 P8 PG11 19W	13022667		•	•	•	•																
2750	OIL HOSE M30X1,5 DN20 L=1500	13019342		•	•	•																	
	OIL HOSE M38X1,5 DN25 L=1500	1488436955					•																
2800	CONTROL SHAFT 7.0 LEFT HAND.	65312304		•																			
	CONTROL SHAFT 7.0 LEFT HAND. GR.2	65312292					•																
	CONTROL SHAFT 8.0 LEFT HAND.	65312305				•																	
	CONTROL SHAFT 8.0 LEFT HAND. GR.2	65312285					•																
2810	PUMP INSTALL. SMG1630-I-4-SO-IE2 30BAR	65311406		•	•	•																	
	PUMP INSTALL. SMG1631-I-4-SO-IE2 30BAR	65312103					•																

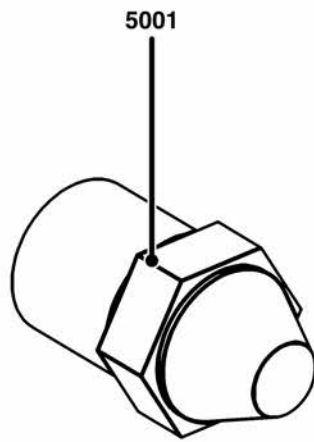
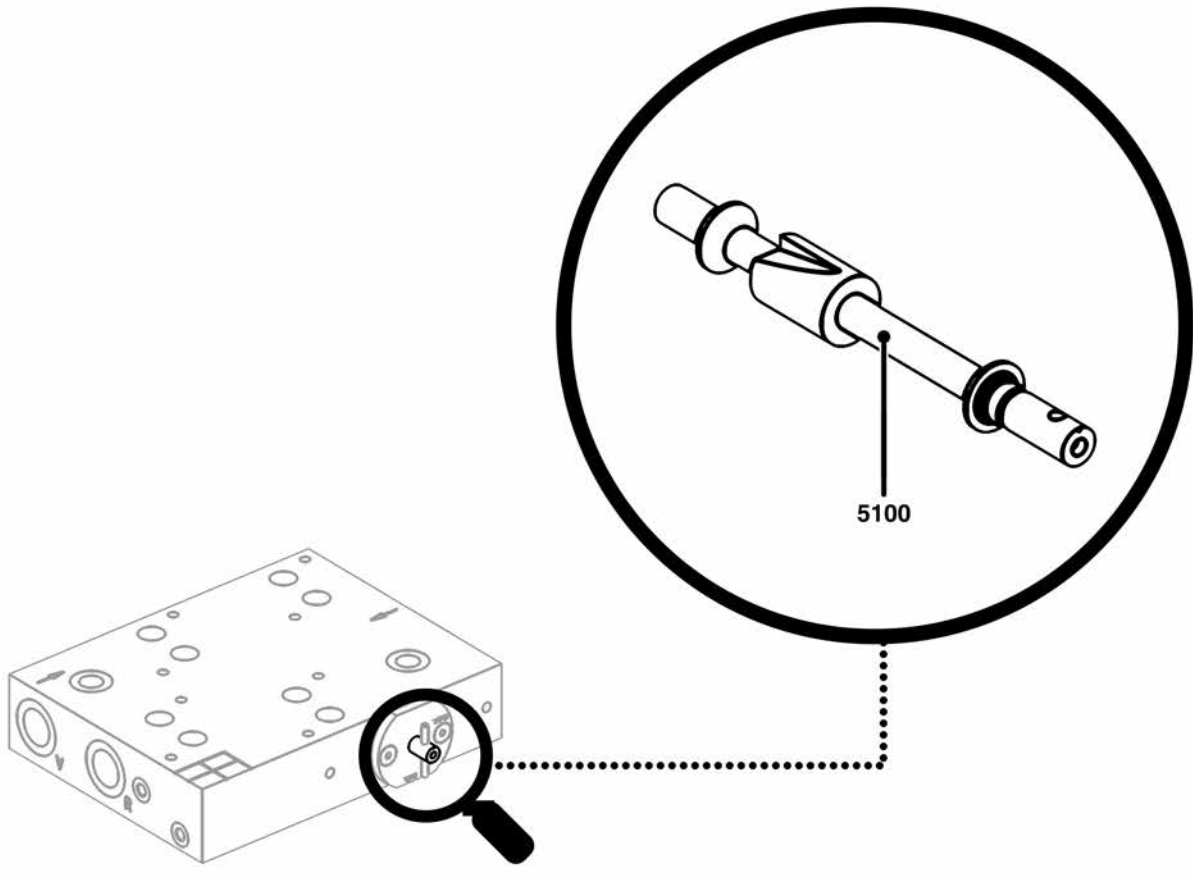
CB-EKEVO8/9 GL-E

Dual-Fuel burner





☉⇒	Description	Manf. Pt N	Type	<div style="display: flex; justify-content: space-between; align-items: center;"> <div style="writing-mode: vertical-rl; transform: rotate(180deg); font-size: 8px;"> EKEVO 8-5800 GL-EB73 EKEVO 8-1100 GL-EB73 EKEVO 9-8700 GL-EB73 EKEVO 9-10400 GL-EB73 GT-0457-2 GT-0457-2 GT-0459-85 GT-0459-80 GT-0460-100 GT-0461-125 GT-0462-65 GT-0463-80 GT-0463-100 </div> <div style="border: 1px solid black; padding: 2px;">31</div> </div>																		From	to
				1	2	3	4	5	6	7	8	9	10	11	12	13	14	15	16	17	18		
4000	GAS TRAIN																						
4005	GASKET/GASTRAIN D162/115X2 DN100	65311613								●	●	●	●										
4010	GAS CONNECTION TUBE DN100/DN100	65311676									●												
	GAS CONNECTION TUBE DN100/DN125	65311677										●											
	GAS CONNECTION TUBE DN100/DN65	65311674								●													
	GAS CONNECTION TUBE DN100/DN80	65311675									●												
4020	STRAIGHT UNION P-EGES 12L/R 1/4WD	65311601								●	●	●	●										
4030	UNION ELBOW P-EWV12L-SV	65311608								●	●	●	●										
4040	UNION P-KV12L	65311605								●	●	●	●										
4060	ENDPLUG VSD 12L/S O.M.MB.	65311607								●	●	●	●										
4070	STRAIGHT UNION P-EGES 12L/R 1/4WD	65311601								●	●	●	●										
4080	GAS VALVE VGD40 065 DN65	65323661								●													
	GAS VALVE VGD40 080 DN80	65311583									●												
	GAS VALVE VGD40 100 DN100	65311590										●											
	GAS VALVE VGD40 125 DN125	65311453											●										
4090	GAS ACTUATOR SKP25.003E2 W.O.END SWITCH	65107100								●	●	●	●										
4100	CABLE CONNECT AGA 62 PLUG DIN L270	65311585								●	●	●	●										
4110	GAS ACTUATOR SKP15.000E2 W/O END SWITCH	1478836180								●	●	●	●										
4120	GASKET/GASTRAIN D127/77X2 DN65	65311611								●													
	GASKET/GASTRAIN D142/90X2 DN80	65311612									●												
	GASKET/GASTRAIN D162/115X2 DN100	65311613										●											
	GASKET/GASTRAIN D192/141X2 DN125	65311614											●										
4130	FEMALE CONNECTOR AGA64	65311586								●	●	●	●										
4140	CONNECTOR GDMW 30-11 DF	65311615								●	●	●	●										
4150	GAS PRESS.SWITCH GW 150 A6 10-150MB	65323022	OPTION							●	●	●	●										
	GAS PRESS.SWITCH GW 500 A5 30-500MB	65310852	30-500mb							●	●	●	●										
4300	GAS FILTER GF100MF-3232-A-1 DN100 1BAR	65311462										●											
	GAS FILTER GF125MF-4040-A-1 DN125 1BAR	65311463											●										
	GAS FILTER GF65MF-2020-A-1 DN65 1BAR	65311460								●													
	GAS FILTER GF80MF-2424-A-1 DN80 1BAR	65311461									●												
4301	STRAINER ELEMENT GF100MF	65311889										●											
	STRAINER ELEMENT GF125MF	65311890											●										
	STRAINER ELEMENT GF65MF	65311723								●													
	STRAINER ELEMENT GF80MF	65311888									●												
4500	GAS TRAIN																						
4505	GASKET/GASTRAIN D162/115X2 DN100	65311613											●	●	●								
4510	GAS CONNECTION TUBE DN100/DN100	65311676												●									
	GAS CONNECTION TUBE DN100/DN65	65311674											●										
	GAS CONNECTION TUBE DN100/DN80	65311675												●									
4520	STRAIGHT UNION P-EGES 12L/R 1/4WD	65311601											●	●	●								
4530	T-UNION P-TV 12 L	65311344											●	●	●								
4560	ENDPLUG VSD 12L/S O.M.MB.	65311607											●	●	●								
4580	GAS VALVE MBC1900 SE DN65 40-80MBAR	65311844											●										
	GAS VALVE MBC3100 SE DN80 40-80 MBAR	65311845												●									
	GAS VALVE MBC5000 SE DN100 40-80 MBAR	65311846													●								
4620	GASKET/GASTRAIN D127/77X2 DN65	65311611											●										
	GASKET/GASTRAIN D142/90X2 DN80	65311612												●									
	GASKET/GASTRAIN D162/115X2 DN100	65311613													●								
4640	GAS PRESS.SWITCH GW 150 A6 10-150MB	65323022	OPTION										●	●	●								
	GAS PRESS.SWITCH GW 500 A5 30-500MB	65310852	30-500mb										●	●	●								
4650	CONNECTOR GDMW 30-11 DF	65311615											●	●	●								
4800	GAS FILTER GF100MF-3232-A-1 DN100 1BAR	65311462												●									
	GAS FILTER GF65MF-2020-A-1 DN65 1BAR	65311460												●									
	GAS FILTER GF80MF-2424-A-1 DN80 1BAR	65311461													●								
4801	STRAINER ELEMENT GF100MF	65311889													●								
	STRAINER ELEMENT GF65MF	65311723													●								
	STRAINER ELEMENT GF80MF	65311888														●							
5000	ACCESSORY																						
5010	TRIAL BURNER WITH PUSH-BUTTON PB2	65311362								●	●	●	●	●	●	●							





☉⇒	Description	Manf. Pt. N	Type	<div style="display: flex; justify-content: space-between; font-size: small;"> EKEVO 8-5800 GL-EB73 EKEVO 8-1100 GL-EB73 EKEVO 9-8700 GL-EB73 EKEVO 9-10400 GL-EB73 GT-9457-2 GT-9457-2 GT-9459-85 GT-9459-80 GT-9480-100 GT-9481-125 GT-9459-85 GT-9459-80 GT-9460-100 </div>																		From	to
				1	2	3	4	5	6	7	8	9	10	11	12	13	14	15	16	17	18		
5000	ACCESSORY																						
5001	NOZZLE BER 275KG 55° CBM	65313182		•	•																		
	NOZZLE BER 300KG 55° CBM	65313183		•	•																		
	NOZZLE BER 350KG 55° CBM	1458645325		•	•																		
	NOZZLE BER 400KG 55° CBM	1458645347		•	•																		
	NOZZLE BER 450KG 55° CBM	65313184		•	•																		
	NOZZLE BER 500KG 55° CBM	65313185		•	•																		
	NOZZLE BER 550KG 55° CBM	65313851		•																			
	NOZZLE BER 600KG 55° CBM	65313186			•																		
	NOZZLE BER 650KG 55° CBM	1458645392			•																		
	NOZZLE DZ1000 1000KG 80° M14 1-5	1458698891						•															
	NOZZLE DZ1000 550KG 80° M14 1-5	65313852						•															
	NOZZLE DZ1000 650KG 80° M14 1-5	65313854						•															
	NOZZLE DZ1000 700KG 80° M14 1-5	65313853						•	•														
	NOZZLE DZ1000 750KG 80° M14 1-5	1458698846						•	•														
	NOZZLE DZ1000 800KG 80° M14 1-5	65312421						•	•														
	NOZZLE DZ1000 850KG 80° M14 1-5	65313855							•														
	NOZZLE DZ1000 900KG 80° M14 1-5	65313190							•														
	NOZZLE DZ1000 950KG 80° M14 1-5	65311201							•														
5100	CONTROL SHAFT 5.0 LEFT HAND.	65312302		•	•																		
	CONTROL SHAFT 6.0 LEFT HAND.	65312303		•	•																		
	CONTROL SHAFT 7.0 LEFT HAND.	65312304			•																		
	CONTROL SHAFT 7.0 LEFT HAND. GR.2	65312292											•										
	CONTROL SHAFT 8.0 LEFT HAND.	65312305		•																			
	CONTROL SHAFT 9.0 LEFT HAND. GR.2	65312293											•										

		DE	FR	IT	X
		NL	ES		
1040	65311665	ANSAUGTRICHTER D332 X 127,5 LUCHTINLAAT D332x127,5	RECYCLAGE AIR D332X127,5 ENTRADA DE AIRE D332x127,5	CONVOGLIATORE D332x127,5	1
	65311672	ANSAUGTRICHTER D318 X 134 LUCHTINLAAT D318x134	RECYCLAGE AIR D318X134 ENTRADA DE AIRE D318x134	CONVOGLIATORE D318x134	1
	65311673	ANSAUGTRICHTER D288 X 127 LUCHTINLAAT D288x127	RECYCLAGE AIR D288X127 ENTRADA DE AIRE D288x127	CONVOGLIATORE D288x127	1
	65311715	ANSAUGTRICHTER D344X126 LUCHTINLAAT D344x126	RECYCLAGE AIR D344X126 ENTRADA DE AIRE D344x126	CONVOGLIATORE D344x126	1
1050	1180603227	SCHAUGLAS F.MONOBL.KLAR D55X21 KLEURLOOS KIJKGLAS D55X21	VERRE DE REGARD D55x21 CLAIR MIRILLA INCOLORA D55X21	SPIONCINO INCOLORE D55X21	1
1060	1188052260	SCHAUGLASDECKEL Z.MONOBL.55X61 DEKSEL/KIJKGLAS D55X61	CACHE REGARD D55X61 TAPA/MIRILLA D55X61	COPERCHIO/SPIONCINO D55X61	1
1065	65312849	VERSTELLANZEIGE MIT SKALA EKEVO 8/9 AFSTEL-INDICATOR MET SCHAAL EKEVO 8/9	INDICATEUR DE POSITION GRADUE EKEVO 8/9 INDICADOR AJUST. CON ESCALA EKEVO 8/9	INDICATORE REGOLAZ. CON SCALA EKEVO 8/9	1
1070	1180559591	MUTTER SCHAUGLAS M48X1,5 SW60 MOER/KIJKGLAS M48X1,5 SW60	ECROU REGARD M48X1,5 SW60 TUERCA/MIRILLA M48X1,5 SW60	DADO/SPIONCINO M48X1,5 SW60	1
1075	65313875	WELLE / LUFTKLAPPE/ZEIGER D12X680 M8-M6 AS / LUCHTKLEP/WIJZER D12X680 M8-M6	AXE / VOLET AIR/INDEX D12X680 M8-M6 EJE / VALV.AIRE/PUNZON D12X680 M8-M6	PERNO / SERR.ARIA/INDICE D12X680 M8-M6	1
1076	65313877	WELLE / STELLANTRIEB/ZAHNRAD D12X679 AS / REGELMOTOR/TANDWIEL D12X679	AXE / SERVOMOTEUR/ENGRENAGE D12X679 EJE / SERVOMOTOR/ENGRANAJE D12X679	PERNO / SERVOMOTORE/INGRANAGGIO D12X679	1
1077	65313876	WELLE / LUFTKLAPPE/ZAHNRAD D12X671 AS / LUCHTKLEP/TANDWIEL D12X671	AXE / VOLET AIR/ENGRENAGE D12X671 EJE / VALV.AIRE/ENGRANAJE D12X671	PERNO / SERR.ARIA/INGRANAGGIO D12X671	1
1078	65313874	WELLE / LUFTKLAPPE/HEBEL D12X669 M8 AS / LUCHTKLEP/HEFBOOM D12X669 M8	AXE / VOLET AIR/LEVIER D12X669 M8 EJE / VALV.AIRE/PALANCA D12X669 M8	PERNO / SERR.ARIA/LEVA D12X669 M8	1
1079	65313873	HEBEL / LUFTKLAPPEWELLE 54X20 D10-D6 HEFBOOM / LUCHTKLEP AS 54X20 D10-D6	LEVIER / AXE VOLET 54X20 D10-D6 PALANCA / EJE VALV.AIRE 54X20 D10-D6	LEVA / PERNO SERRANDA 54X20 D10-D6	1
1080	65311670	VENTILATORRAD D556/320X86 D42 VENTILATORRAD D556/320X86 D42	TURBINE D556/320X86 D42 TURBINA D556/320X86 D42	VENTOLA D556/320X86 D42	1
	65311716	VENTILATORRAD D533/290X83 D42 VENTILATORRAD D533/290X83 D42	TURBINE D533/290X83 D42 TURBINA D533/290X83 D42	VENTOLA D533/290X83 D42	1
	65311717	VENTILATORRAD D590/334X92 D42 VENTILATORRAD D590/334X92 D42	TURBINE D590/334X92 D42 TURBINA D590/334X92 D42	VENTOLA D590/334X92 D42	1
	65311718	VENTILATORRAD D600/346X93 D48 VENTILATORRAD D600/346X93 D48	TURBINE D600/346X93 D48 TURBINA D600/346X93 D48	VENTOLA D600/346X93 D48	1
1090	65311471	ZUENDTRAF0 EBI 1X11 230V ONTSTEKINGSTRAFO EBI 1X11 230V	ALLUMEUR EBI 1X11 230V ENCENDEDOR EBI 1X11 230V	TRASFORMATORE ACCENSIONE EBI 1X11 230V	1
1091	1738733651	ZUENDTRAF0 ZM20/14 230V 50HZ 2X7KV ED50 ONTSTEKINGSTRAFO ZM20/14 2X7 230V ED50	ALLUMEUR ZM20/14 2X7 230V ED50 ENCENDEDOR ZM20/14 2X7 230V ED50	TRANSFO. ACC. ZM20/14 2X7 230V ED50	1
1093	65313375	KLAMMER D22.5 ZU FOTOZELLE RAR 7/QRA 2 STIJGBEUGEL FOTOCEL D22.5 RAR 7/QRA 2	ETRIER CELLULE D22.5 POUR RAR 7/QRA 2 ESTRIBO CELULA D22.5 PARA RAR 7/QRA 2	STAFFA FOTOCELLULA D22.5 PER RAR7/QRA2	1
1094	65312311	FLANSCH FOTOZELLENHALTER D22.5 ALU FOTOCEL STEUN	SUPPORT CELLULE SOPORTE CELULA	SUPPORTO FOTOCELLULA	1
1095	1758106258	UV-ZELLE QRA-2 O.KABEL FOTOCEL QRA 2	CELLULE QRA 2 CELULA QRA 2	CELLULA QRA 2	1
1100	65311472	SICHTSPIEGEL FÜR SCHAUGLAS SPIEGEL/KIJKGLAS	MIROIR/REGARD ESPEJO/MIRILLA	SPECCHIO/SPIONCINO	1
1110	65311595	DRUCKWAECHTER LGW 50 A2P 2,5-50MBAR LUCHTDRIKUSCHAKELAAR LGW 50 A2P 2,5-50MB	MANOSTAT AIR LGW 50 A2P 2,5-50MB PRESOSTATO AIRE LGW 50 A2P 2,5-50MB	PRESSOSTATO ARIA LGW 50 A2P 2,5-50MB	1
1120	65312855	GASKLAPPE+SCHRITTMOTOR BG GASKLEP+SERVOMOTOR EQ.	CLAPET GAZ+SERVOMOTEUR EQ. VALVULA DEL GAS+SERVOMOTOR EQ.	VALVOLA DEL GAS+SERVOMOTORE COMPL.	1
1121	65312853	GASKLAPPE RP4 STE4,5 3N-STM30+O'RING GASKLEP RP4 STE 4,5 3N-STM30+O'RING	CLAPET GAZ RP4 STE4,5 3N-STM30+O'RING VALVULA GAS.RP4 STE4,5 3N-STM30+O'RING	VALVOLA GAS RP4 STE4,5 3N-STM30+O'RING	1
1122	65323999	O-RING 8475D120,02X6,99 O-RING 8475D120,02X6,99	O-RING 8475D120,02X6,99 O-RING 8475D120,02X6,99	O-RING 8475D120,02X6,99	1
1150	65311650	STELLANTRIEB STE4,5 Q3.51/6 3NM R(BT3XX) SERVOMOTOR STE4,5 Q3.51/6 3NM R (BT3XX)	SERVOMOTEUR STE4,5 Q3.51/6 3NM R (BT3XX) SERVOMOTOR STE4,5 Q3.51/6 3NM R (BT3XX)	SERVOMOTORE STE4,5 Q3.51/6 3NM R (BT3XX)	1
1160	65311650	STELLANTRIEB STE4,5 Q3.51/6 3NM R(BT3XX) SERVOMOTOR STE4,5 Q3.51/6 3NM R (BT3XX)	SERVOMOTEUR STE4,5 Q3.51/6 3NM R (BT3XX) SERVOMOTOR STE4,5 Q3.51/6 3NM R (BT3XX)	SERVOMOTORE STE4,5 Q3.51/6 3NM R (BT3XX)	1
1170	65326333	MOTOR 11KW 400/690V D42 IE3 ELV SCHWARZ MOTOR 11KW 400/690V D42 IE3 ELV ZWART	MOTEUR 11KW 400/690V D42 IE3 ELV NOIR MOTOR 11KW 400/690V D42 IE3 ELV NEGRO	MOTORE 11KW 400/690V D42 IE3 ELV NERO	1
	65326334	MOTOR 15KW 400/690V D42 IE3 ELV SCHWARZ MOTOR 15KW 400/690V D42 IE3 ELV ZWART	MOTEUR 15KW 400/690V D42 IE3 ELV NOIR MOTOR 15KW 400/690V D42 IE3 ELV NEGRO	MOTORE 15KW 400/690V D42 IE3 ELV NERO	1
	65326335	MOTOR 18,5KW 400/690V D42 IE3 ELV SCHWZ MOTOR 18,5KW 400/690V D42 IE3 ELV ZWART	MOTEUR 18,5KW 400/690V D42 IE3 ELV NOIR MOTOR 18,5KW 400/690V D42 IE3 ELV NEGRO	MOTORE 18,5KW 400/690V D42 IE3 ELV NERO	1
	65326336	MOTOR 22KW 400/690V D48 IE3 ELV SCHWARZ MOTOR 22KW 400/690V D48 IE3 ELV ZWART	MOTEUR 22KW 400/690V D48 IE3 ELV NOIR MOTOR 22KW 400/690V D48 IE3 ELV NEGRO	MOTORE 22KW 400/690V D48 IE3 ELV NERO	1
1171	65311933	KABELVERSCHRABUNG M.RED. M32X1,5 SW PAKKINGBUS M32X1,5	PRESSE-ETOUPE M32X1,5 PRENSAESTOPAS M32X1,5	PREMISTOPPA M32X1,5	1
1200	65312856	LUFTKLAPPE BG EKEVO8/9 COMPLETE LUCHTKLEP EKEVO8/9	VOLET D'AIR EQUIPE EKEVO8/9 VÁLVULA DE AIRE EQUIPADA EKEVO8/9	SERRANDA DELL'ARIA EQUIP. EKEVO8/9	1
1400	65312848	ZAHNRAD Z=100 M=1 BO=12MM EKEVO8/9 TANDWIEL Z=100 M=1 BO=12MM EKEVO8/9	ROUE DENTEE Z=100 M=1 BO=12MM EKEVO8/9 RUEDA DENTADA Z=100 M=1 BO=12MM EKEVO8/9	RUOTA DENTATA Z=100 M=1 BO=12MM EKEVO8/9	1

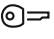


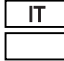

		DE	FR	IT	
		NL	ES		
1510	65312340	BRENNERSCHRANKHAUBE KAP ELEKTRISCHE KAST	CAPOT ARMOIRE ELEC. CUBIERTA ARMARIO ELÉCTRICO	COPERCHIO ARMADIO ELETTRICO	1
1512	65312338	BLINDDECKEL/REGLER 92X45 IP54 AFSLUITER/REGELAAR 92X45 IP54	OBTURATEUR REGULATEUR 92X45 IP54 CONJUNTO/REGULADOR 92X45 IP54	OTTURATORE/REGOLATORE 92X45 IP54	1
1520	65326712	ANZEIGE FÜR FEUERUNGSAUTOMAT BT3XX DISPLAY VOOR BRANDERAUTOMAAT BT3XX	AFFICHEUR POUR COFFRET BT3XX PANTALLA PARA PROGRAMADOR BT3XX	DISPLAY PER APPARECCHIATURA BT3XX	1
1525	65311364	DICHTUNG/EINZEIGE 152/140X80/70X2 PAKKING/DISPLAY 152/140X80/70X2	JOINT/AFFICHEUR 152/140X80/70X2 JUNTA/PANTALLA 152/140X80/70X2	GUARNIZIONE/DISPLAY 152/140X80/70X2	1
1530	65312454	FEUERUNGSAUTOMAT BT340 GL-E BRANDERAUTOMAAT BT340 GL-E	COFFRET BT340 GL-E PROGRAMADOR BT340 GL-E	APPARECCHIATURA BT340 GL-E	1
1540	65311790	LCM100 (LSB-M 667R0500-1) LCM100-MODULE (LSB-M 667R0500-1)	MODULE LCM100 (LSB-M 667R0500-1) MÓDULO LCM100 (LSB-M 667R0500-1)	MODULO LCM100 (LSB-M 667R0500-1)	1
1550	65311791	DFM300 (LSB-M 667R0600-1) DFM300-MODULE (LSB-M 667R0600-1)	MODULE DFM300 (LSB-M 667R0600-1) MÓDULO DFM300 (LSB-M 667R0600-1)	MODULO DFM300 (LSB-M 667R0600-1)	1
1555	65311789	ADAPTER BT300/DFM300 RAST5 ADAPTER BT300/DFM300 RAST5	ADAPTATEUR BT300/DFM300 RAST5 ADAPTADOR BT300/DFM300 RAST5	ADATTATORE BT300/DFM300 RAST5	1
1556	65313849	SICHERUNGSHALTER+ SICHERUNG 6,3A(KERAM.) ZEKERINGHOUDER+ZEKERING 6,3A (CERAMIC)	PORTE FUSIBLE+FUSIBLE 6.3A (CERAMIQUE) PORTA FUSIBLE+FUSIBLE 6.3A (CERAMIC)	PORTAFUSIBILE + FUSIBILE 6.3A (CERAMIC)	1
1557	65313850	SICHERUNG 6,3A(KERAM.) ZEKERING 6,3A (CERAMIC)	FUSIBLE 6.3A (CERAMIQUE) FUSIBLE 6.3A (CERAMIC)	FUSIBILE 6.3A (CERAMIC)	1
1580	65311793	MOTORSCHUETZ SCH D 3-4KW LC1D09P7 CONTACT MOTOR SCH D 3-4KW LC1D09P7	CONTACTEUR MOTEUR SCH D 3-4KW LC1D09P7 CONTACTOR DE MOTOR SCH D 3-4KW LC1D09P7	CONTATTORE MOTORE SCH D 3-4KW LC1D09P7	1
1581	65311794	MOTORSCHUTZSCHALTER 3-4KW GV2ME14 VERMOGENSCHAKEL. MOTOR 3-4KW GV2ME14	DISJONCTEUR MOTEUR 3-4KW GV2ME14 INTERRUPTOR MOTOR 3-4KW GV2ME14	INTERRUTTORE MOTORE 3-4KW GV2ME14	1
1585	65311795	HILFSSCHALTER GVAE11 HULPSCHAKELAAR GVAE11	CONTACT AUXILIAIRE GVAE11 INTERRUPTOR AUXILIAR GVAE11	INTERRUTTORE AUSILIARIO GVAE11	1
1595	65311796	MOTORSTARTER Y/D 18KW LC3D18AP7 MOTOR STARTER Y/D 18KW LC3D18AP7	DEMARREUR MOT. ET./TRI. 18KW LC3D18P7 ARRANQUE MOTOR Y/D 18KW LC3D18AP7	AVVIATORE STELLA/TRIA. 18KW LC3D18P7	1
	65311797	MOTORSTARTER Y/D 22KW LC3D32AP7 MOTOR STARTER Y/D 22KW LC3D32AP7	DEMARREUR MOT. ET./TRI. 22KW LC3D32AP7 ARRANQUE MOTOR Y/D 22KW LC3D32AP7	AVVIATORE STELLA/TRIA. 22KW LC3D32AP7	1
	65312015	MOTORSTARTER Y/D 11KW LC3D12AP7 MOTOR STARTER Y/D 11KW LC3D12AP7	DEMARREUR MOT. ET./TRI. 11KW LC3D12AP7 ARRANQUE MOTOR Y/D 11KW LC3D12AP7	AVVIATORE STELLA/TRIA. 11KW LC3D12AP7	1
1597	65311798	MOTORSCHUTZSCHALTER 15KW GV2ME32 VERMOGENSCHAKEL. MOTOR 15KW GV2ME32	DISJONCTEUR MOTEUR 15KW GV2ME32 INTERRUPTOR MOTOR 15KW GV2ME32	INTERRUTTORE MOTORE 15KW GV2ME32	1
	65311917	MOTORSCHUTZSCHALTER 22KW GV3P50 VERMOGENSCHAKEL. MOTOR 22KW GV3P50	DISJONCTEUR MOTEUR 22KW GV3P50 INTERRUPTOR MOTOR 22KW GV3P50	INTERRUTTORE MOTORE 22KW GV3P50	1
	65312018	MOTORSCHUTZSCHALTER 11KW GV2ME22 VERMOGENSCHAKEL. MOTOR 11KW GV2ME22	DISJONCTEUR MOTEUR 11KW GV2ME22 INTERRUPTOR MOTOR 11KW GV2ME22	INTERRUTTORE MOTORE 11KW GV2ME22	1
	65312019	MOTORSCHUTZSCHALTER 18,5KW GV3P40 VERMOGENSCHAKEL. MOTOR 18,5KW GV3P40	DISJONCTEUR MOTEUR 18,5KW GV3P40 INTERRUPTOR MOTOR 18,5KW GV3P40	INTERRUTTORE MOTORE 18,5KW GV3P40	1
1600	65312334	BRENNERSCHRANK KONTROLLEUCHE CONTROLELAMPJE ELEKTRISCHE KAST	VOYANT ARMOIRE ELECTRIQUE TESTIGO ARMARIO ELÉCTRICO	SPIA ARMADIO ELETTRICO	1
1601	65313828	3-STELL. DRUCKSCHALTER MOMENTANE SCHAKELAAR 3 POS.	INTERRUPTEUR 3 POS. INSTANTANE INTERRUPTOR DE ACCIÓN INSTANTÁN. 3 POS.	INTERRUTTORE 3 POS. INSTANTANEA	1
1604	65312335	2-STELL. KIPPSCHALTER SCHAKELAAR 2 POS.	INTERRUPTEUR 2 POS. INTERRUPTOR 2 POS.	INTERRUTTORE 2 POS.	1
1610	65311451	KABELVERSCHRAUBUNG M16 PAKKINGBUS M16	PRESSE-ETOUPE M16 PRENSAESTOPAS M16	PREMISTOPPA M16	1
1611	65311758	KABELVERSCHRAUBUNG M20 PAKKINGBUS M20	PRESSE-ETOUPE M20 PRENSAESTOPAS M20	PREMISTOPPA M20	1
1612	65312852	KABELVERSCHRAUBUNG CLICK M25 PAKKINGBUS CLICK M25	PRESSE-ETOUPE CLICK M25 PRENSAESTOPAS CLICK M25	PREMISTOPPA CLICK M25	1
1699	65312244	KABEL ANSCHLUSS BT300/LCM100 667P0515 KABEL ANSCHLUSS BT300/LCM100 667P0515	CABLE LIAISON BT300/LCM100 667P0515 CABLE CONNECT. BT300/LCM100 667P0515	CAVO COLLEGA BT300/LCM100 667P0515	1
1700	65311446	WAG BETAETIGUNGSWERKZEUG 2009-309 BEDIENINGSGEREEDSCHAP WAG 2009-309	OUTIL DE MANOEUVRE WAG 2009-309 HERRAMIENTA D.ACCIONAM. WAG 2009-309	DISPOSITIVO DI MANOVRA WAG 2009-309	1
2020	65312078	FLAMMENROHR D369/400/320 L617 BRANDERBUIJS D369/400/320 L617	TUBE DE FLAMME D369/400/320 L617 TUBO DE LLAMA D369/400/320 L617	BOCCAGLIO D369/400/320 L617	1
	65312079	FLAMMENROHR D369/400/320 L757 BRANDERBUIJS D369/400/320 L757	TUBE DE FLAMME D369/400/320 L757 TUBO DE LLAMA D369/400/320 L757	BOCCAGLIO D369/400/320 L757	1
	65312080	FLAMMENROHR D369/400/320 L897 BRANDERBUIJS D369/400/320 L897	TUBE DE FLAMME D369/400/320 L897 TUBO DE LLAMA D369/400/320 L897	BOCCAGLIO D369/400/320 L897	1
	65312081	FLAMMENROHR D369/415/351 L638 BRANDERBUIJS D369/415/351 L638	TUBE DE FLAMME D369/415/351 L638 TUBO DE LLAMA D369/415/351 L638	BOCCAGLIO D369/415/351 L638	1
	65312082	FLAMMENROHR D369/415/351 L778 BRANDERBUIJS D369/415/351 L778	TUBE DE FLAMME D369/415/351 L778 TUBO DE LLAMA D369/415/351 L778	BOCCAGLIO D369/415/351 L778	1
	65312083	FLAMMENROHR D369/415/351 L918 BRANDERBUIJS D369/415/351 L918	TUBE DE FLAMME D369/415/351 L918 TUBO DE LLAMA D369/415/351 L918	BOCCAGLIO D369/415/351 L918	1
	65312084	FLAMMENROHR D431.5 L355 BRANDERBUIJS D431,5/373 L408	TUBE DE FLAMME D431,5/373 L408 TUBO DE LLAMA D431,5/373 L408	BOCCAGLIO D431,5/373 L408	1
	65312085	FLAMMENROHR D431.5 L505 BRANDERBUIJS D431,5/373 L558	TUBE DE FLAMME D431,5/373 L558 TUBO DE LLAMA D431,5/373 L558	BOCCAGLIO D431,5/373 L558	1

			DE NL	FR ES	IT	
		65312086	FLAMMENROHR D431.5 L655 BRANDERBUIJS D431,5/373 L708	TUBE DE FLAMME D431,5/373 L708 TUBO DE LLAMA D431,5/373 L708	BOCCAGLIO D431,5/373 L708	1
2110		65311881	DRALLSTAUSCHEIBE D330/74 BEF.230MM 45GRD STUWPLAAT D330/74 BEF.230MM	DEFLECTEUR D330/74 BEF.230MM DEFLECTOR D330/74 BEF.230MM	DIFFUSORE D330/74 BEF.230MM	1
		65312087	DRALLSTAUSCHEIBE D320/74X67 20SL STUWPLAAT D320/74X67 20SL	DEFLECTEUR D320/74X67 20SL DEFLECTOR D320/74X67 20SL	DIFFUSORE D320/74X67 20SL	1
		65312088	DRALLSTAUSCHEIBE D300/281/120 N9 GL-E STUWPLAAT D300/74X67 20SL	DEFLECTEUR D300/74X67 20SL DEFLECTOR D300/74X67 20SL	DIFFUSORE D300/74X67 20SL	1
2120		65312089	GASSTABILISIERUNGSDUESE DI=13 STABILISATIE GAS NOZZLE D=13	DIFFUSEUR GAZ DE STABILISATION D=13 DIFUSOR GAS DE ESTABILIZACION D=13	INIETTORE DI STABILIZZAZIONE D=13	1
2130		65312090	GASWINKELDUESE DI=20 GEBOGEN GAS NOZZLE D=20	DIFFUSEUR GAZ ANGULAIRE D=20 DIFUSOR GAS ANGULAR D=20	INIETTORE GAS ANGOLARE D=20	1
		65312091	GASWINKELDUESE DI=22 GEBOGEN GAS NOZZLE D=22	DIFFUSEUR GAZ ANGULAIRE D=22 DIFUSOR GAS ANGULAR D=22	INIETTORE GAS ANGOLARE D=22	1
2145		65312094	VERSCHLUSSDECKEL F.GASLANZE D30 KAP V. GASLANS D30	OBTURATEUR DE TUBE GAZ D30 OBTURADOR TUBERIA GAS D30	OTTURATORE DI TUBO GAS D30	1
2150		65311710	GASROHR D35X2,2X360 GRL. GASBUIJS D35X2,2X360 GRL.	TUBE GAZ D35X2,2X360 GRL. TUBERIA GAS D35X2,2X360 GRL.	TUBO GAS D35X2,2X360 GRL.	1
		65312092	GASWINKELDUESE D35/24X56/245 GEBOGEN GAS NOZZLE D35/24X56/245	DIFFUSEUR GAZ ANGULAIRE D35/24X56/245 DIFUSOR GAS ANGULAR D35/24X56/245	INIETTORE GAS ANGOLARE D35/24X56/245	1
		65312093	GASWINKELDUESE D35/27X35/245 GEBOGEN GAS NOZZLE D35/27X35/245	DIFFUSEUR GAZ ANGULAIRE D35/27X35/245 DIFUSOR GAS ANGULAR D35/27X35/245	INIETTORE GAS ANGOLARE D35/27X35/245	1
		65312095	GASROHR D35X2,2X300 GASBUIJS D35X2,2X300	TUBE GAZ D35X2,2X300 TUBERIA GAS D35X2,2X300	TUBO GAS D35X2,2X300	1
2160		65311702	GASROHR D35X2,2X360 GASBUIJS D35X2,2X360	TUBE GAZ D35X2,2X360 TUBERIA GAS D35X2,2X360	TUBO GAS D35X2,2X360	1
		65311882	GASROHR D35X2,2X257 EINSTELLBAR GASBUIJS D35X2,2X257 VERSTELBAAR	TUBE GAZ D35X2,2X257 REGLABLE TUBERIA GAS D35X2,2X257 AJUSTABLE	TUBO GAS D35X2,2X257 REGOLABILE	1
2170		65311683	GASDÜSE D30X2/D12X1,5 GAS VERSPREIDER D30x2/D12x1,5	DIFFUSEUR GAZ D30X2/D12X1,5 DIFUSOR DE GAS D30x2/D12x1,5	INIETTORE GAS D30x2/D12x1,5	1
		65312096	GASDUESE D30X2/10X1,5X103 GAS NOZZLE D30X2/10X1,5X103	DIFFUSEUR GAZ D30X2/10X1,5X103 DIFUSOR GAS D30X2/10X1,5X103	INIETTORE GAS D30X2/10X1,5X103	1
2171		65312013	GASDUESE D30X2/D12X1 L73 GAS NOZZLE D30X2/D12X1 L73	DIFFUSEUR GAZ D30X2/D12X1 L73 DIFUSOR GAS D30X2/D12X1 L73	INIETTORE GAS D30X2/D12X1 L73	1
2180		65311712	GASROHR D35X2,2X45GR. GASBUIJS D35X2,2X45GR.	TUBE GAZ D35X2,2X45GR. TUBERIA GAS D35X2,2X45GR.	TUBO GAS D35X2,2X45GR.	1
		65312097	GASROHR D35X2,2X220/50 GASBUIJS D35X2,2X220/50	TUBE GAZ D35X2,2X220/50 TUBERIA GAS D35X2,2X220/50	TUBO GAS D35X2,2X220/50	1
		65312098	GASROHR D35X2,2X100/35 GASBUIJS D35X2,2X100/35	TUBE GAZ D35X2,2X100/35 TUBERIA GAS D35X2,2X100/35	TUBO GAS D35X2,2X100/35	1
2200	1728777751	ZÜNDKABEL D6,4/D6,4 L1500 AP ONTSTEKINGSKABEL D6,4/D6,4 L1500 AP	CABLE ALLUMAGE D6,4/D6,4 L1500 AP CABLE ENCENDIDO D6,4/D6,4 L1500 AP	CAVO ACCENSIONE D6,4/D6,4 L1500 AP	1	
2201	65310724	ZÜNDKABEL D4/SAT 72750 ONTSTEKINGSKABEL D4/SAT 72750	CABLE ALLUMAGE D4/SAT 72750 CABLE ENCENDIDO D4/SAT 72750	CAVO ACCENSIONE D4/SAT 72750	1	
2210	65311662	ELEKTRODENHALTER ELEKTRODESTEUN	SUPPORT ELECTRODE ALLUMAGE SOPORTE ELECTRODO	SUPPORTO ELETTRODO ACCENSIONE	1	
2230	65311690	ZÜNDELEKTRODE D11X100 D6,4 D2,5X150 45° ONTSTEKINGSPEN D11X100 D6,4 D2,5X150 45°	ELECTRODE ALLUM. D11X100D6,4D2,5X150 45° ELECTRODO ENC. D11X100 D6,4 D2,5X150 45°	ELETTRODO ACCENS.D11X100D6,4D2,5X150 45°	1	
	65313846	ZÜNDELEKTRODE D11X100D6,4D2,5X150 27/90° ONTSTEKINGSP. D11X100D6,4D2,5X150 27/90°	ELECTRODE ALL.D11X100D6,4D2,5X150 27/90° ELECTRODO ENC.D11X100D6,4D2,5X150 27/90°	ELETTRODO ACC.D11X100D6,4D2,5X150 27/90°	1	
2250	65311713	DICHTUNG/OVAL FLANSCH 210X160X2 D116 PAKKING/OVAL FLENS 210X160X2 D116	JOINT/BRIDE OVALE 210X160X2 D116 JUNTA/OVAL BRIDA 210X160X2 D116	GUARNIZIONE/OVAL FLANGIA 210X160X2 D116	1	
2260	65312022	ZENTRIERSTÜTZE MZE N8/EKEVO8 CENTREERVOORZIENING N8/EKEVO8 N8/EKEVO8	PIED DE CENTRAGE N8/EKEVO8 PILAR DE CENTRAJE N8/EKEVO8	DISPOSITIVO DI CENTRAGGIO N8/EKEVO8	1	
	65312023	ZENTRIERSTÜTZE MZE N9/EKEVO9 CENTREERVOORZIENING N8/EKEVO8 N9/EKEVO9	PIED DE CENTRAGE N9/EKEVO9 PILAR DE CENTRAJE N9/EKEVO9	DISPOSITIVO DI CENTRAGGIO N9/EKEVO9	1	
2320	65312099	ZENTRIERUNG F. DUESENGESTAENGE DM35 CENTREERVOORZIENING V.SPROEIERLIJNE DM35	PIED DE CENTRAGE POUR LIGNE GICLEUR DM35 CENTRADO LINEA DE BOQUILLA DM35	PIEDINO DI CENTRAGGIO/LINEA UGELLO DM35	1	
2330	65312100	HALTER ZENTRIERSTUECK STEUN VOOR CENTREERVOORZIENING	SUPPORT PIECE DE CENTRAGE SOPORTE PILAR DE CENTRAJE	SUPPORTO CENTRAGGIO	1	
2350	1728703262	ZÜNDELEKTROD.D11X220 D3X150 20° L150 D4 ONTSTEKINGSP. D11X220 D3X150 20° L150 D4	ELECT.ALLU. D11X220 D3X150 20° L150 D4 ELECTROD.ENC. D11X220 D3X150 20° L150 D4	ELETTRODO ACC.D11X220 D3X150 20° L150 D4	1	
2360	65312141	KLEMMRING F. ZENTRIERUNG CENTREERRING	BAGUE DE CENTRAGE ANILLO DE CENTRADO	ANELLO DI CENTRAGGIO	1	
2380	65310280	D-STANGE RDG1250 L860 SPROEIERLIJNE RDG1250 L860	LIGNE GICLEUR RDG1250 L860 LINEA DE BOQUILLA RDG1250 L860	LINEA UGELLO RDG1250 L860	1	
	65311817	D-STANGE RDG1250 L760 SPROEIERLIJNE RDG1250 L760	LIGNE GICLEUR RDG1250 L760 LINEA DE BOQUILLA RDG1250 L760	LINEA UGELLO RDG1250 L760	1	
	65311818	D-STANGE RDG1250 L960 SPROEIERLIJNE RDG1250 L960	LIGNE GICLEUR RDG1250 L960 LINEA DE BOQUILLA RDG1250 L960	LINEA UGELLO RDG1250 L960	1	
	65311884	D-STANGE RDG1250 L660 SPROEIERLIJNE RDG1250 L660	LIGNE GICLEUR RDG1250 L660 LINEA DE BOQUILLA RDG1250 L660	LINEA UGELLO RDG1250 L660	1	

		DE		FR		IT		
		NL	ES					
	65312102	D-STANGE RDG1250 L560 SPROEIERLIJNE RDG1250 L560	LIGNE GICLEUR RDG1250 L560 LÍNEA DE BOQUILLA RDG1250 L560	LINEA UGELLO RDG1250 L560				1
2490	65311435	OELSCHLAUCH DN16 L500 OLIESLANG DN16 L500	FLEXIBLE DN16 L500 LATIGUILLO DN16 L500	TUBO FLESSIBILE DN16 L500				1
2510	1218795344	MOTOR 3KW 230/400V D28 1400 TR/MN GMP MOTOR 3KW 230/400V D28 1400 TR/MN GMP	MOTEUR 3KW 230/400V D28 1400 TR/MN GMP MOTOR 3KW 230/400V D28 1400 TR/MN GMP	MOTORE 3KW 230/400V D28 1400 TR/MN GMP				1
	65312104	MOTOR 4KW 400/690V D28 1400 TR/MN GMP MOTOR 4KW 400/690V D28 1400 TR/MN GMP	MOTEUR 4KW 400/690V D28 1400 TR/MN GMP MOTOR 4KW 400/690V D28 1400 TR/MN GMP	MOTORE 4KW 400/690V D28 1400 TR/MN GMP				1
2520	65312206	DRUCKWAECHTER DSB158 F931, 3-25BAR, IP65 OLIEDRUKSCHAKELAAR DSB 158 F931 3-25BAR	MANOSTAT FIOUL DSB 158 F931 3-25BAR PRESOSTATO GASOLEO DSB 158 F931 3-25BAR	PRESSOSTATO GASOLIO DSB 158 F931 3-25BAR				1
2525	65311615	GERAETESTECKDOSE GDMW 30-11 DF STEKKER GDMW 30-11 DF	PRISE GDMW 30-11 DF TOMA GDMW 30-11 DF	PRESA GDMW 30-11 DF				1
2526	65311616	DICHTUNG GDM 3-21 PAKKING GDM 3-21	JOINT GDM 3-21 JUNTA GDM 3-21	GUARNIZIONE GDM 3-21				1
2550	65311650	STELLANTRIEB STE4,5 Q3.51/6 3NM R(BT3XX) SERVOMOTOR STE4,5 Q3.51/6 3NM R (BT3XX)	SERVOMOTEUR STE4,5 Q3.51/6 3NM R (BT3XX) SERVOMOTOR STE4,5 Q3.51/6 3NM R (BT3XX)	SERVOMOTORE STE4,5 Q3.51/6 3NM R (BT3XX)				1
2555	65311831	DISTANZBOLZEN M6/M8X42 SW15 AFSTANDHOUDER M6 /M8 X 42 SW15	ENTRETOISE M6/M8X42 SW15 DISTANCIADOR M6/M8X42 SW15	DISTANZIATORE M6/M8X42 SW15				1
2560	65312938	T-WINKELANSCHLUSS P-TV18/18/10L T-AANSLUITING P-TV18/18/10L	RACCORD EN T P-TV18/18/10L RACOR EN T P-TV18/18/10L	RACCORDO A T P-TV18/18/10L				1
2561	65313847	T-WINKELANSCHLUSS P-ELV18L-SV T-AANSLUITING P-ELV18L-SV	RACCORD EN T P-ELV18L-SV RACOR EN T P-ELV18L-SV	RACCORDO A T P-ELV18L-SV				1
2562	65313847	T-WINKELANSCHLUSS P-ELV18L-SV T-AANSLUITING P-ELV18L-SV	RACCORD EN T P-ELV18L-SV RACOR EN T P-ELV18L-SV	RACCORDO A T P-ELV18L-SV				1
2570	65312935	KUPPLUNG D10/D8X38-90 KOPPELING D10/D8X38-90	ACCOUPLLEMENT D10/D8X38-90 ACOPLAMIENTO D10/D8X38-90	GIUNTO D10/D8X38-90				1
2580	65311412	BEVESTIGINGSPLATTE HYDR.-BL.-STELL. STE BEVESTIGINGSPLAAT VAN DE SERVOMOTOR STE	PLATINE SERVOMOTEUR STE PLACA DEL SERVOMOTOR STE	PIASTRA SERVOMOTORE STE				1
2600	65312284	ANTRIEBS BG HYD-BLOCK N8/9&EKEVO8/9E BT HYDRAUL.BLOK AANDRIJF. N8/9&EKEVO8/9E BT	ENSEMBL.ENTR. BLOC HYD.N8/9&EKEVO8/9E BT CONJ.ACCION.UNID.HYDR. N8/9&EKEVO8/9E BT	GR.TRASMI.UNIT.IDRAUL. N8/9&EKEVO8/9E BT				1
2610	65311414	T-WINKELANSCHL.R1Z (SCHMUTZFAENG.) OVE T-AANSLUITING R1Z (FILTER) OVE	RACCORD EN T R1Z (FILTRE) OVE RACOR EN T R1Z (FILTRO) OVE	RACCORDO A T R1Z (FILTRO) OVE				1
	65311578	T-WINKELANSCHL.R3/4Z (SCHMUTZFAENG.) OVE T-AANSLUITING R3/4Z (FILTER) OVE	RACCORD EN T R3/4Z (FILTRE) OVE RACOR EN T R3/4Z (FILTRO) OVE	RACCORDO A T R3/4Z (FILTRO) OVE				1
2700	65311410	OELPUMPE VBHRG I 410 SO 1700L/H POMP VBHRG I 410 SO 1700L/H	POMPE FIOUL VBHRG I 410 SO 1700L/H BOMBA VBHRG I 410 SO 1700L/H	POMPA VBHRG I 410 SO 1700L/H				1
	65312105	OELPUMPE VBHRG 2200L/H POMP VBHRG 2200L/H	POMPE FIOUL VBHRG 2200L/H BOMBA VBHRG 2200L/H	POMPA VBHRG 2200L/H				1
2705	13022666	MAGNETVENTIL LUC 321F2523 P8 PG11 19W MAGNEETKLEP LUC 321F2523 P8 PG11 19W	ELECTROVANNE LUC 321F2523 P8 PG11 19W ELECTROVALVULA LUC 321F2523 P8 PG11 19W	ELETTROVALVOLA LUC 321F2523 P8 PG11 19W				1
2710	13022667	MAGNETVENTIL LUC 121F2523 P8 PG11 19W MAGNEETKLEP LUC 121F2523 P8 PG11 19W	ELECTROVANNE LUC 121F2523 P8 PG11 19W ELECTROVALVULA LUC 121F2523 P8 PG11 19W	ELETTROVALVOLA LUC 121F2523 P8 PG11 19W				1
2750	13019342	OELSCHLAUCH M30X1,5 DN20 L=1500 OLIESLANG M30X1,5 DN20 L=1500	FLEXIBLE M30X1,5 DN20 L=1500 LATIGUILLO M30X1,5 DN20 L=1500	FLESSIBILE M30X1,5 DN20 L=1500				1
	1488436955	OELSCHLAUCH M38X1,5 DN25 L=1500 OLIESLANG M38X1,5 DN25 L=1500	FLEXIBLE M38X1,5 DN25 L=1500 LATIGUILLO M38X1,5 DN25 L=1500	TUBO FLESSIBILE M38X1,5 DN25 L=1500				1
2800	65312285	REGELWELLE 8.0 LINKSVERS. GR.2 REGELING AS 8.0 (CCW) GR.2	ARBRE DE REGULATION 8.0(ROT.GAUCHE) GR.2 ARBOL DE REGULAC. 8.0(ROT.IZQUIERDA)GR.2	ALBERO DI REGOLAZ. 8.0(ROT.SINISTRA)GR.2				1
	65312292	REGELWELLE 7.0 LINKSVERS. GR.2 REGELING AS 7.0 (CCW) GR.2	ARBRE DE REGULATION 7.0(ROT.GAUCHE) GR.2 ARBOL DE REGULAC. 7.0(ROT.IZQUIERDA)GR.2	ALBERO DI REGOLAZ. 7.0(ROT.SINISTRA)GR.2				1
	65312304	REGELWELLE 7.0 LINKSVERS. REGELING AS 7.0 (CCW)	ARBRE DE REGULATION 7.0 (ROT. GAUCHE) ARBOL DE REGULACION 7.0 (ROT. IZQUIERDA)	ALBERO DI REGOLAZIONE 7.0 (ROT.SINISTRA)				1
	65312305	REGELWELLE 8.0 LINKSVERS. REGELING AS 8.0 (CCW)	ARBRE DE REGULATION 8.0 (ROT. GAUCHE) ARBOL DE REGULACION 8.0 (ROT. IZQUIERDA)	ALBERO DI REGOLAZIONE 8.0 (ROT.SINISTRA)				1
2810	65311406	PUMPENAGGREGAT SMG1630-I-4-SO-IE2 30BAR POMPAGGREGAAT SMG1630-I-4-SO-IE2 30BAR	GPE MOTOPOMPE SMG1630-I-4-SO-IE2 30BAR GRUPO DE BOMBA SMG1630-I-4-SO-IE2 30BAR	GRUPPO MOTOPOMP.SMG1630-I-4-SO-IE2 30BAR				1
	65312103	PUMPENAGGREGAT SMG1631-I-4-SO-IE2 30BAR POMPAGGREGAAT SMG1631-I-4-SO-IE2 30BAR	GPE MOTOPOMPE SMG1631-I-4-SO-IE2 30BAR GRUPO DE BOMBA SMG1631-I-4-SO-IE2 30BAR	GRUPPO MOTOPOMP.SMG1631-I-4-SO-IE2 30BAR				1
3005	65311613	DICHTUNG/GASSTRECKE D162/115X2 DN100 PAKKING/GASTRAIN D162/115X2 DN100	JOINT/RAMPE GAZ D162/115X2 DN100 JUNTA/GASTRAIN D162/115X2 DN100	GUARNIZIONE/RAMPA GAS D162/115X2 DN100				1
3010	65311678	GASANSCHLUSSSTÜCK DN100 / R2Z STANDARD GASAANSLUITBUIS DN100-R2Z 2G1/4 PN16	COLLECTEUR GAZ DN100 / R2" STD. COLECTOR DN100-R2Z 2G1/4 PN16	COLLETTORE GAS DN100 / R2" STD.				1
3020	65311606	GERADE-EINSCHRAUBVERSCHR.P-GEV 8LR-WD-VI RECHTE AANSLUITING P-GEV 8LR-WD-VI	RACCORD DROIT P-GEV 8LR-WD-VI RACOR RECTO P-GEV 8LR-WD-VI	RACCORDO DESTRO P-GEV 8LR-WD-VI				1
3030	65311604	EINSTELLB.W-VERSCHRAUBUNG P-EWV 8-L GEBOGEN AANSLUITING P-EWV 8-L	RACCORD COUDE P-EWV 8-L RACOR ACODADO P-EWV 8-L	RACCORDO A GOMITO P-EWV 8-L				1
3040	65311579	MESSNIPPEL R1/4Z M.DICHTUNG MEETNIPPEL R1/4Z+AFDICHTING	PRISE DE PRESSION R1/4Z+JOINT TOMA DE PRESIÓN R1/4Z+JUNTA	PRESA DI PRESSIONE R1/4Z+GUARNIZIONE				1
3060	65311581	GAS-MV VGD 20.5011 R2Z X 265 MM GASKLEP VGD20 5011 RP2"	VANNE GAZ VGD20 5011 RP2" VALVULA GAS VGD20 5011 RP2"	VALVOLA GAS VGD20 5011 RP2"				1
3070	65107100	STELLANTRIEB SKP25.003E2 O. ENDSCHALTER REGELMOT. GAS SKP25.003E2 Z.EINDSCHALTE	SERVOMOT. GAZ SKP25.003E2 S.FIN COURSE SERVOMOTOR SKP25.003 E2 SIN FIN CARRERA	SERVOMOT. GAS SKP25.003E2 S.FINE CORSA				1

		DE		FR		IT		
		NL		ES				
3080	65311585	KABEL ANSCHLUSS AGA 62 STCK DIN L270 KABEL CONNECT AGA 62 STCK DIN L270		CABLE CONNECT AGA 62 PRISE DIN L270 CABLE CONNECT AGA 62 TOMA DIN L270		CAVO COLLEGA AGA 62 PRESA DIN L270		1
3090	1478836180	STELLANTRIEB SKP 15.000E2 O. ENDSCHALTER REGELMOTOR GAS SKP15.000E2 Z.EINDSCHALTE		SERVOMOT.GAZ SKP15.000E2 SANS FIN COURSE SERVOMO. GAS SKP15.000E2 SIN FIN CARRERA		SERVOMOT.GAS SKP15.000E2 SENZ.FINE CORSA		1
3110	65311377	FLANSCH AGF10.50 RP2 FLENS AGF10.50 RP2		BRIDE AGF10.50 RP2 BRIDA AGF10.50 RP2		FLANGIA AGF10.50 RP2		1
3120	65310852	DRUCKWAECHTER GW 500 A5 (30-500MBAR) GASDRUKSCHAKELAAR GW 500 A5 30-500MB		MANOSTAT GAZ GW 500 A5 30-500MB PRESOSTATO GAS GW 500 A5 30-500MB		PRESSOSTATO GAS GW 500 A5 30-500MB		1
	65323022	GASDRUCKWAECHTER GW 150 A6 5-50 MBAR GASDRUKSCHAKELAAR GW 150 A6 10-150MB		MANOSTAT GAZ GW 150 A6 10-150MB PRESOSTATO GAS GW 150 A6 10-150MB		PRESSOSTATO GAS GW 150 A6 10-150MB		1
3130	65311586	LEITUNGSDOSE VENTILANTRIEB AGA64 STEKKER VROUWELIJK AGA64		PRISE FEMELLE AGA64 TOMA HEMBRA AGA64		PRESA FEMMINA AGA64		1
3140	65311615	GERAETESTECKDOSE GDMW 30-11 DF STEKKER GDMW 30-11 DF		PRISE GDMW 30-11 DF TOMA GDMW 30-11 DF		PRESA GDMW 30-11 DF		1
3300	65311459	GASFILTER GF80M-1616-A-1 RP2 1BAR GASFILTER GF80M-1616-A-1 RP2 1BAR		FILTRE GAZ GF80M-1616-A-1 RP2 1BAR FILTRO GAS GF80M-1616-A-1 RP2 1BAR		FILTRO GAS GF80M-1616-A-1 RP2 1BAR		1
3301	65311361	ERSATZTEILSET F.GASFILTER GF 80M FILTERELEMENT GF 80M		ELEMENT FILTRANT GF 80M ELEMENTO FILTRANTE GF 80M		ELEMENTO FILTRANTE GF 80M		1
3505	65311613	DICHTUNG/GASSTRECKE D162/115X2 DN100 PAKKING/GASTRAIN D162/115X2 DN100		JOINT/RAMPE GAZ D162/115X2 DN100 JUNTA/GASTRAIN D162/115X2 DN100		GUARNIZIONE/RAMPA GAS D162/115X2 DN100		1
3510	65311973	GASANSCHLUSSSTUECK DN100 RP2Z GASAANSLUITBUIS DN100 / R2		TUBE CONNEXION GAZ DN100 / RP2" COLLECTOR DN100 / R2		TUBO CONNEZIONE GAS DN100 / Rp2"		1
3580	65311840	GASVENTIL MBC-1200-SE S82 RP2Z 5-80MBAR GASKLEP MBC1200 SE S82 RP2" 5-80 MBAR		VANNE GAZ MBC1200 SE S82 RP2" 5-80 MBAR VALVULA GAS MBC1200 SE S82 RP2" 5-80MBA		VALVOLA GAS MBC1200 SE S82 RP2" 5-80MBA		1
3620	65313022	FLANSCH ZU DMV-D R 2Z O.MESSNIPPEL FLENS MBC700/1200 RP2		BRIDE MBC700/1200 RP2 BRIDA MBC700/1200 RP2		FLANGIA MBC700/1200 RP2		1
3640	65310852	DRUCKWAECHTER GW 500 A5 (30-500MBAR) GASDRUKSCHAKELAAR GW 500 A5 30-500MB		MANOSTAT GAZ GW 500 A5 30-500MB PRESOSTATO GAS GW 500 A5 30-500MB		PRESSOSTATO GAS GW 500 A5 30-500MB		1
	65311598	DRUCKWAECHTER GW 150 A5 M. STECKERANSCHL GASDRUKSCHAKELAAR GW 150 A5 30-150MB		MANOSTAT GAZ GW 150 A5 30-150MB PRESOSTATO GAS GW 150 A5 30-150MB		PRESSOSTATO GAS GW 150 A5 30-150MB		1
3650	65311615	GERAETESTECKDOSE GDMW 30-11 DF STEKKER GDMW 30-11 DF		PRISE GDMW 30-11 DF TOMA GDMW 30-11 DF		PRESA GDMW 30-11 DF		1
3700	13022417	FILTEREINSATZ F.GASVENT.MBC-1200 ZEEFFILTER/GASKLEP MBC1200		FILTRE TAMIS/VANNE GAZ MBC1200 FILTRO DE TAMIZ/VÁLVULA DE GAS MBC1200		SET FILTRI/VALVOLA GAS MBC1200		1
3800	65311459	GASFILTER GF80M-1616-A-1 RP2 1BAR GASFILTER GF80M-1616-A-1 RP2 1BAR		FILTRE GAZ GF80M-1616-A-1 RP2 1BAR FILTRO GAS GF80M-1616-A-1 RP2 1BAR		FILTRO GAS GF80M-1616-A-1 RP2 1BAR		1
3801	65311361	ERSATZTEILSET F.GASFILTER GF 80M FILTERELEMENT GF 80M		ELEMENT FILTRANT GF 80M ELEMENTO FILTRANTE GF 80M		ELEMENTO FILTRANTE GF 80M		1
4005	65311613	DICHTUNG/GASSTRECKE D162/115X2 DN100 PAKKING/GASTRAIN D162/115X2 DN100		JOINT/RAMPE GAZ D162/115X2 DN100 JUNTA/GASTRAIN D162/115X2 DN100		GUARNIZIONE/RAMPA GAS D162/115X2 DN100		1
4010	65311674	GASANSCHLUSSSTÜCK DN100 / DN65 GASAANSLUITBUIS DN100/DN65		COLLECTEUR GAZ DN100/DN65 COLLECTOR DN100/DN65		COLLETTORE GAS DN100/DN65		1
	65311675	GASANSCHLUSSSTÜCK DN100 / DN80 GASAANSLUITBUIS DN100-DN80 PN16		COLLECTEUR GAZ DN100/DN80 COLECTOR DN100-DN80 PN16		COLLETTORE GAS DN100/DN80		1
	65311676	GASANSCHLUSSSTÜCK DN100 / DN100 GASAANSLUITBUIS DN100/DN100		COLLECTEUR GAZ DN100/DN100 COLLECTOR DN100/DN100		COLLETTORE GAS DN100/DN100		1
	65311677	GASANSCHLUSSSTÜCK DN100 / DN125 GASAANSLUITBUIS DN100/DN125		COLLECTEUR GAZ DN100/DN125 COLLECTOR DN100/DN125		COLLETTORE GAS DN100/DN125		1
4020	65311601	GERADE-EINSCHRAUBSTUT.P-EGES 12L/R 1/4WD RECHTE AANSLUITING P-EGES 12L/R 1/4WD		RACCORD DROIT P-EGES 12L/R 1/4WD RACOR RECTO P-EGES 12L/R 1/4WD		RACCORDO DESTRO P-EGES 12L/R 1/4WD		1
4030	65311608	EINSTELLB.WINKELVERSCHR.P-EWV12L-SV AANSLUITING (ELLEBOOG) P-EWV12L-SV		RACCORD COUDE P-EWV12L-SV RACOR (CODO) P-EWV12L-SV		RACCORDO CURVA P-EWV12L-SV		1
4040	65311605	KREUZVERSCHR.P-KV12L AANSLUITING P-KV12L		RACCORD P-KV12L RACOR P-KV12L		RACCORDO P-KV12L		1
4060	65311607	VERSCHLUSSTOPFEN VSD 12L/S O.M.MB. STOP VSD 12L/S O.M.MB.		BOUCHON VSD 12L/S O.M.MB. TAPÓN VSD 12L/S O.M.MB.		TAPPO VSD 12L/S O.M.MB.		1
4070	65311601	GERADE-EINSCHRAUBSTUT.P-EGES 12L/R 1/4WD RECHTE AANSLUITING P-EGES 12L/R 1/4WD		RACCORD DROIT P-EGES 12L/R 1/4WD RACOR RECTO P-EGES 12L/R 1/4WD		RACCORDO DESTRO P-EGES 12L/R 1/4WD		1
4080	65311453	GAS-MV VGD 40.125 DN125 PN16 X 400 MM GASKLEP VGD40 125 DN125		VANNE GAZ VGD40 125 DN125 VALVULA GAS VGD40 125 DN125		VALVOLA GAS VGD40 125 DN125		1
	65311583	GAS-MV VGD 40.080 DN80 X 310MM GASKLEP VGD40 080 DN80		VANNE GAZ VGD40 080 DN80 VALVULA GAS VGD40 080 DN80		VALVOLA GAS VGD40 080 DN80		1
	65311590	GAS-MV VGD 40.100 DN100 X 350 MM GASKLEP VGD40 100 DN100		VANNE GAZ VGD40 100 DN100 VALVULA GAS VGD40 100 DN100		VALVOLA GAS VGD40 100 DN100		1
	65323661	GAS-MV VGD 40.065 GASKLEP VGD40 065 DN65		VANNE GAZ VGD40 065 DN65 VÁLVULA GAS VGD40 065 DN65		VALVOLA GAS VGD40 065 DN65		1
4090	65107100	STELLANTRIEB SKP25.003E2 O. ENDSCHALTER REGELMOT. GAS SKP25.003E2 Z.EINDSCHALTE		SERVOMOT. GAZ SKP25.003E2 S.FIN COURSE SERVOMOTOR SKP25.003 E2 SIN FIN CARRERA		SERVOMOT. GAS SKP25.003E2 S.FINE CORSA		1
4100	65311585	KABEL ANSCHLUSS AGA 62 STCK DIN L270 KABEL CONNECT AGA 62 STCK DIN L270		CABLE CONNECT AGA 62 PRISE DIN L270 CABLE CONNECT AGA 62 TOMA DIN L270		CAVO COLLEGA AGA 62 PRESA DIN L270		1
4110	1478836180	STELLANTRIEB SKP 15.000E2 O. ENDSCHALTER REGELMOTOR GAS SKP15.000E2 Z.EINDSCHALTE		SERVOMOT.GAZ SKP15.000E2 SANS FIN COURSE SERVOMO. GAS SKP15.000E2 SIN FIN CARRERA		SERVOMOT.GAS SKP15.000E2 SENZ.FINE CORSA		1

☰	XXXXXXXX	DE	FR	IT	X
		NL	ES		
4120	65311611	DICHTUNG/GASSTRECKE D127/77X2 DN65 PAKKING/GASTRAIN D127/77X2 DN65	JOINT/RAMPE GAZ D127/77X2 DN65 JUNTA/GASTRAIN D127/77X2 DN65	GUARNIZIONE/RAMPA GAS D127/77X2 DN65	1
	65311612	DICHTUNG/GASSTRECKE D142/90X2 DN80 PAKKING/GASTRAIN D142/90X2 DN80	JOINT/RAMPE GAZ D142/90X2 DN80 JUNTA/GASTRAIN D142/90X2 DN80	GUARNIZIONE/RAMPA GAS D142/90X2 DN80	1
4130	65311613	DICHTUNG/GASSTRECKE D162/115X2 DN100 PAKKING/GASTRAIN D162/115X2 DN100	JOINT/RAMPE GAZ D162/115X2 DN100 JUNTA/GASTRAIN D162/115X2 DN100	GUARNIZIONE/RAMPA GAS D162/115X2 DN100	1
	65311614	DICHTUNG/GASSTRECKE D192/141X2 DN125 PAKKING/GASTRAIN D192/141X2 DN125	JOINT/RAMPE GAZ D192/141X2 DN125 JUNTA/GASTRAIN D192/141X2 DN125	GUARNIZIONE/RAMPA GAS D192/141X2 DN125	1
4140	65311586	LEITUNGSDOSE VENTILANTRIEB AGA64 STEKKER VROUWELIJK AGA64	PRISE FEMELLE AGA64 TOMA HEMBRA AGA64	PRESA FEMMINA AGA64	1
4140	65311615	GERAETESTECKDOSE GDMW 30-11 DF STEKKER GDMW 30-11 DF	PRISE GDMW 30-11 DF TOMA GDMW 30-11 DF	PRESA GDMW 30-11 DF	1
4150	65310852	DRUCKWAECHTER GW 500 A5 (30-500MBAR) GASDRUKSCHAKELAAR GW 500 A5 30-500MB	MANOSTAT GAZ GW 500 A5 30-500MB PRESOSTATO GAS GW 500 A5 30-500MB	PRESSOSTATO GAS GW 500 A5 30-500MB	1
	65323022	GASDRUCKWAECHTER GW 150 A6 5-50 MBAR GASDRUKSCHAKELAAR GW 150 A6 10-150MB	MANOSTAT GAZ GW 150 A6 10-150MB PRESOSTATO GAS GW 150 A6 10-150MB	PRESSOSTATO GAS GW 150 A6 10-150MB	1
4300	65311460	GASFILTER GF65MF-2020-A-1 DN65 1BAR GASFILTER GF65MF-2020-A-1 DN65 1BAR	FILTRE GAZ GF65MF-2020-A-1 DN65 1BAR FILTRO GAS GF65MF-2020-A-1 DN65 1BAR	FILTRO GAS GF65MF-2020-A-1 DN65 1BAR	1
	65311461	GASFILTER GF80MF-2424-A-1 DN80 1BAR GASFILTER GF80MF-2424-A-1 DN80 1BAR	FILTRE GAZ GF80MF-2424-A-1 DN80 1BAR FILTRO GAS GF80MF-2424-A-1 DN80 1BAR	FILTRO GAS GF80MF-2424-A-1 DN80 1BAR	1
	65311462	GASFILTER GF100MF-3232-A-1 DN100 1BAR GASFILTER GF100MF-3232-A-1 DN100 1BAR	FILTRE GAZ GF100MF-3232-A-1 DN100 1BAR FILTRO GAS GF100MF-3232-A-1 DN100 1BAR	FILTRO GAS GF100MF-3232-A-1 DN100 1BAR	1
	65311463	GASFILTER GF125MF-4040-A-1 DN125 1BAR GASFILTER GF125MF-4040-A-1 DN125 1BAR	FILTRE GAZ GF125MF-4040-A-1 DN125 1BAR FILTRO GAS GF125MF-4040-A-1 DN125 1BAR	FILTRO GAS GF125MF-4040-A-1 DN125 1BAR	1
4301	65311723	ERSATZTEILSET F.GASFILTER GF 65MF FILTERELEMENT GF65MF	ELEMENT FILTRANT GF65MF ELEMENTO FILTRANTE GF65MF	ELEMENTO FILTRANTE GF65MF	1
	65311888	ERSATZTEILSET F.GASFILTER GF 80MF FILTERELEMENT GF80MF	ELEMENT FILTRANT GF80MF ELEMENTO FILTRANTE GF80MF	ELEMENTO FILTRANTE GF80MF	1
	65311889	ERSATZTEILSET F.GASFILTER GF100MF FILTERELEMENT GF100MF	ELEMENT FILTRANT GF100MF ELEMENTO FILTRANTE GF100MF	ELEMENTO FILTRANTE GF100MF	1
	65311890	ERSATZTEILSET F.GASFILTER GF125MF FILTERELEMENT GF125MF	ELEMENT FILTRANT GF125MF ELEMENTO FILTRANTE GF125MF	ELEMENTO FILTRANTE GF125MF	1
4505	65311613	DICHTUNG/GASSTRECKE D162/115X2 DN100 PAKKING/GASTRAIN D162/115X2 DN100	JOINT/RAMPE GAZ D162/115X2 DN100 JUNTA/GASTRAIN D162/115X2 DN100	GUARNIZIONE/RAMPA GAS D162/115X2 DN100	1
4510	65311674	GASANSCHLUSSSTÜCK DN100 / DN65 GASAANSLUITBUIS DN100/DN65	COLLECTEUR GAZ DN100/DN65 COLLECTOR DN100/DN65	COLLETORE GAS DN100/DN65	1
	65311675	GASANSCHLUSSSTÜCK DN100 / DN80 GASAANSLUITBUIS DN100-DN80 PN16	COLLECTEUR GAZ DN100/DN80 COLLECTOR DN100-DN80 PN16	COLLETORE GAS DN100/DN80	1
	65311676	GASANSCHLUSSSTÜCK DN100 / DN100 GASAANSLUITBUIS DN100/DN100	COLLECTEUR GAZ DN100/DN100 COLLECTOR DN100/DN100	COLLETORE GAS DN100/DN100	1
4520	65311601	GERADE-EINSCHRAUBSTUT.P-EGES 12L/R 1/4WD RECHTE AANSLUITING P-EGES 12L/R 1/4WD	RACCORD DROIT P-EGES 12L/R 1/4WD RACOR RECTO P-EGES 12L/R 1/4WD	RACCORDO DESTRO P-EGES 12L/R 1/4WD	1
4530	65311344	T-VERSCHRAUBUNG P-TV 12 L T-STUK P-TV 12 L	RACCORD EN T P-TV 12 L RACOR EN T P-TV 12 L	RACCORDO A T P-TV 12 L	1
4560	65311607	VERSCHLUSSTOPFEN VSD 12L/S O.M.MB. STOP VSD 12L/S O.M.MB.	BOUCHON VSD 12L/S O.M.MB. TAPÓN VSD 12L/S O.M.MB.	TAPPO VSD 12L/S O.M.MB.	1
4580	65311844	GASVENTIL MBC-1900-SE DN65 40-80MBAR GASKLEP MBC1900 SE DN65 40-80MBAR	VANNE GAZ MBC1900 SE DN65 40-80MBAR VALVULA GAS MBC1900SE DN65 40-80MBAR	VALVOLA GAS MBC1900 SE DN65 40-80MBAR	1
	65311845	GASVENTIL MBC-3100-SE DN80 40-80MBAR GASKLEP MBC3100 SE DN80 40-80 MBAR	VANNE GAZ MBC3100 SE DN80 40-80 MBAR VALVULA GAS MBC3100 SE DN80 40-80 MBAR	VALVOLA GAS MBC3100 SE DN80 40-80 MBAR	1
	65311846	GASVENTIL MBC-5000-SE DN100 40-80MBAR GASKLEP MBC5000 SE DN100 40-80 MBAR	VANNE GAZ MBC5000 SE DN100 40-80 MBAR VALVULA GAS MBC5000 SE DN100 40-80 MBAR	VALVOLA GAS MBC5000 SE DN100 40-80 MBAR	1
4620	65311611	DICHTUNG/GASSTRECKE D127/77X2 DN65 PAKKING/GASTRAIN D127/77X2 DN65	JOINT/RAMPE GAZ D127/77X2 DN65 JUNTA/GASTRAIN D127/77X2 DN65	GUARNIZIONE/RAMPA GAS D127/77X2 DN65	1
	65311612	DICHTUNG/GASSTRECKE D142/90X2 DN80 PAKKING/GASTRAIN D142/90X2 DN80	JOINT/RAMPE GAZ D142/90X2 DN80 JUNTA/GASTRAIN D142/90X2 DN80	GUARNIZIONE/RAMPA GAS D142/90X2 DN80	1
	65311613	DICHTUNG/GASSTRECKE D162/115X2 DN100 PAKKING/GASTRAIN D162/115X2 DN100	JOINT/RAMPE GAZ D162/115X2 DN100 JUNTA/GASTRAIN D162/115X2 DN100	GUARNIZIONE/RAMPA GAS D162/115X2 DN100	1
4640	65310852	DRUCKWAECHTER GW 500 A5 (30-500MBAR) GASDRUKSCHAKELAAR GW 500 A5 30-500MB	MANOSTAT GAZ GW 500 A5 30-500MB PRESOSTATO GAS GW 500 A5 30-500MB	PRESSOSTATO GAS GW 500 A5 30-500MB	1
	65323022	GASDRUCKWAECHTER GW 150 A6 5-50 MBAR GASDRUKSCHAKELAAR GW 150 A6 10-150MB	MANOSTAT GAZ GW 150 A6 10-150MB PRESOSTATO GAS GW 150 A6 10-150MB	PRESSOSTATO GAS GW 150 A6 10-150MB	1
4650	65311615	GERAETESTECKDOSE GDMW 30-11 DF STEKKER GDMW 30-11 DF	PRISE GDMW 30-11 DF TOMA GDMW 30-11 DF	PRESA GDMW 30-11 DF	1
4800	65311460	GASFILTER GF65MF-2020-A-1 DN65 1BAR GASFILTER GF65MF-2020-A-1 DN65 1BAR	FILTRE GAZ GF65MF-2020-A-1 DN65 1BAR FILTRO GAS GF65MF-2020-A-1 DN65 1BAR	FILTRO GAS GF65MF-2020-A-1 DN65 1BAR	1
	65311461	GASFILTER GF80MF-2424-A-1 DN80 1BAR GASFILTER GF80MF-2424-A-1 DN80 1BAR	FILTRE GAZ GF80MF-2424-A-1 DN80 1BAR FILTRO GAS GF80MF-2424-A-1 DN80 1BAR	FILTRO GAS GF80MF-2424-A-1 DN80 1BAR	1
	65311462	GASFILTER GF100MF-3232-A-1 DN100 1BAR GASFILTER GF100MF-3232-A-1 DN100 1BAR	FILTRE GAZ GF100MF-3232-A-1 DN100 1BAR FILTRO GAS GF100MF-3232-A-1 DN100 1BAR	FILTRO GAS GF100MF-3232-A-1 DN100 1BAR	1
4801	65311723	ERSATZTEILSET F.GASFILTER GF 65MF FILTERELEMENT GF65MF	ELEMENT FILTRANT GF65MF ELEMENTO FILTRANTE GF65MF	ELEMENTO FILTRANTE GF65MF	1

					
	65311888	ERSATZTEILSET F.GASFILTER GF 80MF FILTERELEMENT GF80MF	ELEMENT FILTRANT GF80MF ELEMENTO FILTRANTE GF80MF	ELEMENTO FILTRANTE GF80MF	1
	65311889	ERSATZTEILSET F.GASFILTER GF100MF FILTERELEMENT GF100MF	ELEMENT FILTRANT GF100MF ELEMENTO FILTRANTE GF100MF	ELEMENTO FILTRANTE GF100MF	1
5001	1458645325	DUESE BER 350KG 55° CBM SPROEIER BER 350KG 55° CBM	GICLEUR BER 350KG 55° CBM BOQUILLA BER 350KG 55° CBM	UGELLO BER 350KG 55° CBM	1
	1458645347	DUESE BER 400KG 55° CBM SPROEIER BER 400KG 55° CBM	GICLEUR BER 400KG 55° CBM BOQUILLA BER 400KG 55° CBM	UGELLO BER 400KG 55° CBM	1
	1458645392	DUESE BER 650KG 55° CBM SPROEIER BER 650KG 55° CBM	GICLEUR BER 650KG 55° CBM BOQUILLA BER 650KG 55° CBM	UGELLO BER 650KG 55° CBM	1
	1458698846	DUESE DZ1000 750KG 80° M14 1-5 SPROEIER DZ1000 750KG 80° M14 1-5	GICLEUR DZ1000 750KG 80° M14 1-5 BOQUILLA DZ1000 750KG 80° M14 1-5	UGELLO DZ1000 750KG 80° M14 1-5	1
	1458698891	DUESE DZ1000 1000KG 80° M14 1-5 SPROEIER DZ1000 1000KG 80° M14 1-5	GICLEUR DZ1000 1000KG 80° M14 1-5 BOQUILLA DZ1000 1000KG 80° M14 1-5	UGELLO DZ1000 1000KG 80° M14 1-5	1
	65311201	DUESE DZ1000 950KG 80° M14 1-5 SPROEIER DZ1000 950KG 80° M14 1-5	GICLEUR DZ1000 950KG 80° M14 1-5 BOQUILLA DZ1000 950KG 80° M14 1-5	UGELLO DZ1000 950KG 80° M14 1-5	1
	65312421	DUESE DZ1000 800KG 80° M14 1-5 SPROEIER DZ1000 800KG 80° M14 1-5	GICLEUR DZ1000 800KG 80° M14 1-5 BOQUILLA DZ1000 800KG 80° M14 1-5	UGELLO DZ1000 800KG 80° M14 1-5	1
	65313182	DUESE BER 275KG 55° CBM SPROEIER BER 275KG 55° CBM	GICLEUR BER 275KG 55° CBM BOQUILLA BER 275KG 55° CBM	UGELLO BER 275KG 55° CBM	1
	65313183	DUESE BER 300KG 55° CBM SPROEIER BER 300KG 55° CBM	GICLEUR BER 300KG 55° CBM BOQUILLA BER 300KG 55° CBM	UGELLO BER 300KG 55° CBM	1
	65313184	DUESE BER 450KG 55° CBM SPROEIER BER 450KG 55° CBM	GICLEUR BER 450KG 55° CBM BOQUILLA BER 450KG 55° CBM	UGELLO BER 450KG 55° CBM	1
	65313185	DUESE BER 500KG 55° CBM SPROEIER BER 500KG 55° CBM	GICLEUR BER 500KG 55° CBM BOQUILLA BER 500KG 55° CBM	UGELLO BER 500KG 55° CBM	1
	65313186	DUESE BER 600KG 55° CBM SPROEIER BER 600KG 55° CBM	GICLEUR BER 600KG 55° CBM BOQUILLA BER 600KG 55° CBM	UGELLO BER 600KG 55° CBM	1
	65313190	DUESE DZ1000 900KG 80° M14 1-5 SPROEIER DZ1000 900KG 80° M14 1-5	GICLEUR DZ1000 900KG 80° M14 1-5 BOQUILLA DZ1000 900KG 80° M14 1-5	UGELLO DZ1000 900KG 80° M14 1-5	1
	65313851	DUESE BER 550KG 55° CBM SPROEIER BER 550KG 55° CBM	GICLEUR BER 550KG 55° CBM BOQUILLA BER 550KG 55° CBM	UGELLO BER 550KG 55° CBM	1
	65313852	DUESE DZ1000 550KG 80° M14 1-5 SPROEIER DZ1000 550KG 80° M14 1-5	GICLEUR DZ1000 550KG 80° M14 1-5 BOQUILLA DZ1000 550KG 80° M14 1-5	UGELLO DZ1000 550KG 80° M14 1-5	1
	65313853	DUESE DZ1000 700KG 80° M14 1-5 SPROEIER DZ1000 700KG 80° M14 1-5	GICLEUR DZ1000 700KG 80° M14 1-5 BOQUILLA DZ1000 700KG 80° M14 1-5	UGELLO DZ1000 700KG 80° M14 1-5	1
	65313854	DUESE DZ1000 650KG 80° M14 1-5 SPROEIER DZ1000 650KG 80° M14 1-5	GICLEUR DZ1000 650KG 80° M14 1-5 BOQUILLA DZ1000 650KG 80° M14 1-5	UGELLO DZ1000 650KG 80° M14 1-5	1
	65313855	DUESE DZ1000 850KG 80° M14 1-5 SPROEIER DZ1000 850KG 80° M14 1-5	GICLEUR DZ1000 850KG 80° M14 1-5 BOQUILLA DZ1000 850KG 80° M14 1-5	UGELLO DZ1000 850KG 80° M14 1-5	1
5002	65312447	FEUERUNGSAUT. BT340 BASISINSTELL. BRANDERAUT. BT340 BASIS AFSTELLING	COFFRET BT340 REGLAGE DE BASE PROGRAMADOR BT340 CONFIGUR. BÁSICA	APPARECCH. BT340 REGOL. BASE	1
	65312450	FEUERUNGSAUT. BT340 SPEZIAL EINSTELL. BRANDERAUT. BT340 SPEZIAL. AFSTELLING	COFFRET BT340 REGLAGE SPECIFIQUE PROGRAMADOR BT340 CONFIG. ESPECÍFICA	APPARECCH. BT340 REGOL. SPEZIAL.	1
5010	65311362	PRUEFBRENNER M.DRUCKKNOPFHahn PB2 PROEFBRANDER MET DRUKKNOP PB2	BRULEUR ESSAI AVEC B. POUSSOIR PB2 QUEMADOR DE PRUEBA CON PULSADOR PB2	BRUCIATORE DI PROVA CON PULSANTE PB2	1
5020	65311918	VSM100 (LSB-M 667R0200-1) VSM100-MODULE (LSB-M 667R0200-1)	MODULE VSM100 (LSB-M 667R0200-1) MÓDULO VSM100 (LSB-M 667R0200-1)	MODULO VSM100 (LSB-M 667R0200-1)	1
5025	65312275	KONSOLE LAM F152 659G0501 CONSOLE LAM F152 659G0501	CONSOLE LAM F152 659G0501 CONSOLA LAM F152 659G0501	CONSOLLE LAM F152 659G0501	1
5035	65312550	IND. NÄHERUNGSSCHALTER NAMUR NI5-G12-Y1 SENSOR NAMUR NI5-G12-Y1	CAPTEUR NAMUR NI5-G12-Y1 SENSOR NAMUR NI5-G12-Y1	SENSORE NAMUR NI5-G12-Y1	1
5042	65311940	RELAIS FIN 38.61.8.240.5060 KLL 1W FZ RELAIS FIN 38.61.8.240.5060 KLL 1W FZ	RELAIS FIN 38.61.8.240.5060 KLL 1W FZ RELE FIN 38.61.8.240.5060 KLL 1W FZ	RELE FIN 38.61.8.240.5060 KLL 1W FZ	1
5100	65312292	REGELWELLE 7.0 LINKSVERS. GR.2 REGELING AS 7.0 (CCW) GR.2	ARBRE DE REGULATION 7.0(ROT.GAUCHE) GR.2 ARBOL DE REGULAC. 7.0(ROT.IZQUIERDA)GR.2	ALBERO DI REGOLAZ. 7.0(ROT.SINISTRA)GR.2	1
	65312293	REGELWELLE 9.0 LINKSVERS. GR.2 REGELING AS 9.0 (CCW) GR.2	ARBRE DE REGULATION 9.0(ROT.GAUCHE) GR.2 ARBOL DE REGULAC. 9.0(ROT.IZQUIERDA)GR.2	ALBERO DI REGOLAZ. 9.0(ROT.SINISTRA)GR.2	1
	65312302	REGELWELLE 5.0 LINKSVERS. REGELING AS 5.0 (CCW)	ARBRE DE REGULATION 5.0 (ROT. GAUCHE) ARBOL DE REGULACION 5.0 (ROT. IZQUIERDA)	ALBERO DI REGOLAZIONE 5.0 (ROT.SINISTRA)	1
	65312303	REGELWELLE 6.0 LINKSVERS. REGELING AS 6.0 (CCW)	ARBRE DE REGULATION 6.0 (ROT. GAUCHE) ARBOL DE REGULACION 6.0 (ROT. IZQUIERDA)	ALBERO DI REGOLAZIONE 6.0 (ROT.SINISTRA)	1
	65312304	REGELWELLE 7.0 LINKSVERS. REGELING AS 7.0 (CCW)	ARBRE DE REGULATION 7.0 (ROT. GAUCHE) ARBOL DE REGULACION 7.0 (ROT. IZQUIERDA)	ALBERO DI REGOLAZIONE 7.0 (ROT.SINISTRA)	1
	65312305	REGELWELLE 8.0 LINKSVERS. REGELING AS 8.0 (CCW)	ARBRE DE REGULATION 8.0 (ROT. GAUCHE) ARBOL DE REGULACION 8.0 (ROT. IZQUIERDA)	ALBERO DI REGOLAZIONE 8.0 (ROT.SINISTRA)	1
5300	65114033	REGLER RWF 55.50A9 REGELAAR RWF 55.50A9	REGULATEUR RWF 55.50A9 REGULADOR RWF 55.50A9	REGOLATORE RWF 55.50A9	1
5500	65312274	FLAMMENFUEHLER FFS08-UV1 659D31 - 5M FOTOCEL FFS08-UV1 659D31 - 5M W/O	CELLULE FFS08-UV1 659D31 - 5M W/O CELULA FFS08-UV1 659D31 - 5M W/O	CELLULA FFS08-UV1 659D31 - 5M W/O	1


		RU	PT	PL	
		TR			
1040	65311665	ВОЗДУХОЗАБОРНИК D332x127,5 HAVA GIRIŞ D332x127,5	ENTRADA DE AR D332x127,5	WLOT POWIETRZA D332x127,5	1
	65311672	ВОЗДУХОЗАБОРНИК D318x134 HAVA GIRIŞ D318x134	ENTRADA DE AR D318x134	WLOT POWIETRZA D318x134	1
	65311673	ВОЗДУХОЗАБОРНИК D288x127 HAVA GIRIŞ D288x127	ENTRADA DE AR D288x127	WLOT POWIETRZA D288x127	1
	65311715	ВОЗДУХОЗАБОРНИК D344x126 HAVA GIRIŞ D344x126	ENTRADA DE AR D344x126	WLOT POWIETRZA D344x126	1
1050	1180603227	БЕСЦВЕТ. ГЛАЗОК ДЛЯ КОНТРОЛЯ ПЛАМЕНИ RENKSİZ GÖZETLEME CAMI D55X21	VIGIA INCOLOR D55X21	WZIERNIK BEZBARWNA D55X21	1
1060	1188052260	ГЛАЗОК ДЛЯ КОНТРОЛЯ ПЛАМЕНИ КОРОБ KARAK/GÖZETLEME CAMI D55X61	TAMPA VIGIA D55X61	POKRYWA/WZIERNIK D55X61	1
1065	65312849	ШКАЛУ-ИНДИКАТОР ХОДА ЕКЕВО 8/9 INDICATÖR İSKALA EKEVO 8/9	INDICADOR AJUST. CON ESCALA EKEVO 8/9	WSKAŹNIK + SKALI EKEVO 8/9	1
1070	1180559591	ГАЙКА/ГЛАЗОК ДЛЯ КОНТРОЛЯ ПЛАМЕНИ SOMUN/GÖZETLEME CAMI M48X1,5 SW60	PARAFUSO VIGIA M48X1,5 SW60	NAKRĘTKA/WZIERNIK M48X1,5 SW60	1
1075	65313875	ОСЬ / ВОЗДУШ.ЗАСП./POINTER D12X680 M8-M6 AKSI/HAVA KLAPESI/POINTER D12X680 M8-M6	HASTE / FLAP DE AR/PONTOS D12X680 M8-M6	OŚ / PRZEPUST.POW./POINTER D12X680 M8-M6	1
1076	65313877	ОСЬ / СЕРВОДВИГАТЕЛЬ/GEAR D12X679 AKSI / SERVOMOTOR/GEAR D12X679	HASTE / SERVOMOTOR/ENGRANAGEM D12X679	OŚ / SERVOMOTOR/GEAR D12X679	1
1077	65313876	ОСЬ / ВОЗДУШ.ЗАСП./GEAR D12X671 AKSI / HAVA KLAPESI/GEAR D12X671	HASTE / FLAP DE AR/ENGRANAGEM D12X671	OŚ / PRZEPUST.POW./GEAR D12X671	1
1078	65313874	ОСЬ / ВОЗДУШ.ЗАСП./LEVER D12X669 M8 AKSI / HAVA KLAPESI/LEVER D12X669 M8	HASTE / FLAP DE AR/ALAVANCA D12X669 M8	OŚ / PRZEPUST.POW./LEVER D12X669 M8	1
1079	65313873	РЫЧАГ/ОСЬ ВОЗДУШНАЯ ЗАСП. 54X20 D10-D6 KOL/NAKSI HAVA KLAPESI 54X20 D10-D6	ALAVANCA / HASTE FLAP DE AR 54X20 D10-D6	DŹWIGNIA/OŚ PRZEPUST.POW. 54X20 D10-D6	1
1080	65311670	РАБОЧЕЕ КОЛЕСО D556/320X86 D42 TÜRBİN D556/320X86 D42	TURBINA D556/320X86 D42	WIMIK D556/320X86 D42	1
	65311716	РАБОЧЕЕ КОЛЕСО D533/290X83 D42 TÜRBİN D533/290X83 D42	TURBINA D533/290X83 D42	WIMIK D533/290X83 D42	1
	65311717	РАБОЧЕЕ КОЛЕСО D590/334X92 D42 TÜRBİN D590/334X92 D42	TURBINA D590/334X92 D42	WIMIK D590/334X92 D42	1
	65311718	РАБОЧЕЕ КОЛЕСО D600/346X93 D48 TÜRBİN D600/346X93 D48	TURBINA D600/346X93 D48	WIMIK D600/346X93 D48	1
1090	65311471	ТРАНСФОРМАТОР РОЗЖИГА EBI 1X11 230 ATEŞLEME TRAFÖ. EBI 1X11 230V	TRANSFO IGNIÇÃO EBI 1X11 230V	TRANSFO ZAPŁONOWY EBI 1X11 230V	1
1091	1738733651	ТРАНСФО РОЗЖИГА ZM20/14 2X7 230V ED50 ATEŞLEME TRAFÖ. ZM20/14 2X7 230V ED50	TRANSFO IGNIÇÃO ZM20/14 2X7 230V ED50	TRANSFO ZAPŁONOWY ZM20/14 2X7 230V ED50	1
1093	65313375	СТРЕМЯ ФОТОРЕЗИСТОР D22.5 RAR 7/QRA 2 ÜZENGI HÜCRE D22.5 İÇİN RAR 7/QRA 2	ESTRIBO CELULA D22.5 PARA RAR 7/QRA 2	STRZEMIĘ D22.5 FOTOKOMÓRKA RAR 7/QRA 2	1
1094	65312311	ДЕРЖАТЕЛЬ ФОТОРЕЗИСТОР DESTEĞİ HÜCRE	SUPORTE CELULA	WSPORNIK FOTOKOMÓRKA	1
1095	1758106258	ФОТОРЕЗИСТОР QRA 2 HÜCRE QRA 2	CELULA QRA 2	FOTOKOMÓRKA QRA 2	1
1100	65311472	ЗЕРКАЛО/ГЛАЗОК ДЛЯ КОНТРОЛЯ ПЛАМЕНИ AYNA/GÖZETLEME CAMI	ESPELHO/VIGIA	LUSTRO/WZIERNIK	1
1110	65311595	РЕЛЕ ДАВ. ВОЗДУХА LGW 50 A2P 2,5-50MB HAVA BASINÇ ŞALT. LGW 50 A2P 2,5-50MB	PRESSOSTATO AR LGW 50 A2P 2,5-50MB	CZUJNIK CIŚ. POW. LGW 50 A2P 2,5-50MB	1
1120	65312855	ГАЗОВЫЙ КЛАПАН+СЕРВОДВИГАТЕЛЬ В СБОРЕ GAZ KLAPESI+KOMPLE SERVO MOTOR	VÁLVULA DE GÁS + ATUADOR COMPLETO	ZAWÓR GAZU+SERWOMOTOR KOMPLETNY	1
1121	65312853	ГАЗОВЫЙ КЛАПАН RP4 STE4,5 3N-STM30+O'RG GAZ KLAPESI RP4 STE4,5 3N-STM30+O'RING	VÁLVULA GÁS RP4 STE4,5 3N-STM30+O'RING	ZAWÓR GAZU.RP4 STE4,5 3N-STM30+O'RING	1
1122	65323999	O-RING 8475D120,02X6,99 O-RING 8475D120,02X6,99	O-RING 8475D120,02X6,99	O-RING 8475D120,02X6,99	1
1150	65311650	СЕРВОДВИГАТЕ. STE4,5 Q3.51/6 3NM R (BT3XX) SERVOMOTOR STE4,5 Q3.51/6 3NM R (BT3XX)	SERVOMOTOR STE4,5 Q3.51/6 3NM R (BT3XX)	SERVOMOTOR STE4,5 Q3.51/6 3NM R (BT3XX)	1
1160	65311650	СЕРВОДВИГАТЕ. STE4,5 Q3.51/6 3NM R (BT3XX) SERVOMOTOR STE4,5 Q3.51/6 3NM R (BT3XX)	SERVOMOTOR STE4,5 Q3.51/6 3NM R (BT3XX)	SERVOMOTOR STE4,5 Q3.51/6 3NM R (BT3XX)	1
1170	65326333	ЭЛЕКТРОДВИГАТЕ. 11KW 400/690V D42 IE3 ЧЕ. MOTORU 11KW 400/690V D42 IE3 ELV SIYAH	MOTOR 11KW 400/690V D42 IE3 ELV PRETO	SILNIK 11KW 400/690V D42 IE3 ELV CZARNY	1
	65326334	ЭЛЕКТРОДВИГАТЕ. 15KW 400/690V D42 IE3 ЧЕ. MOTORU 15KW 400/690V D42 IE3 ELV SIYAH	MOTOR 15KW 400/690V D42 IE3 ELV PRETO	SILNIK 15KW 400/690V D42 IE3 ELV CZARNY	1
	65326335	ЭЛЕКТРОДВИГА. 18,5KW 400/690V D42 IE3 ЧЕ. MOTORU 18,5KW 400/690V D42 IE3 ELV SIYAH	MOTOR 18,5KW 400/690V D42 IE3 ELV PRETO	SILNIK 18,5KW 400/690V D42 IE3 ELV CZAR.	1
	65326336	ЭЛЕКТРОДВИГАТЕ. 22KW 400/690V D48 IE3 ЧЕ. MOTORU 22KW 400/690V D48 IE3 ELV SIYAH	MOTOR 22KW 400/690V D48 IE3 ELV PRETO	SILNIK 22KW 400/690V D48 IE3 ELV CZARNY	1
1171	65311933	САЛБНИК M32X1,5 KABLO BEZİ M32X1,5	PRENSAESTOPAS M32X1,5	DLAWNICA M32X1,5	1
1200	65312856	ВОЗДУШНАЯ ЗАСЛОНКА В СБОРЕ ЕКЕВО8/9 DONANIMLI HAVA KLAPESI EKEVO8/9	CONJUNTO ALETA DE AR EKEVO8/9	PRZEPUSTNICA POWIETR. Z OSPR.EKEVO8/9	1
1400	65312848	ЗУБЧАТОЕ КОЛЕ. Z=100 M=1 BO=12MM EKEVO8/9 DIŞLI ÇARK Z=100 M=1 BO=12MM EKEVO8/9	RODA DENTADA Z=100 M=1 BO=12MM EKEVO8/9	KOŁO ZĘBATE Z=100 M=1 BO=12MM EKEVO8/9	1

		 			
1510	65312340	ЧЕХОЛ ЭЛЕКТРОННОГО ЩИТА ELEKTRİK MUHAFAZA KAPAĞI	TAMPA DO ARMÁRIO ELÉTRICO	POKRYWA URZĄDZEŃ ELEKTRYCZNYCH	1
1512	65312338	ЗАГЛУШКА/РЕГУЛЯТОР 92X45 IP54 OBTÜRATOER/REGÜLATÖR 92X45 IP54	TAMPA CEGA/CONTROLADOR 92X45 IP54	ZASŁEPKA/REGULATOR 92X45 IP54	1
1520	65326712	ДИСПЛЕЙ БЛОКА УПРАВЛЕНИЯ BT3XX EKRAN KUTU BT3XX	VISOR UNIDADE DE CONTROLE BT3XX	WYŚWIETLACZ MODUŁ BT3XX	1
1525	65311364	ПРОКЛАДКА/DISPLAY 152/140X80/70X2 CONTASI/DISPLAY 152/140X80/70X2	GAXETA/DISPLAY 152/140X80/70X2	USZCZELKA/DISPLAY 152/140X80/70X2	1
1530	65312454	БЛОК УПРАВЛЕНИЯ BT340 GL-E KUTU BT340 GL-E	PROGRAMADOR BT340 GL-E	MODUŁ BT340 GL-E	1
1540	65311790	МОДУЛЬ LCM100 (LSB-M 667R0500-1) MODÜLÜ LCM100 (LSB-M 667R0500-1)	MÓDULO LCM100 (LSB-M 667R0500-1)	MODUL LCM100 (LSB-M 667R0500-1)	1
1550	65311791	МОДУЛЬ DFM300 (LSB-M 667R0600-1) MODÜLÜ DFM300 (LSB-M 667R0600-1)	MÓDULO DFM300 (LSB-M 667R0600-1)	MODUL DFM300 (LSB-M 667R0600-1)	1
1555	65311789	АДАПТЕР BT300/DFM300 RAST5 ADAPTÖR BT300/DFM300 RAST5	ADAPTADOR BT300/DFM300 RAST5	ADAPTER BT300/DFM300 RAST5	1
1556	65313849	ДЕРЖАТЕЛЬ ПРЕД.+ПРЕДОХР-ЛЬ 6,3A(CERAMIC) SİGORTA TAŞIYICI + 6.3A SİGORTA(CERAMIC)	PORTA-FUSÍVEL+FUSÍVEL 6,3A (CERAMIC)	OPRAWA BEZPIEC.+BEZPIECZNIK 6,3A(CERAMIC)	1
1557	65313850	ПРЕДОХР-ЛЬ 6,3A(CERAMIC) 6.3A SİGORTA(CERAMIC)	FUSÍVEL 6,3A (CERAMIC)	BEZPIECZNIK 6,3A(CERAMIC)	1
1580	65311793	ВЫКЛЮЧ. ЭЛЕКТРОДВ. SCH D 3-4kW LC1D09P7 KONTAKTOER MOTOR SCH D 3-4kW LC1D09P7	CONTATOR MOTOR SCH D 3-4kW LC1D09P7	STYCZNIK SILNIK SCH D 3-4kW LC1D09P7	1
1581	65311794	РАЗЪЕДИНИТ. ЭЛЕКТРОДВИГА. 3-4KW GV2ME14 DEVRE KESİCİ MOTOR 3-4KW GV2ME14	DISJUNTOR MOTOR 3-4KW GV2ME14	WYŁĄCZNIKI SILNIK 3-4KW GV2ME14	1
1585	65311795	ВСПОМОГАТЕЛЬНЫЙ ПЕРЕКЛЮЧАТЕЛЬ GVAE11 YARDIMCI ANAHTARI GVAE11	INTERRUPTOR AUXILIAR GVAE11	PRZELĄCZNIK POMOCNICZY GVAE11	1
1595	65311796	ПУСКАТЕЛЬ ДВИГАТЕЛЯ Y/D 18KW LC3D18AP7 MARŞ MOTORU Y/D 18KW LC3D18AP7	ARRANCADOR MOTOR Y/D 18KW LC3D18AP7	ROZRUSZ. SILNIKA Y/D 18KW LC3D18AP7	1
	65311797	ПУСКАТЕЛЬ ДВИГАТЕЛЯ Y/D 22KW LC3D32AP7 MARŞ MOTORU Y/D 22KW LC3D32AP7	ARRANCADOR MOTOR Y/D 22KW LC3D32AP7	ROZRUSZ. SILNIKA Y/D 22KW LC3D32AP7	1
	65312015	ПУСКАТЕЛЬ ДВИГАТЕЛЯ Y/D 11KW LC3D12AP7 MARŞ MOTORU Y/D 11KW LC3D12AP7	ARRANCADOR MOTOR Y/D 11KW LC3D12AP7	ROZRUSZ. SILNIKA Y/D 11KW LC3D12AP7	1
1597	65311798	РАЗЪЕДИНИТ. ЭЛЕКТРОДВИ. 15KW GV2ME32 DEVRE KESİCİ MOTOR 15KW GV2ME32	DISJUNTOR MOTOR 15KW GV2ME32	WYŁĄCZNIKI SILNIK 15KW GV2ME32	1
	65311917	РАЗЪЕДИНИТ. ЭЛЕКТРОДВИ. 22KW GV3P50 DEVRE KESİCİ MOTOR 22KW GV3P50	DISJUNTOR MOTOR 22KW GV3P50	WYŁĄCZNIKI SILNIK 22KW GV3P50	1
	65312018	РАЗЪЕДИНИТ. ЭЛЕКТРОДВИ. 11KW GV2ME22 DEVRE KESİCİ MOTOR 11KW GV2ME22	DISJUNTOR MOTOR 11KW GV2ME22	WYŁĄCZNIKI SILNIK 11KW GV2ME22	1
	65312019	РАЗЪЕДИНИТ. ЭЛЕКТРОДВИ. 18,5KW GV3P40 DEVRE KESİCİ MOTOR 18,5KW GV3P40	DISJUNTOR MOTOR 18,5KW GV3P40	WYŁĄCZNIKI SILNIK 18,5KW GV3P40	1
1600	65312334	СИГНАЛЬНАЯ ЛАМПА ЭЛЕКТРОННОГО ЩИТА İKAZ IŞIĞI ELEKTRİK MUHAFAZA	LUZ INDICADORA DO ARMÁRIO ELÉTRICO	LAMPKA KONTROLNA URZĄDZEŃ ELEKTRY.	1
1601	65313828	ПЕРЕКЛЮЧАТЕЛЬ 3 ПОЗ. МОМЕНТ. СНИМОК ANAHTARI ÜÇ POZİSYONLU ANINDA	INTERRUPTOR MOMENTÂNEO 3 POS.	PRZELĄCZNIK 3 POZ. MIGAWKA	1
1604	65312335	ПЕРЕКЛЮЧАТЕЛЬ 2 ПОЗ. ANAHTARI İKİ POZİSYONLU	INTERRUPTOR 2 POS.	PRZELĄCZNIK 2 POZ.	1
1610	65311451	САЛБНИК M16 KABLO RAKORU M16	PRENSAESTOPAS M16	DŁAWNICA M16	1
1611	65311758	САЛБНИК M20 KABLO RAKORU M20	PRENSAESTOPAS M20	DŁAWNICA M20	1
1612	65312852	САЛБНИК CLICK M25 KABLO RAKORU CLICK M25	PRENSAESTOPAS CLICK M25	DŁAWNICA CLICK M25	1
1699	65312244	КАБЕЛЬ CONNECT. BT300/LCM100 667P0515 KABLOSU CONNECT. BT300/LCM100 667P0515	CABO CONNECT. BT300/LCM100 667P0515	PRZEWÓD CONNECT. BT300/LCM100 667P0515	1
1700	65311446	ИНСТРУМЕНТЫ WAG 2009-309 İŞLETİM ARAC WAG 2009-309	FERRAMENTA WAG 2009-309	NARZĘD. D.PRZELĄCZANIA WAG 2009-309	1
2020	65312078	СОПЛО ГОРЕЛКИ D369/400/320 L617 BRÜLÖR BORUSU D369/400/320 L617	TUBO DO QUEIMADOR D369/400/320 L617	RURA PALNIKA D369/400/320 L617	1
	65312079	СОПЛО ГОРЕЛКИ D369/400/320 L757 BRÜLÖR BORUSU D369/400/320 L757	TUBO DO QUEIMADOR D369/400/320 L757	RURA PALNIKA D369/400/320 L757	1
	65312080	СОПЛО ГОРЕЛКИ D369/400/320 L897 BRÜLÖR BORUSU D369/400/320 L897	TUBO DO QUEIMADOR D369/400/320 L897	RURA PALNIKA D369/400/320 L897	1
	65312081	СОПЛО ГОРЕЛКИ D369/415/351 L638 BRÜLÖR BORUSU D369/415/351 L638	TUBO DO QUEIMADOR D369/415/351 L638	RURA PALNIKA D369/415/351 L638	1
	65312082	СОПЛО ГОРЕЛКИ D369/415/351 L778 BRÜLÖR BORUSU D369/415/351 L778	TUBO DO QUEIMADOR D369/415/351 L778	RURA PALNIKA D369/415/351 L778	1
	65312083	СОПЛО ГОРЕЛКИ D369/415/351 L918 BRÜLÖR BORUSU D369/415/351 L918	TUBO DO QUEIMADOR D369/415/351 L918	RURA PALNIKA D369/415/351 L918	1
	65312084	СОПЛО ГОРЕЛКИ D431,5/373 L408 BRÜLÖR BORUSU D431,5/373 L408	TUBO DO QUEIMADOR D431,5/373 L408	RURA PALNIKA D431,5/373 L408	1
	65312085	СОПЛО ГОРЕЛКИ D431,5/373 L558 BRÜLÖR BORUSU D431,5/373 L558	TUBO DO QUEIMADOR D431,5/373 L558	RURA PALNIKA D431,5/373 L558	1

		RU		PT		PL		X
		TR						
	65312086	СОПЛО ГОРЕЛКИ D431,5/373 L708 BRÜLÖR BORUSU D431,5/373 L708		TUBO DO QUEIMADOR D431,5/373 L708		RURA PALNIKA D431,5/373 L708		1
2110	65311881	ДЕФЛЕКТОР D330/74 BEF.230MM DEFLEKTOR D330/74 BEF.230MM		DEFLECTOR D330/74 BEF.230MM		DEFLEKTOR D330/74 BEF.230MM		1
	65312087	ДЕФЛЕКТОР D320/74X67 20SL DEFLEKTOR D320/74X67 20SL		DEFLECTOR D320/74X67 20SL		DEFLEKTOR D320/74X67 20SL		1
	65312088	ДЕФЛЕКТОР D300/74X67 20SL DEFLEKTOR D300/74X67 20SL		DEFLECTOR D300/74X67 20SL		DEFLEKTOR D300/74X67 20SL		1
2120	65312089	ГАЗОВЫЕ ДИФФУЗОРЫ СТАБИЛИЗАЦИЯ D=13 STABILIZASYON GAZ DIFÜZÖRLER D=13		DIFUSOR GAS DE ESTABILIZAÇÃO D=13		DYSZ GAZU STABILIZACJA D=13		1
2130	65312090	ГАЗОВЫЕ ДИФФУЗОРЫ УГЛОВАЯ D=20 AÇISAL GAZ DIFÜZÖRLER D=20		DIFUSOR GAS ANGULAR D=20		KAŤOWE DYSZ GAZU D=20		1
	65312091	ГАЗОВЫЕ ДИФФУЗОРЫ УГЛОВАЯ D=22 AÇISAL GAZ DIFÜZÖRLER D=22		DIFUSOR GAS ANGULAR D=22		KAŤOWE DYSZ GAZU D=22		1
2145	65312094	ЗАТВОР ТРУБКА ГАЗОВЫЕ D30 GAZ TUPLU TAPA D30		OBTURADOR TUBO GAS D30		MIGAWKA BORUSU GAZOWY D30		1
2150	65311710	ТРУБКА ГАЗОВЫЕ D35X2,2X360 GRL. GAZ TUPLU D35X2,2X360 GRL.		TUBO GAS D35X2,2X360 GRL.		BORUSU GAZOWY D35X2,2X360 GRL.		1
	65312092	ГАЗОВЫЕ ДИФФУЗОРЫ УГЛОВАЯ D35/24X56/245 AÇISAL GAZ DIFÜZÖRLER D35/24X56/245		DIFUSOR GAS ANGULAR D35/24X56/245		KAŤOWE DYSZ GAZU D35/24X56/245		1
	65312093	ГАЗОВЫЕ ДИФФУЗОРЫ УГЛОВАЯ D35/27X35/245 AÇISAL GAZ DIFÜZÖRLER D35/27X35/245		DIFUSOR GAS ANGULAR D35/27X35/245		KAŤOWE DYSZ GAZU D35/27X35/245		1
	65312095	ТРУБКА ГАЗОВЫЕ D35X2,2X300 GAZ TUPLU D35X2,2X300		TUBO GAS D35X2,2X300		BORUSU GAZOWY D35X2,2X300		1
2160	65311702	ТРУБКА ГАЗОВЫЕ D35X2,2X360 GAZ TUPLU D35X2,2X360		TUBO GAS D35X2,2X360		BORUSU GAZOWY D35X2,2X360		1
	65311882	ТРУБКА ГАЗОВЫЕ D35X2,2X257 РЕГУЛИРУЕМЫЙ GAZ TUPLU D35X2,2X257 AYARLANABILIR		TUBO GAS D35X2,2X257 AJUSTÁVEL		BORUSU GAZOWY D35X2,2X257 NASTAWNY		1
2170	65311683	ГАЗОВЫЕ ДИФФУЗОРЫ D30x2/D12x1,5 GAZ DIFÜZÖERÜ D30x2/D12x1,5		BICO DE GÁS D30x2/D12x1,5		DYSZA GAZU D30x2/D12x1,5		1
	65312096	ГАЗОВЫЕ ДИФФУЗОРЫ D30X2/10X1,5X103 GAZ DIFÜZÖRLER D30X2/10X1,5X103		DIFUSOR GAS D30X2/10X1,5X103		DYSZ GAZU D30X2/10X1,5X103		1
2171	65312013	ГАЗОВЫЕ ДИФФУЗОРЫ D30X2/D12X1 L73 GAZ DIFÜZÖRLER D30X2/D12X1 L73		DIFUSOR GAS D30X2/D12X1 L73		DYSZ GAZU D30X2/D12X1 L73		1
2180	65311712	ГАЗОВЫЙ ТРУБКА D35X2,2X45GR. GAZ TUPLU D35X2,2X45GR.		TUBO GAS D35X2,2X45GR.		BORUSU GAZOWY D35X2,2X45GR.		1
	65312097	ТРУБКА ГАЗОВЫЕ D35X2,2X220/50 GAZ TUPLU D35X2,2X220/50		TUBO GAS D35X2,2X220/50		BORUSU GAZOWY D35X2,2X220/50		1
	65312098	ТРУБКА ГАЗОВЫЕ D35X2,2X100/35 GAZ TUPLU D35X2,2X100/35		TUBO GAS D35X2,2X100/35		BORUSU GAZOWY D35X2,2X100/35		1
2200	1728777751	КАБЕЛЬ РОЗЖИГА D6,4/D6,4 L1500 AP ATEŞLEME KABLOSU D6,4/D6,4 L1500 AP		CABO ENCENDIDO D6,4/D6,4 L1500 AP		PRZEWÓD ALU. D6,4/D6,4 L1500 AP		1
2201	65310724	КАБЕЛЬ РОЗЖИГА D4/SAT 72750 ATEŞLEME KABLOSU D4/SAT 72750		CABO ENCENDIDO D4/SAT 72750		PRZEWÓD ALU. D4/SAT 72750		1
2210	65311662	ДЕРЖАТЕЛЬ ЭЛЕКТРОД DESTEĞİ ELEKTROD		SUPORTE ELETRODO		WSPORNIK ELEKTRODA		1
2230	65311690	ЭЛЕКТРОД ЗАЖИ. D11X100 D6,4 D2,5X150 45° ATEŞLEYİCİ ELEKT.D11X100D6,4D2,5X150 45°		ELETRODO ENC. D11X100 D6,4 D2,5X150 45°		ELEKTRODA ALU. D11X100 D6,4 D2,5X150 45°		1
	65313846	ЭЛЕКТРОД ЗАЖИ. D11X100D6,4D2,5X150 27/90° ATEŞLEYİCİ EL.D11X100D6,4D2,5X150 27/90°		ELETRODO ENC. D11X100D6,4D2,5X150 27/90°		ELEKTRODA ALU.D11X100D6,4D2,5X150 27/90°		1
2250	65311713	ПРОКЛАДКА/OVAL ФЛАНЕЦ 210X160X2 D116 CONTASI/OVAL FLANŞI 210X160X2 D116		GAXETA/OVAL FLANGE 210X160X2 D116		USZCZELKA/OVAL KOŁNIERZ 210X160X2 D116		1
2260	65312022	ЦЕНТРИРОВАНИЯ СТОЛБ N8/EKEVO8 MERKEZLEME AYAĞI N8/EKEVO8		PILAR DE CENTRAGEM N8/EKEVO8		CENTROWANIE FILAR N8/EKEVO8		1
	65312023	ЦЕНТРИРОВАНИЯ СТОЛБ N9/EKEVO9 MERKEZLEME AYAĞI N9/EKEVO9		PILAR DE CENTRAGEM N9/EKEVO9		CENTROWANIE FILAR N9/EKEVO9		1
2320	65312099	ЦЕНТРИРОВАНИЕ ЛИНИЯ ФОРСУНКИ DM35 MERKEZLEME PÜSKÜRTME MEMESİ HATTI DM35		CIMBRE LÍNEA DE BOQUILLA DM35		KRAŻYNA UKŁAD DYSZY DM35		1
2330	65312100	ДЕРЖАТЕЛЬ ЦЕНТРИРОВАНИЯ СТОЛБ DESTEĞİ MERKEZLEME AYAĞI		SUPORTE PILAR DE CENTRAGEM		WSPORNIK CENTROWANIE FILAR		1
2350	1728703262	ЭЛЕКТРОД ЗАЖИ. D11X220D3X150 20° L150 D4 ATEŞLEYİCİ.ELEKT.D11X220D3X150 20° L150 D4		ELETRODO ENC. D11X220 D3X150 20° L150 D4		ELEKTROD.ALU. D11X220 D3X150 20° L150 D4		1
2360	65312141	ЦЕНТРИРУЮЩЕЕ КОЛЬЦО MERKEZLEME HALKASI		ANEL DE CENTRAGEM		PIERŚCIEŃ CENTRUJĄCY		1
2380	65310280	ЛИНИЯ ФОРСУНКИ RDG1250 L860 PÜSKÜRTME MEMESİ HATTI RDG1250 L860		LÍNEA DE BOQUILLA RDG1250 L860		UKŁAD DYSZY RDG1250 L860		1
	65311817	ЛИНИЯ ФОРСУНКИ RDG1250 L760 PÜSKÜRTME MEMESİ HATTI RDG1250 L760		LÍNEA DE BOQUILLA RDG1250 L760		UKŁAD DYSZY RDG1250 L760		1
	65311818	ЛИНИЯ ФОРСУНКИ RDG1250 L960 PÜSKÜRTME MEMESİ HATTI RDG1250 L960		LÍNEA DE BOQUILLA RDG1250 L960		UKŁAD DYSZY RDG1250 L960		1
	65311884	ЛИНИЯ ФОРСУНКИ RDG1250 L660 PÜSKÜRTME MEMESİ HATTI RDG1250 L660		LÍNEA DE BOQUILLA RDG1250 L660		UKŁAD DYSZY RDG1250 L660		1

					
	65312102	ЛИНИЯ ФОРСУНКИ RDG1250 L560 PÜSKÜRTME MEMESİ HATTI RDG1250 L560	LÍNEA DE BOQUILLA RDG1250 L560	UKŁAD DYSZY RDG1250 L560	1
2490	65311435	ШЛАНГ DN16 L500 ESNEK DN16 L500	FLEXIVEL DN16 L500	PRZEWÓD GIĘTKI DN16 L500	1
2510	1218795344	ЭЛЕКТРОДВИГ. 3KW 230/400V D28 1400 T.GMP MOTORU 3KW 230/400V D28 1400 TR/MN GMP	MOTOR 3KW 230/400V D28 1400 TR/MN GMP	SILNIK 3KW 230/400V D28 1400 TR/MN GMP	1
	65312104	ЭЛЕКТРОДВИГ. 4KW 400/690V D28 1400 T.GMP MOTORU 4KW 400/690V D28 1400 TR/MN GMP	MOTOR 4KW 400/690V D28 1400 TR/MN GMP	SILNIK 4KW 400/690V D28 1400 TR/MN GMP	1
2520	65312206	РЕЛЕ ДАВ. ВОЗДУХА DSB 158 F931 3-25BAR YAKIT BASINÇ ŞALT. DSB 158 F931 3-25BAR	PRESSOSTATO FUEL DSB 158 F931 3-25BAR	CZUJNIK CIŚ. OLEJU OP.DSB158 F931 3-25BAR	1
2525	65311615	РАЗЪЕМ GDMW 30-11 DF PRIZ GDMW 30-11 DF	TOMADA GDMW 30-11 DF	GNIAZDO GDMW 30-11 DF	1
2526	65311616	ПРОКЛАДКА GDM 3-21 CONTASI GDM 3-21	GAXETA GDM 3-21	USZCZELKA GDM 3-21	1
2550	65311650	СЕРВОДВИГАТЕ. STE4,5 Q3.51/6 3NM R (BT3XX) SERVOMOTOR STE4,5 Q3.51/6 3NM R (BT3XX)	SERVOMOTOR STE4,5 Q3.51/6 3NM R (BT3XX)	SERWOMOTOR STE4,5 Q3.51/6 3NM R (BT3XX)	1
2555	65311831	ПРОКЛАДОЧНОЕ КОЛЬЦО M6/M8X42 SW15 PASPAYI M6/M8X42 SW15	ESPAÇADOR M6/M8X42 SW15	ROZPÓRKA M6/M8X42 SW15	1
2560	65312938	T-ШТУЦЕР P-TV18/18/10L T-RAKOR P-TV18/18/10L	UNIÃO EM T P-TV18/18/10L	T-ZŁĄCZE P-TV18/18/10L	1
2561	65313847	T-ШТУЦЕР P-ELV18L-SV T-RAKOR P-ELV18L-SV	UNIÃO EM T P-ELV18L-SV	T-ZŁĄCZE P-ELV18L-SV	1
2562	65313847	T-ШТУЦЕР P-ELV18L-SV T-RAKOR P-ELV18L-SV	UNIÃO EM T P-ELV18L-SV	T-ZŁĄCZE P-ELV18L-SV	1
2570	65312935	СЦЕПЛЕНИЕ D10/D8X38-90 KAPLİN D10/D8X38-90	ACOPLAMENTO D10/D8X38-90	ŁĄCZNIK D10/D8X38-90	1
2580	65311412	ПЛАСТИНА СЕРВОДВИГАТЕЛЯ STE SERVOMOTOR STE PLAKA	PRATO DO SERVOMOTOR STE	PŁYTA SERWOMOTOR STE	1
2600	65312284	МОНТ.ВОЖДЕ.ГИДРАВ.БЛОК N8/9&EKEVO8/9E BT HIDROL.ÜNİT.DÜZE.SÜRME N8/9&EKEVO8/9E BT	MONT.CONDUÇ. UNID. HIDR. N8/9&EKEVO8/9E BT	MONT.SZKOL.AGREG.HYDR. N8/9&EKEVO8/9E BT	1
2610	65311414	T-ШТУЦЕР R1Z (ФИЛЬТР) OVE T-RAKOR R1Z (FILTRE) OVE	UNIÃO EM T R1Z (FILTRO) OVE	T-ZŁĄCZE R1Z (FILTR) OVE	1
	65311578	T-ШТУЦЕР R3/4Z (ФИЛЬТР) OVE T-RAKOR R3/4Z (FILTRE) OVE	UNIÃO EM T R3/4Z (FILTRO) OVE	T-ZŁĄCZE R3/4Z (FILTR) OVE	1
2700	65311410	НАСОС VBHRG I 410 SO 1700L/H POMPA VBHRG I 410 SO 1700L/H	BOMBA VBHRG I 410 SO 1700L/H	POMPA VBHRG I 410 SO 1700L/H	1
	65312105	НАСОС VBHRG 2200L/H POMPA VBHRG 2200L/H	BOMBA VBHRG 2200L/H	POMPA VBHRG 2200L/H	1
2705	13022666	ЭЛЕКТРОКЛАПАН LUC 321F2523 P8 PG11 19W ELECTROVANA LUC 321F2523 P8 PG11 19W	ELECTROVALVULA LUC 321F2523 P8 PG11 19W	ELEKTROZAWOR LUC 321F2523 P8 PG11 19W	1
2710	13022667	ЭЛЕКТРОКЛАПАН LUC 121F2523 P8 PG11 19W ELECTROVANA LUC 121F2523 P8 PG11 19W	ELECTROVALVULA LUC 121F2523 P8 PG11 19W	ELEKTROZAWOR LUC 121F2523 P8 PG11 19W	1
2750	13019342	ШЛАНГ M30X1,5 DN20 L=1500 ESNEK M30X1,5 DN20 L=1500	FLEXIVEL M30X1,5 DN20 L=1500	PRZEWÓD GIĘTKI M30X1,5 DN20 L=1500	1
	1488436955	ШЛАНГ M38X1,5 DN25 L=1500 ESNEK M38X1,5 DN25 L=1500	FLEXIVEL M38X1,5 DN25 L=1500	PRZEWÓD GIĘTKI M38X1,5 DN25 L=1500	1
2800	65312285	РЕГУЛЯТОРА ДЕРЕВО 8.0 (CCW) GR.2 AĞAÇ DÜZENLEMESİ 8.0 (CCW) GR.2	VEIO DE REGULAÇÃO 8.0 (CCW) GR.2	DRZEWO REGULACJA 8.0 (CCW) GR.2	1
	65312292	РЕГУЛЯТОРА ДЕРЕВО 7.0 (CCW) GR.2 AĞAÇ DÜZENLEMESİ 7.0 (CCW) GR.2	VEIO DE REGULAÇÃO 7.0 (CCW) GR.2	DRZEWO REGULACJA 7.0 (CCW) GR.2	1
	65312304	РЕГУЛЯТОРА ДЕРЕВО 7.0 (CCW) AĞAÇ DÜZENLEMESİ 7.0 (CCW)	VEIO DE REGULAÇÃO 7.0 (CCW)	DRZEWO REGULACJA 7.0 (CCW)	1
	65312305	РЕГУЛЯТОРА ДЕРЕВО 8.0 (CCW) AĞAÇ DÜZENLEMESİ 8.0 (CCW)	VEIO DE REGULAÇÃO 8.0 (CCW)	DRZEWO REGULACJA 8.0 (CCW)	1
2810	65311406	НАСОСНЫЙ АГРЕГА. SMG1630-I-4-SO-IE2 30BAR POMPA ÜNİTESİ SMG1630-I-4-SO-IE2 30BAR	GRUPO DE BOMBA SMG1630-I-4-SO-IE2 30BAR	AGREGAT POMPY SMG1630-I-4-SO-IE2 30BAR	1
	65312103	НАСОСНЫЙ АГРЕГА. SMG1631-I-4-SO-IE2 30BAR POMPA ÜNİTESİ SMG1631-I-4-SO-IE2 30BAR	GRUPO DE BOMBA SMG1631-I-4-SO-IE2 30BAR	AGREGAT POMPY SMG1631-I-4-SO-IE2 30BAR	1
3005	65311613	ПРОКЛАДКА/GASTRAIN D162/115X2 DN100 CONTASI/GASTRAIN D162/115X2 DN100	GAXETA/GASTRAIN D162/115X2 DN100	USZCZELKA/GASTRAIN D162/115X2 DN100	1
3010	65311678	КОЛЛЕКТОР DN100-R2Z 2G1/4 PN16 MANIFOLD DN100-R2Z 2G1/4 PN16	COLETOR DN100-R2Z 2G1/4 PN16	KOLEKTOR DN100-R2Z 2G1/4 PN16	1
3020	65311606	ПРЯМОЙ ШТУЦЕР P-GEV 8LR-WD-VI SAĞ RAKOR P-GEV 8LR-WD-VI	UNIÃO DIREITA P-GEV 8LR-WD-VI	ZŁĄCZE PRAWE P-GEV 8LR-WD-VI	1
3030	65311604	УГЛОВОЙ ШТУЦЕР P-EWV 8-L DIRSEKLI RAKOR P-EWV 8-L	UNIÃO COTOVELO P-EWV 8-L	ZŁĄCZKA TYPU KOLANKO P-EWV 8-L	1
3040	65311579	ШТУЦЕР ОТБОРА ДАВЛЕНИЯ R1/4Z+УПЛОТ. BASINÇ GİRİŞİ R1/4Z+CONTA	TOMADA DE PRESSÃO R1/4Z+JUNTA	GNAZ. POMIARU CIŚNIEN. R1/4Z+USZCZEL	1
3060	65311581	ГАЗОВЫЙ КЛАПАН VGD20 5011 RP2" GAZ VANASI VGD20 5011 RP2"	VALVULA GAS VGD20 5011 RP2"	ZAWÓR GAZOWY VGD20 5011 RP2"	1
3070	65107100	СЕРВОДВИГАТЕЛЬ SKP25.003 E2 БЕЗ КОНЦЕВЫ SERVOMOTOR SKP 25.003 E2 LIMIT ANAHTAR	SERVOMOT. GÁS SKP25.003 E2 SEM FIM CURSO	SERWOSILNIK SKP25.003E2 BEZ WYŁĄCZNIKI	1

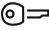


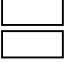
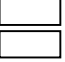

☞	XXXXXXXX	RU	PT	PL	X
		TR			
3080	65311585	КАБЕЛЬ CONNECT AGA 62 PLUG DIN L270 KABLOSU CONNECT AGA 62 PLUG DIN L270	CABO CONNECT AGA 62 TOMADA DIN L270	PRZEWÓD CONNECT AGA 62 PLUG DIN L270	1
3090	1478836180	СЕРВОДВИГАТЕЛЬ SKP15.000E2 БЕЗ КОНЦЕВЫ SERVOMOTOR SKP15.000E2 LIMIT ANAHTAR	SERVOMOTOR GAS SKP15.000E2 SEM FIM CURSA	SERWOSILNIK SKP15.000E2 BEZ WYŁĄCZNIKI	1
3110	65311377	ФЛАНЕЦ AGF10.50 RP2 FLANŞI AGF10.50 RP2	FLANGE AGF10.50 RP2	KOŁNIERZ AGF10.50 RP2	1
3120	65310852	РЕЛЕ ДАВ. ВОЗДУХА GW 500 A5 30-500MB GAZ BASINÇ ŞALT. GW 500 A5 30-500MB	PRESSOSTATO GÁS GW 500 A5 30-500MB	CZUJNIK CIŚ. GAZU GW 500 A5 30-500MB	1
	65323022	РЕЛЕ ДАВ. ВОЗДУХА GW 150 A6 10-150MB GAZ BASINÇ ŞALT. GW 150 A6 10-150MB	PRESSOSTATO GAS GW 150 A6 10-150MB	CZUJNIK CIŚ. GAZU GW 150 A6 10-150MB	1
3130	65311586	ГНЕЗДОВОЙ РАЗЪЕМ AGA64 DIŞI PRIZ AGA64	TOMADA FÊMEA AGA64	GNIAZDO AGA64	1
3140	65311615	РАЗЪЕМ GDMW 30-11 DF PRIZ GDMW 30-11 DF	TOMADA GDMW 30-11 DF	GNIAZDO GDMW 30-11 DF	1
3300	65311459	ГАЗОВЫЙ ФИЛЬТР GF80M-1616-A-1 RP2 1BAR GAZ FILTR. GF80M-1616-A-1 RP2 1BAR	FILTRO GÁS GF80M-1616-A-1 RP2 1BAR	FILTR GAZU GF80M-1616-A-1 RP2 1BAR	1
3301	65311361	ФИЛЬТРУЮЩИЙ ЭЛЕМЕНТ GF 80M FILTRE ELEMANI GF 80M	ELEMENTO FILTRANTE GF 80M	WKŁAD FILTRA GF 80M	1
3505	65311613	ПРОКЛАДКА/GASTRAIN D162/115X2 DN100 CONTASI/GASTRAIN D162/115X2 DN100	GAXETA/GASTRAIN D162/115X2 DN100	USZCZELKA/GASTRAIN D162/115X2 DN100	1
3510	65311973	КОЛЛЕКТОР DN100 / R2 MANIFOLD DN100 / R2	COLETOR DN100 / R2	KOLEKTOR DN100 / R2	1
3580	65311840	ГАЗОВЫЙ КЛАПАН MBC1200SES82RP2" 5-80MB GAZ VANA. MBC1200 SE S82 RP2" 5-80 MB	VÁLVULA GÁS MBC1200 SE S82 RP2" 5-80MBA	ZAWÓR GAZ. MBC1200SES82 RP2" 5-80MB	1
3620	65313022	ФЛАНЕЦ MBC700/1200 RP2 FLANŞI MBC700/1200 RP2	FLANGE MBC700/1200 RP2	KOŁNIERZ MBC700/1200 RP2	1
3640	65310852	РЕЛЕ ДАВ. ВОЗДУХА GW 500 A5 30-500MB GAZ BASINÇ ŞALT. GW 500 A5 30-500MB	PRESSOSTATO GÁS GW 500 A5 30-500MB	CZUJNIK CIŚ. GAZU GW 500 A5 30-500MB	1
	65311598	РЕЛЕ ДАВ. ВОЗДУХА GW 150 A5 30-150MB GAZ BASINÇ ŞALT. GW 150 A5 30-150MB	PRESSOSTATO GAS GW 150 A5 30-150MB	CZUJNIK CIŚ. GAZU GW 150 A5 30-150MB	1
3650	65311615	РАЗЪЕМ GDMW 30-11 DF PRIZ GDMW 30-11 DF	TOMADA GDMW 30-11 DF	GNIAZDO GDMW 30-11 DF	1
3700	13022417	СЕТЧАТЫЙ ФИЛЬТР/ГАЗОВЫЙ КЛАП. MBC1200 FILTRE SÜZGECI/GAZ VANASI MBC1200	ELEMENTO FILTRANTEVÁLVULA GÁS MBC1200	FILTR SITOWY/ZAWÓR GAZOWY MBC1200	1
3800	65311459	ГАЗОВЫЙ ФИЛЬТР GF80M-1616-A-1 RP2 1BAR GAZ FILTR. GF80M-1616-A-1 RP2 1BAR	FILTRO GÁS GF80M-1616-A-1 RP2 1BAR	FILTR GAZU GF80M-1616-A-1 RP2 1BAR	1
3801	65311361	ФИЛЬТРУЮЩИЙ ЭЛЕМЕНТ GF 80M FILTRE ELEMANI GF 80M	ELEMENTO FILTRANTE GF 80M	WKŁAD FILTRA GF 80M	1
4005	65311613	ПРОКЛАДКА/GASTRAIN D162/115X2 DN100 CONTASI/GASTRAIN D162/115X2 DN100	GAXETA/GASTRAIN D162/115X2 DN100	USZCZELKA/GASTRAIN D162/115X2 DN100	1
4010	65311674	КОЛЛЕКТОР DN100/DN65 MANIFOLD DN100/DN65	COLETOR DN100/DN65	KOLEKTOR DN100/DN65	1
	65311675	КОЛЛЕКТОР DN100-DN80 PN16 MANIFOLD DN100-DN80 PN16	COLETOR DN100-DN80 PN16	KOLEKTOR DN100-DN80 PN16	1
	65311676	КОЛЛЕКТОР DN100/DN100 MANIFOLD DN100/DN100	COLETOR DN100/DN100	KOLEKTOR DN100/DN100	1
	65311677	КОЛЛЕКТОР DN100/DN125 MANIFOLD DN100/DN125	COLETOR DN100/DN125	KOLEKTOR DN100/DN125	1
4020	65311601	ПРЯМОЙ ШТУЦЕР P-EGES 12L/R 1/4WD SAĞ RAKOR P-EGES 12L/R 1/4WD	CONEXÃO DIREITA P-EGES 12L/R 1/4WD	ZŁĄCZE PRAWIE P-EGES 12L/R 1/4WD	1
4030	65311608	ШТУЦЕР (ЛОКОТЬ) P-EWV12L-SV RAKOR (DIRSEK) P-EWV12L-SV	UNIÃO (COTOVELO) P-EWV12L-SV	ZŁĄCZE (ŁOKIEC) P-EWV12L-SV	1
4040	65311605	ШТУЦЕР P-KV12L RAKOR P-KV12L	CONEXÃO P-KV12L	ZŁĄCZE P-KV12L	1
4060	65311607	КРЫШКА VSD 12L/S O.M.MB. TAPA VSD 12L/S O.M.MB.	TAMPA VSD 12L/S O.M.MB.	NAKRĘTKA VSD 12L/S O.M.MB.	1
4070	65311601	ПРЯМОЙ ШТУЦЕР P-EGES 12L/R 1/4WD SAĞ RAKOR P-EGES 12L/R 1/4WD	CONEXÃO DIREITA P-EGES 12L/R 1/4WD	ZŁĄCZE PRAWIE P-EGES 12L/R 1/4WD	1
4080	65311453	ГАЗОВЫЙ КЛАПАН VGD40 125 DN125 GAZ VANASI VGD40 125 DN125	VALVULA GAS VGD40 125 DN125	ZAWÓR GAZOWY VGD40 125 DN125	1
	65311583	ГАЗОВЫЙ КЛАПАН VGD40 080 DN80 GAZ VANASI VGD40 080 DN80	VALVULA GAS VGD40 080 DN80	ZAWÓR GAZOWY VGD40 080 DN80	1
	65311590	ГАЗОВЫЙ КЛАПАН VGD40 100 DN100 GAZ VANASI VGD40 100 DN100	VALVULA GAS VGD40 100 DN100	ZAWÓR GAZOWY VGD40 100 DN100	1
	65323661	ГАЗОВЫЙ КЛАПАН VGD40 065 DN65 GAZ VANASI VGD40 065 DN65	VÁLVULA GÁS VGD40 065 DN65	ZAWÓR GAZOWY VGD40 065 DN65	1
4090	65107100	СЕРВОДВИГАТЕЛЬ SKP25.003 E2 БЕЗ КОНЦЕВЫ SERVOMOTOR SKP 25.003 E2 LIMIT ANAHTAR	SERVOMOT. GÁS SKP25.003 E2 SEM FIM CURSO	SERWOSILNIK SKP25.003E2 BEZ WYŁĄCZNIKI	1
4100	65311585	КАБЕЛЬ CONNECT AGA 62 PLUG DIN L270 KABLOSU CONNECT AGA 62 PLUG DIN L270	CABO CONNECT AGA 62 TOMADA DIN L270	PRZEWÓD CONNECT AGA 62 PLUG DIN L270	1
4110	1478836180	СЕРВОДВИГАТЕЛЬ SKP15.000E2 БЕЗ КОНЦЕВЫ SERVOMOTOR SKP15.000E2 LIMIT ANAHTAR	SERVOMOTOR GAS SKP15.000E2 SEM FIM CURSA	SERWOSILNIK SKP15.000E2 BEZ WYŁĄCZNIKI	1

					
4120	65311611	ПРОКЛАДКА/GASTRAIN D127/77X2 DN65 CONTASI/GASTRAIN D127/77X2 DN65	GAXETA/GASTRAIN D127/77X2 DN65	USZCZELKA/GASTRAIN D127/77X2 DN65	1
	65311612	ПРОКЛАДКА/GASTRAIN D142/90X2 DN80 CONTASI/GASTRAIN D142/90X2 DN80	GAXETA/GASTRAIN D142/90X2 DN80	USZCZELKA/GASTRAIN D142/90X2 DN80	1
	65311613	ПРОКЛАДКА/GASTRAIN D162/115X2 DN100 CONTASI/GASTRAIN D162/115X2 DN100	GAXETA/GASTRAIN D162/115X2 DN100	USZCZELKA/GASTRAIN D162/115X2 DN100	1
	65311614	ПРОКЛАДКА/GASTRAIN D192/141X2 DN125 CONTASI/GASTRAIN D192/141X2 DN125	GAXETA/GASTRAIN D192/141X2 DN125	USZCZELKA/GASTRAIN D192/141X2 DN125	1
4130	65311586	ГНЕЗДОВОЙ РАЗЪЕМ AGA64 DIŞI PRIZ AGA64	TOMADA FÊMEA AGA64	GNIAZDO AGA64	1
4140	65311615	РАЗЪЕМ GDMW 30-11 DF PRIZ GDMW 30-11 DF	TOMADA GDMW 30-11 DF	GNIAZDO GDMW 30-11 DF	1
4150	65310852	РЕЛЕ ДАВ. ВОЗДУХА GW 500 A5 30-500MB GAZ BASINÇ ŞALT. GW 500 A5 30-500MB	PRESSOSTATO GÁS GW 500 A5 30-500MB	CZUJNIK CIŚ. GAZU GW 500 A5 30-500MB	1
	65323022	РЕЛЕ ДАВ. ВОЗДУХА GW 150 A6 10-150MB GAZ BASINÇ ŞALT. GW 150 A6 10-150MB	PRESSOSTATO GAS GW 150 A6 10-150MB	CZUJNIK CIŚ. GAZU GW 150 A6 10-150MB	1
4300	65311460	ГАЗОВЫЙ ФИЛЬТР GF65MF-2020-A-1 DN65 1BAR GAZ FILTR. GF65MF-2020-A-1 DN65 1BAR	FILTRO GÁS GF65MF-2020-A-1 DN65 1BAR	FILTR GAZU GF65MF-2020-A-1 DN65 1BAR	1
	65311461	ГАЗОВЫЙ ФИЛЬТР GF80MF-2424-A-1 DN80 1BAR GAZ FILTR. GF80MF-2424-A-1 DN80 1BAR	FILTRO GÁS GF80MF-2424-A-1 DN80 1BAR	FILTR GAZU GF80MF-2424-A-1 DN80 1BAR	1
	65311462	ГАЗОВЫЙ ФИЛЬТР GF100MF-3232-A-1 DN100 1B GAZ FILTR. GF100MF-3232-A-1 DN100 1BAR	FILTRO GÁS GF100MF-3232-A-1 DN100 1BAR	FILTR GAZU GF100MF-3232-A-1 DN100 1BAR	1
	65311463	ГАЗОВЫЙ ФИЛЬТР GF125MF-4040-A-1 DN125 1B GAZ FILTR. GF125MF-4040-A-1 DN125 1BAR	FILTRO GÁS GF125MF-4040-A-1 DN125 1BAR	FILTR GAZU GF125MF-4040-A-1 DN125 1BAR	1
4301	65311723	ФИЛЬТРУЮЩИЙ ЭЛЕМЕНТ GF65MF FILTRE ELEMANI GF65MF	ELEMENTO FILTRANTE GF65MF	WKŁAD FILTRA GF65MF	1
	65311888	ФИЛЬТРУЮЩИЙ ЭЛЕМЕНТ GF80MF FILTRE ELEMANI GF80MF	ELEMENTO FILTRANTE GF80MF	WKŁAD FILTRA GF80MF	1
	65311889	ФИЛЬТРУЮЩИЙ ЭЛЕМЕНТ GF100MF FILTRE ELEMANI GF100MF	ELEMENTO FILTRANTE GF100MF	WKŁAD FILTRA GF100MF	1
	65311890	ФИЛЬТРУЮЩИЙ ЭЛЕМЕНТ GF125MF FILTRE ELEMANI GF125MF	ELEMENTO FILTRANTE GF125MF	WKŁAD FILTRA GF125MF	1
4505	65311613	ПРОКЛАДКА/GASTRAIN D162/115X2 DN100 CONTASI/GASTRAIN D162/115X2 DN100	GAXETA/GASTRAIN D162/115X2 DN100	USZCZELKA/GASTRAIN D162/115X2 DN100	1
4510	65311674	КОЛЛЕКТОР DN100/DN65 MANIFOLD DN100/DN65	COLETOR DN100/DN65	KOLEKTOR DN100/DN65	1
	65311675	КОЛЛЕКТОР DN100-DN80 PN16 MANIFOLD DN100-DN80 PN16	COLETOR DN100-DN80 PN16	KOLEKTOR DN100-DN80 PN16	1
	65311676	КОЛЛЕКТОР DN100/DN100 MANIFOLD DN100/DN100	COLETOR DN100/DN100	KOLEKTOR DN100/DN100	1
4520	65311601	ПРЯМОЙ ШТУЦЕР P-EGES 12L/R 1/4WD SAĞ RAKOR P-EGES 12L/R 1/4WD	CONEXÃO DIREITA P-EGES 12L/R 1/4WD	ZŁĄCZE PRAWO P-EGES 12L/R 1/4WD	1
4530	65311344	Т-ШТУЦЕР P-TV 12 L T-RAKOR P-TV 12 L	CONEXÃO EM T P-TV 12 L	T-ZŁĄCZKA P-TV 12 L	1
4560	65311607	КРЫШКА VSD 12L/S O.M.MB. TAPA VSD 12L/S O.M.MB.	TAMPA VSD 12L/S O.M.MB.	NAKRĘTKA VSD 12L/S O.M.MB.	1
4580	65311844	ГАЗОВЫЙ КЛАПАН MBC1900SEDN65 40-80MBAR GAZ VANASI MBC1900SE DN65 40-80 MBAR	VÁLVULA GÁS MBC1900SE DN65 40-80MBAR	ZAWÓR GAZ. MBC1900SE DN65 40-80 MBAR	1
	65311845	ГАЗОВЫЙ КЛАПАН MBC3100SE DN80 40-80MBAR GAZ VANASI MBC3100SE DN80 40-80 MBAR	VÁLVULA GÁS MBC3100 SE DN80 40-80 MBAR	ZAWÓR GAZ. MBC3100SE DN80 40-80 MBAR	1
	65311846	ГАЗОВЫЙ КЛАПАН MBC5000SE DN100 40-80MB GAZ VANASI MBC5000 SE DN100 40-80 MB	VÁLVULA GÁS MBC5000 SE DN100 40-80 MBAR	ZAWÓR GAZ.MBC5000SE DN100 40-80MBAR	1
4620	65311611	ПРОКЛАДКА/GASTRAIN D127/77X2 DN65 CONTASI/GASTRAIN D127/77X2 DN65	GAXETA/GASTRAIN D127/77X2 DN65	USZCZELKA/GASTRAIN D127/77X2 DN65	1
	65311612	ПРОКЛАДКА/GASTRAIN D142/90X2 DN80 CONTASI/GASTRAIN D142/90X2 DN80	GAXETA/GASTRAIN D142/90X2 DN80	USZCZELKA/GASTRAIN D142/90X2 DN80	1
	65311613	ПРОКЛАДКА/GASTRAIN D162/115X2 DN100 CONTASI/GASTRAIN D162/115X2 DN100	GAXETA/GASTRAIN D162/115X2 DN100	USZCZELKA/GASTRAIN D162/115X2 DN100	1
4640	65310852	РЕЛЕ ДАВ. ВОЗДУХА GW 500 A5 30-500MB GAZ BASINÇ ŞALT. GW 500 A5 30-500MB	PRESSOSTATO GÁS GW 500 A5 30-500MB	CZUJNIK CIŚ. GAZU GW 500 A5 30-500MB	1
	65323022	РЕЛЕ ДАВ. ВОЗДУХА GW 150 A6 10-150MB GAZ BASINÇ ŞALT. GW 150 A6 10-150MB	PRESSOSTATO GAS GW 150 A6 10-150MB	CZUJNIK CIŚ. GAZU GW 150 A6 10-150MB	1
4650	65311615	РАЗЪЕМ GDMW 30-11 DF PRIZ GDMW 30-11 DF	TOMADA GDMW 30-11 DF	GNIAZDO GDMW 30-11 DF	1
4800	65311460	ГАЗОВЫЙ ФИЛЬТР GF65MF-2020-A-1 DN65 1BAR GAZ FILTR. GF65MF-2020-A-1 DN65 1BAR	FILTRO GÁS GF65MF-2020-A-1 DN65 1BAR	FILTR GAZU GF65MF-2020-A-1 DN65 1BAR	1
	65311461	ГАЗОВЫЙ ФИЛЬТР GF80MF-2424-A-1 DN80 1BAR GAZ FILTR. GF80MF-2424-A-1 DN80 1BAR	FILTRO GÁS GF80MF-2424-A-1 DN80 1BAR	FILTR GAZU GF80MF-2424-A-1 DN80 1BAR	1
	65311462	ГАЗОВЫЙ ФИЛЬТР GF100MF-3232-A-1 DN100 1B GAZ FILTR. GF100MF-3232-A-1 DN100 1BAR	FILTRO GÁS GF100MF-3232-A-1 DN100 1BAR	FILTR GAZU GF100MF-3232-A-1 DN100 1BAR	1
4801	65311723	ФИЛЬТРУЮЩИЙ ЭЛЕМЕНТ GF65MF FILTRE ELEMANI GF65MF	ELEMENTO FILTRANTE GF65MF	WKŁAD FILTRA GF65MF	1

		RU		PT		PL		
		TR						
	65311888	ФИЛЬТРУЮЩИЙ ЭЛЕМЕНТ GF80MF FILTRE ELEMANI GF80MF		ELEMENTO FILTRANTE GF80MF		WKŁAD FILTRA GF80MF		1
	65311889	ФИЛЬТРУЮЩИЙ ЭЛЕМЕНТ GF100MF FILTRE ELEMANI GF100MF		ELEMENTO FILTRANTE GF100MF		WKŁAD FILTRA GF100MF		1
5001	1458645325	ФОРСУНКА BER 350KG 55° CBM PÜSK. MEMESI BER 350KG 55° CBM		BOQUILLA BER 350KG 55° CBM		DYSZA BER 350KG 55° CBM		1
	1458645347	ФОРСУНКА BER 400KG 55° CBM PÜSK. MEMESI BER 400KG 55° CBM		BOQUILLA BER 400KG 55° CBM		DYSZA BER 400KG 55° CBM		1
	1458645392	ФОРСУНКА BER 650KG 55° CBM PÜSK. MEMESI BER 650KG 55° CBM		BOQUILLA BER 650KG 55° CBM		DYSZA BER 650KG 55° CBM		1
	1458698846	ФОРСУНКА DZ1000 750KG 80° M14 1-5 PÜSK. MEMESI DZ1000 750KG 80° M14 1-5		BOQUILLA DZ1000 750KG 80° M14 1-5		DYSZA DZ1000 750KG 80° M14 1-5		1
	1458698891	ФОРСУНКА DZ1000 1000KG 80° M14 1-5 PÜSK. MEMESI DZ1000 1000KG 80° M14 1-5		BOQUILLA DZ1000 1000KG 80° M14 1-5		DYSZA DZ1000 1000KG 80° M14 1-5		1
	65311201	ФОРСУНКА DZ1000 950KG 80° M14 1-5 PÜSK. MEMESI DZ1000 950KG 80° M14 1-5		BOQUILLA DZ1000 950KG 80° M14 1-5		DYSZA DZ1000 950KG 80° M14 1-5		1
	65312421	ФОРСУНКА DZ1000 800KG 80° M14 1-5 PÜSK. MEMESI DZ1000 800KG 80° M14 1-5		BOQUILLA DZ1000 800KG 80° M14 1-5		DYSZA DZ1000 800KG 80° M14 1-5		1
	65313182	ФОРСУНКА BER 275KG 55° CBM PÜSK. MEMESI BER 275KG 55° CBM		BOQUILLA BER 275KG 55° CBM		DYSZA BER 275KG 55° CBM		1
	65313183	ФОРСУНКА BER 300KG 55° CBM PÜSK. MEMESI BER 300KG 55° CBM		BOQUILLA BER 300KG 55° CBM		DYSZA BER 300KG 55° CBM		1
	65313184	ФОРСУНКА BER 450KG 55° CBM PÜSK. MEMESI BER 450KG 55° CBM		BOQUILLA BER 450KG 55° CBM		DYSZA BER 450KG 55° CBM		1
	65313185	ФОРСУНКА BER 500KG 55° CBM PÜSK. MEMESI BER 500KG 55° CBM		BOQUILLA BER 500KG 55° CBM		DYSZA BER 500KG 55° CBM		1
	65313186	ФОРСУНКА BER 600KG 55° CBM PÜSK. MEMESI BER 600KG 55° CBM		BOQUILLA BER 600KG 55° CBM		DYSZA BER 600KG 55° CBM		1
	65313190	ФОРСУНКА DZ1000 900KG 80° M14 1-5 PÜSK. MEMESI DZ1000 900KG 80° M14 1-5		BOQUILLA DZ1000 900KG 80° M14 1-5		DYSZA DZ1000 900KG 80° M14 1-5		1
	65313851	ФОРСУНКА BER 550KG 55° CBM PÜSK. MEMESI BER 550KG 55° CBM		BOQUILLA BER 550KG 55° CBM		DYSZA BER 550KG 55° CBM		1
	65313852	ФОРСУНКА DZ1000 550KG 80° M14 1-5 PÜSK. MEMESI DZ1000 550KG 80° M14 1-5		BOQUILLA DZ1000 550KG 80° M14 1-5		DYSZA DZ1000 550KG 80° M14 1-5		1
	65313853	ФОРСУНКА DZ1000 700KG 80° M14 1-5 PÜSK. MEMESI DZ1000 700KG 80° M14 1-5		BOQUILLA DZ1000 700KG 80° M14 1-5		DYSZA DZ1000 700KG 80° M14 1-5		1
	65313854	ФОРСУНКА DZ1000 650KG 80° M14 1-5 PÜSK. MEMESI DZ1000 650KG 80° M14 1-5		BOQUILLA DZ1000 650KG 80° M14 1-5		DYSZA DZ1000 650KG 80° M14 1-5		1
	65313855	ФОРСУНКА DZ1000 850KG 80° M14 1-5 PÜSK. MEMESI DZ1000 850KG 80° M14 1-5		BOQUILLA DZ1000 850KG 80° M14 1-5		DYSZA DZ1000 850KG 80° M14 1-5		1
5002	65312447	БЛОК УПРАВЛЕНИЯ BT340 ОСН.НАСТР-КИ KUTU BT340 TEMEL AYARI		PROGRAMADOR BT340 CONFIGUR. BÁSICA		MODUŁ BT340 USTAWIENIE PODSTAWOWE		1
	65312450	БЛОК УПРА. BT340 ОПРЕДЕЛ. ПАРАМ. KUTU BT340 ÖZEL AYAR		PROGRAMADOR BT340 CONF. ESPECÍFICA		MODUŁ BT340 SPECYFICZNE USTAWIENIE		1
5010	65311362	ИСПЫТАТЕЛЬНАЯ ГОРЕЛКА С КНОПКОЙ PB2 BASMA DÜĞMESİ İLE BRÜLÖR TEST PB2		QUEIMADOR DE ENSAIO COM B. PRESSÃO PB2		PALNIK TEST Z PRZYCISKIEM PB2		1
5020	65311918	МОДУЛЬ VSM100 (LSB-M 667R0200-1) VSM100 MODÜLÜ (LSB-M 667R0200-1)		MÓDULO VSM100 (LSB-M 667R0200-1)		MODUL VSM100 (LSB-M 667R0200-1)		1
5025	65312275	КОНСОЛЬ LAM F152 659G0501 KONSOL LAM F152 659G0501		CONSOLE LAM F152 659G0501		KONSOLA LAM F152 659G0501		1
5035	65312550	ДАТЧИК NAMUR NI5-G12-Y1 SENSÖR NAMUR NI5-G12-Y1		SENSOR NAMUR NI5-G12-Y1		CZUJNIK NAMUR NI5-G12-Y1		1
5042	65311940	РЕЛЕ FIN 38.61.8.240.5060 KLL 1W FZ RÖLE FIN 38.61.8.240.5060 KLL 1W FZ		RELE FIN 38.61.8.240.5060 KLL 1W FZ		PRZEKAŹNIK FIN 38.61.8.240.5060 KLL 1WFZ		1
5100	65312292	РЕГУЛЯТОРА ДЕРЕВО 7.0 (CCW) GR.2 AĞAÇ DÜZENLEMESİ 7.0 (CCW) GR.2		VEIO DE REGULAÇÃO 7.0 (CCW) GR.2		DRZEWO REGULACJA 7.0 (CCW) GR.2		1
	65312293	РЕГУЛЯТОРА ДЕРЕВО 9.0 (CCW) GR.2 AĞAÇ DÜZENLEMESİ 9.0 (CCW) GR.2		VEIO DE REGULAÇÃO 9.0 (CCW) GR.2		DRZEWO REGULACJA 9.0 (CCW) GR.2		1
	65312302	РЕГУЛЯТОРА ДЕРЕВО 5.0 (CCW) AĞAÇ DÜZENLEMESİ 5.0 (CCW)		VEIO DE REGULAÇÃO 5.0 (CCW)		DRZEWO REGULACJA 5.0 (CCW)		1
	65312303	РЕГУЛЯТОРА ДЕРЕВО 6.0 (CCW) AĞAÇ DÜZENLEMESİ 6.0 (CCW)		VEIO DE REGULAÇÃO 6.0 (CCW)		DRZEWO REGULACJA 6.0 (CCW)		1
	65312304	РЕГУЛЯТОРА ДЕРЕВО 7.0 (CCW) AĞAÇ DÜZENLEMESİ 7.0 (CCW)		VEIO DE REGULAÇÃO 7.0 (CCW)		DRZEWO REGULACJA 7.0 (CCW)		1
	65312305	РЕГУЛЯТОРА ДЕРЕВО 8.0 (CCW) AĞAÇ DÜZENLEMESİ 8.0 (CCW)		VEIO DE REGULAÇÃO 8.0 (CCW)		DRZEWO REGULACJA 8.0 (CCW)		1
5300	65114033	РЕГУЛИРОВАНИЕ RWF 55.50A9 REGÜLATÖRÜ RWF 55.50A9		REGULADOR RWF 55.50A9		REGULATORA RWF 55.50A9		1
5500	65312274	ФОТОРЕЗИСТОР FFS08-UV1 659D31 - 5M W/O HÜCRE FFS08-UV1 659D31 - 5M W/O		FOTOCÉLULA FFS08-UV1 659D31 - 5M W/O		FOTOKOMÓRKA FFS08-UV1 659D31 - 5M W/O		1

CB-EKEVO8/9 GL-E

Dual-Fuel burner

К О Н Т А К Т Ы

Distributor in Russia "Teplopartner" LTD
Russia, Krasnodar city, Stasova street,184, office 4
Tel./fax.: 8 (861) 234 23 83, +7 (961) 854 41 24
www.gorelka-kotel.ru info@gorelka-kotel.ru