



SPARE PARTS EXPLODED VIEW GAS BURNERS

Model

CB-VG5DP (50/60Hz)

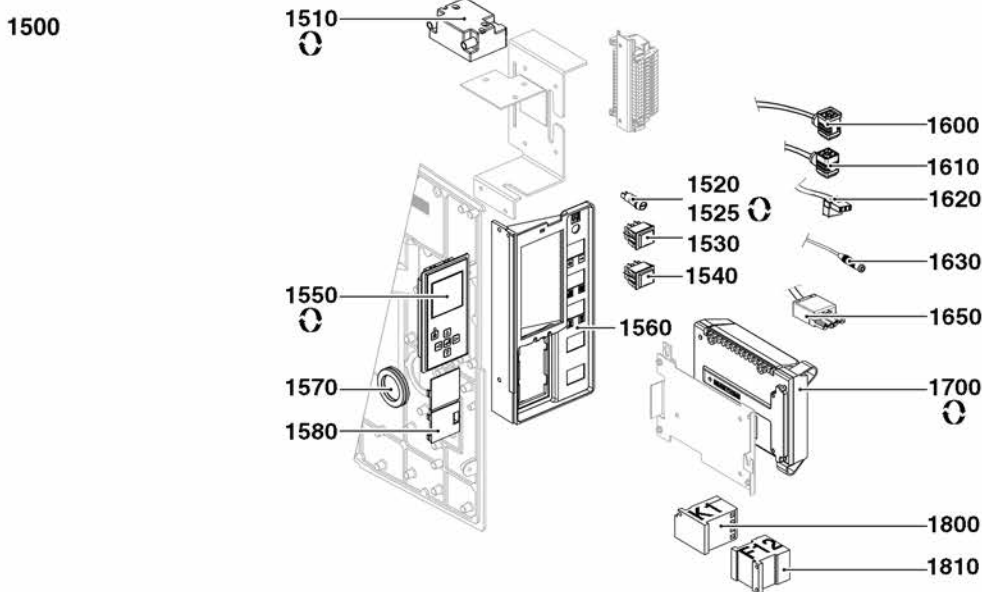
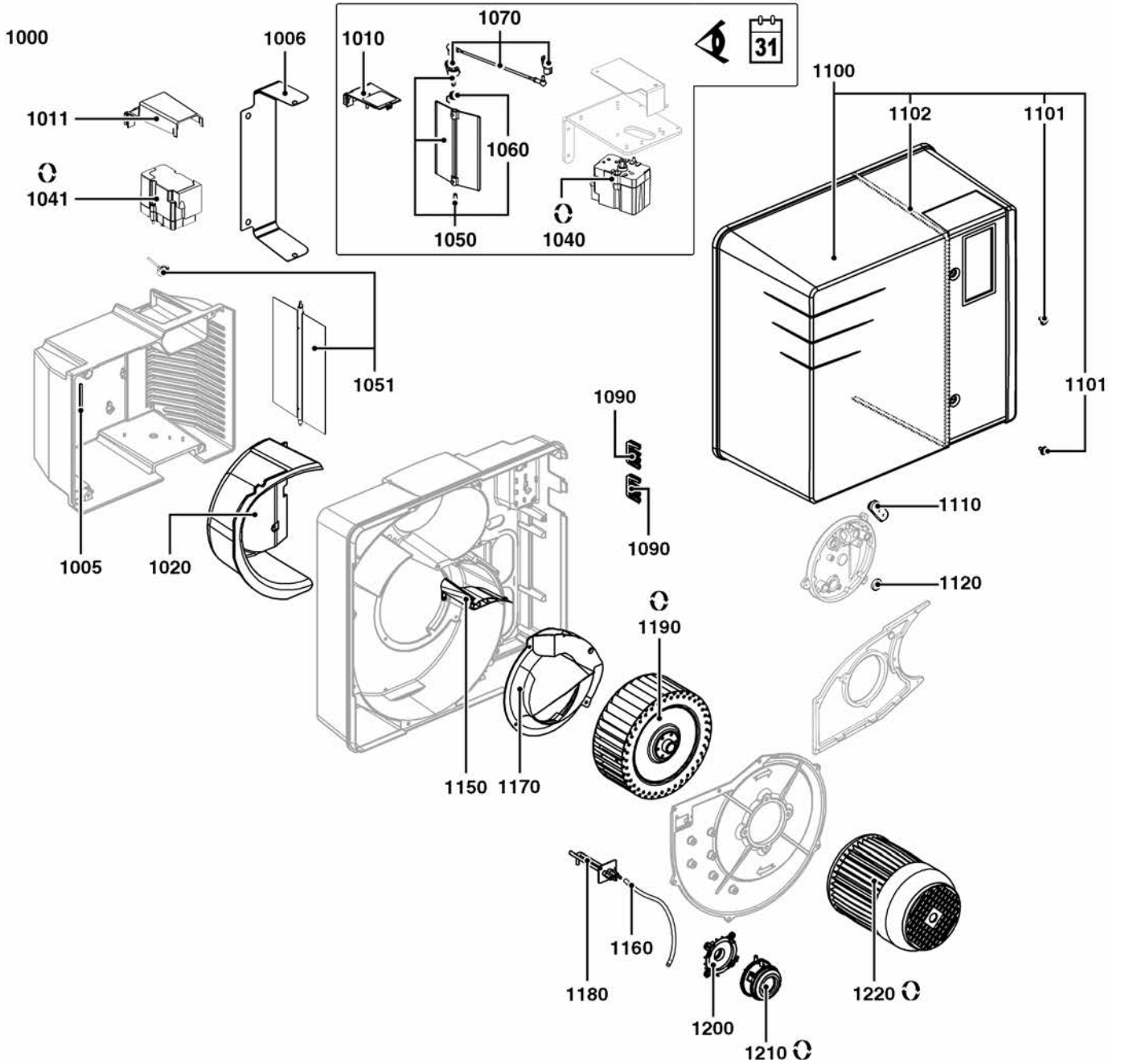
R8220065-04 - 01/07/2015

CB-VG5DP (50/60Hz)

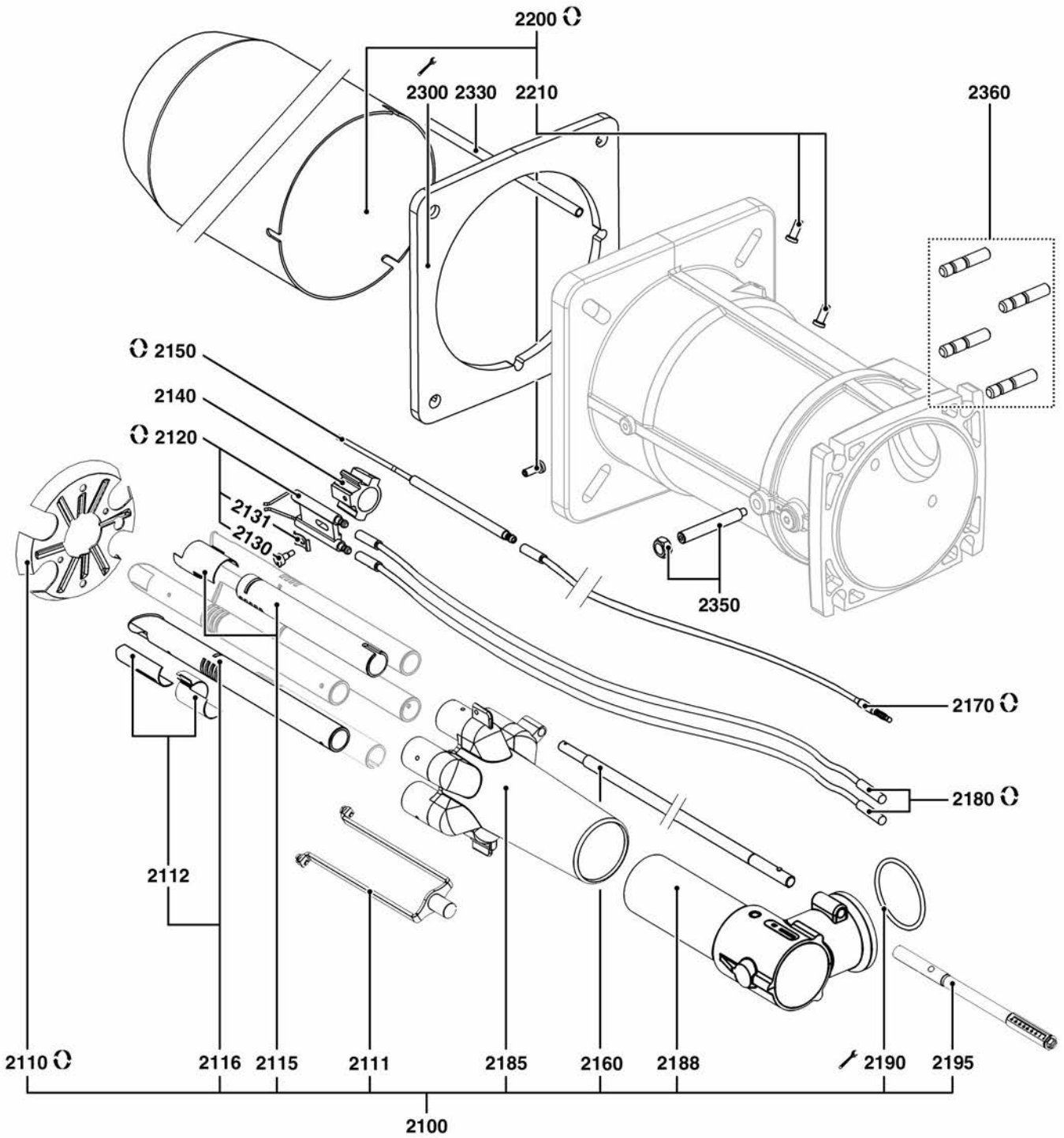
Gas burners

1	3833543	BB-VG5.950 DP	09-2011	-
2	3833952	BB-VG5.950 DP 60H	10-2012	-
3	3833542	BB-VG5.1200 DP	09-2011	-
4	3833953	BB-VG5.1200 DP 60H	02-2013	-
5	3833353	CH-G0631 - T1/KN	02-2011	-
6	3833469	CH-G0631 - T2/KL	02-2011	-
7	3833609	CH-G0631 - T3/KM	08-2012	-
8	3832064	GT-d311 - 3/4" - Rp1"	06-2010	-
9	3833474	GT-d331 - 1"1/4-Rp2"	01-2011	-
10	3833192	GT-d327 - 1"1/2-Rp2"	02-2011	-
11	3833482	GT-s313 - 2"-Rp2"	07-2012	-
12	3833483	GT-s314 - 65-DN65	07-2012	-

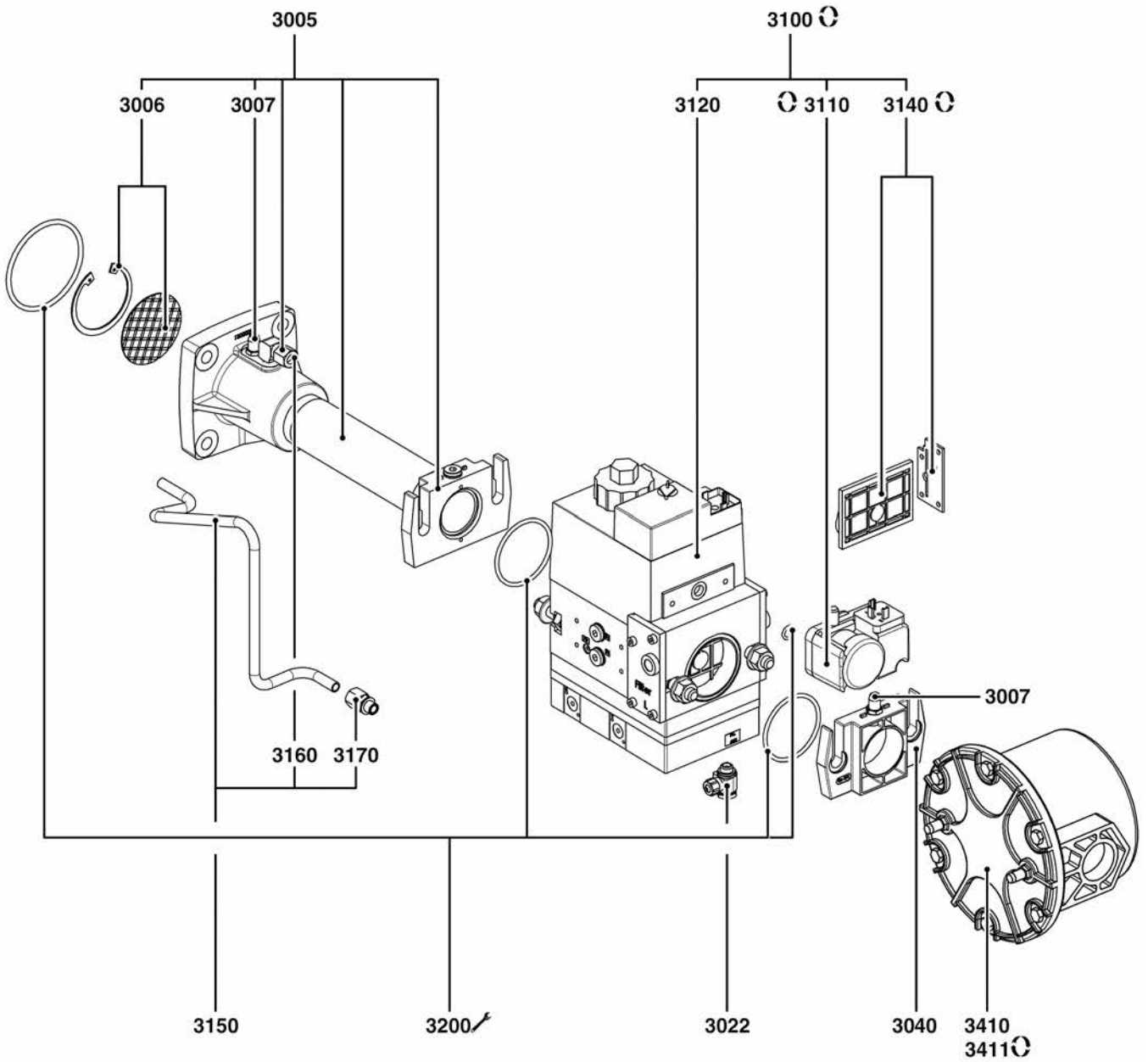
Col	Reference	Model type	Begin	End
-----	-----------	------------	-------	-----



☉	Description	Manf. Pt. N	Type	<div style="border: 1px solid black; padding: 2px; display: inline-block; transform: rotate(-15deg); font-size: 0.8em;"> BB-VG5-90 DP BB-VG6-90 DP 60H BB-VG6-1200 DP BB-VG6-1200 DP 60H CH-G0031 - T1KN CH-G0031 - T2KL GT-0011 - 3/4 - R07" GT-0031 - T11A-R02" GT-0031 - T11A-R02" GT-0031 - 2-R02" GT-0031 - 65-DN65 </div>																		From	to
				1	2	3	4	5	6	7	8	9	10	11	12	13	14	15	16	17	18		
1000	BURNER BODY																						
1005	AIR BOX GASKET	13009640		•	•	•	•													06/15			
1006	AIR GUIDING PIECE	65326224		•	•	•	•													06/15	05/15		
1010	AIR BOX COVER	13009642		•	•	•	•																
1011	ACTUATOR COVER	65326223		•	•	•	•													06/15			
1020	AIR BOX INSULATION	13009641		•	•	•	•																
1040	ACTUATOR STE 4,5 B037/6	65300527		•	•	•	•														05/15		
1041	ACTUATOR STE 4,5 B0.37/6-L	65326229		•	•	•	•													06/15			
1050	AIR FLAP WITH FITTINGS	13014117		•	•	•	•														05/15		
1051	AIR FLAP CPL.	65326225		•	•	•	•													06/15			
1060	AIR SPRING (GREY)	13011751		•	•	•	•														05/15		
1070	COUPLING CPL. L320/STE 4,5 B0	65301071		•	•	•	•														05/15		
1090	GROMMET/HOUSING	13016845		•	•	•	•																
1100	HOOD VECTRON5 AND V6+MOUNTING SCREW	65301016		•	•	•	•																
1101	FLAT HEAD SCREW M5X15	65300519		•	•	•	•																
1102	GASKET STRIP/COVER	13009772		•	•	•	•																
1110	CABLE GROMMET	13009648		•	•	•	•																
1120	INDICATOR LIGHT	13020327		•	•	•	•																
1150	AIR RECYCLING	65301017				•	•																
1160	HOSE D.4/7 LG. 500 MM	13015497		•	•	•	•																
1170	AIR RECIRCULATION (BLACK)	13009645				•	•																
	AIR RECIRCULATION (WHITE)	13009646		•																			
1180	DIFFERENTIAL PRESS. TAP (WHITE)	13009651		•	•	•	•																
1190	FAN WHEEL D215X82 d19	65300542				•	•																
	FAN WHEEL D240X82 d19	13009649		•		•																	
1200	AIR PRESSURE SWITCH BASE D32	13020723		•	•	•	•																
1210	AIR PRESSURE SWITCH 604 1-10MBAR	65300991		•	•																		
	AIR PRESSURE SWITCH HUBA 604 5-20MBAR	65301048				•	•																
1220	MOTOR 1.5KW230/400V D19 + PLUG	13009654		•	•	•	•																
1500	ELECTRIC PART																						
1510	IGNITER EBI 2X7.5 230V	13009663		•	•	•	•																
1520	FUSE HOLDER + FUSE 6.3A	13016457		•	•	•	•																
1525	FUSE 5X20 6.3A	13016028		•	•	•	•																
1530	OPERATING SWITCH ON/OFF	13010007		•	•	•	•																
1540	OPERATING SWITCH - OPERATION	13014009		•	•	•	•																
1550	DISPLAY FOR CONTROL UNIT TCG-TCH REL.2.2	65301109		•	•	•	•																
1560	PLASTIC CONTROL BOARD	65300992		•	•	•	•																
1570	CABLE GROMMET D54/D47/D36	65300993		•	•	•	•																
1580	SHUTTER/CONSOLE	13009661		•	•	•	•																
1600	CABLE + CONNECT. / GAS PRESSURE SWITCH	65301019		•	•	•	•																
1610	CABLE + CONNECT. / GAS VALVE	65301020		•	•	•	•																
1620	CABLE / IGNITER	65300997		•	•	•	•																
1630	IONISATION CABLE+CONNECT.	65300158		•	•	•	•																
1650	CABLE L560+PLUG 4P/MOTOR	65301000		•	•	•	•																
1700	CONTROL UNIT TCG 511.00	65301021		•	•	•	•																
1800	CONTACTOR	13009778		•	•	•	•																
1810	RELAY MOTOR PROT.	13020693		•	•	•	•																



Description	Manf. Pt. N	Type	BB-VG5-950 DP BB-VG6-950 DP 60H BB-VG6-1200 DP BB-VG6-1200 DP 60H CH-G00931 - T1/KN CH-G00931 - T2/KL GT-G00111 - 3/4" - R01" GT-G0021 - T1/4-R02" GT-S313 - 2-R02" GT-S314 - 65-DN65																		From	to
			1	2	3	4	5	6	7	8	9	10	11	12	13	14	15	16	17	18		
2000 COMBUSTION HEAD																						
2100 GAS LINE WITH FITTINGS T1/KN	65301005							●														
GAS LINE WITH FITTINGS T2/KL	65301006								●													
GAS LINE WITH FITTINGS T3/KM	65301007									●												
2110 TURBULATOR Ø125/40-9FD	65301008							●	●	●												
2111 BAFFLE PLATE HOLDER	65301270							●	●	●												
2112 GAS SHUTTERS ASSEMBLY	65301009							●	●	●												
2115 GAS TUBE (SHORT)+SHUTTER	65301269							●	●	●												
2116 GAS TUBE (LONG)+SHUTTERS	65301144							●	●	●												
2120 ELECTRODES BLOCK	13009726							●	●	●												
2130 WASHER HEAD SCREW M4/ELECTRODES BLOCK	13010049							●	●	●												
2131 SPRING/ELECTRODES BLOCK FLANGE	13009725							●	●	●												
2140 ELECTRODE SUPPORT	13009622							●	●	●												
2150 PROBE	13018547							●	●	●												
2160 ADJUSTMENT SPINDLE LG.344	13009635							●														
ADJUSTMENT SPINDLE LG.454	13009637									●												
ADJUSTMENT SPINDLE LG.564	13009636									●												
2170 PROBE CABLE D.4-D.6,35 LG.1050	65301012								●	●												
PROBE CABLE D.4-D.6,35 LG.850	65301011							●														
2180 IGNITION CABLES ASSEMBLY L850	13010059							●														
IGNITION CABLES ASSEMBLY LG.1050MM	13009624								●	●												
2185 GAS NOZZLE	13009630							●	●	●												
2188 GAS BEND LG.173	13009632							●														
GAS BEND LG.283	13009634									●												
GAS BEND LG.393	13009633									●												
2190 O-RING D.55X4	13009631							●	●	●												
2195 ADJUSTMENT SPINDLE EXTENSION	13009638							●	●	●												
2200 FLAME TUBE D170/141/125 L305 POS.26°	65301013							●														
FLAME TUBE D170/141/125 L415 POS.26°	65301015									●												
FLAME TUBE D170/141/125 L525 POS.26°	65301014									●												
2210 M6 SCREW (LEFT HAND) BURNER TUBE FIX.	13007804							●	●	●												
2300 GASKET/BOILER FRONT 228X220X10	13009619							●	●	●												
2330 FURNACE PRESSURE TUBE D.6/8 LG.195	13023365							●														
FURNACE PRESSURE TUBE D.6/8 LG.270	13023366									●	●											
2350 MOUNTING SCREW+NUT/M10X70	13020198							●	●	●												
2360 STUDS SET M10X40	13016814							●	●	●												

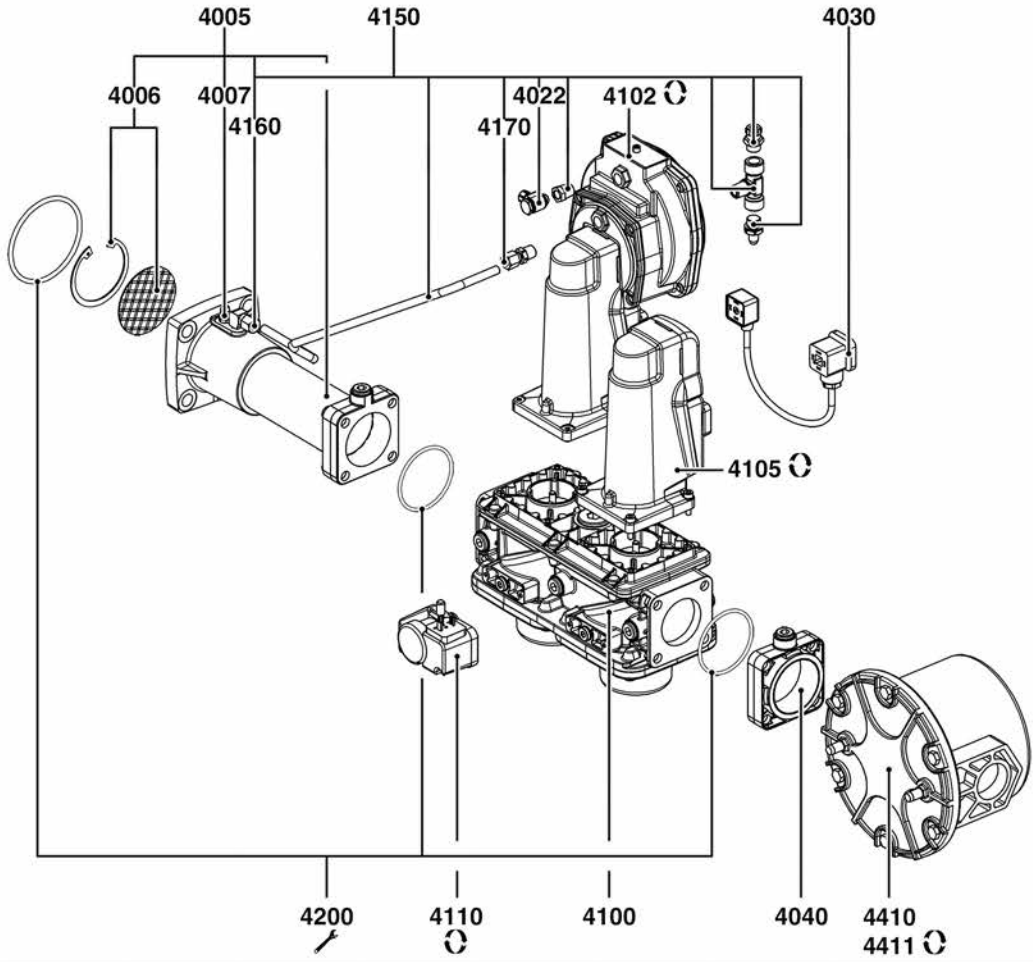


Description	Manf. Pt. N	Type	<div style="display: flex; justify-content: space-between; font-size: small;"> BB-VG5-950 DP BB-VG6-950 DP 80H BB-VG6-1200 DP BB-VG6-1200 DP 80H CH-G0031 - 11KN CH-G0031 - 12KL GT-G0311 - 3/4 - RP1" GT-G0311 - 1"1/4-RP2" GT-S313 - 2-RP2" GT-S314 - 85-DN65 </div>																		<div style="border: 1px solid black; padding: 2px; display: inline-block;">31</div>	
			1	2	3	4	5	6	7	8	9	10	11	12	13	14	15	16	17	18	From	to
3000 GAS TRAIN																						
3005 COLLECTOR CPL. RP 1"1/4	13014012									•												
COLLECTOR CPL. RP2	13011796										•											
COLLECTOR CPL. RP3/4	13014011								•													
3006 STABILISER + CIRCLIP D.60	13011367								•	•	•											
3007 PRESSURE TAP R1/8	13009722								•	•	•											
3022 BANJO UNION LCK-G1/8-PK4	13020682								•	•	•											
3040 FLANGE MB...420 RP2+P TAP	13007859										•											
INLET FLANGE MB405/407	13010074								•													
INLET FLANGE MB410/412	13010085									•												
3100 GAS VALVE MBVEF407 B01 S30 RP3/4"PL=1.2	13011113								•													
GAS VALVE MBVEF412 B01 S30 PL=0.3-PF=1.2	13011720									•												
GAS VALVE MBVEF420 B01 S10 RP2"+FP	13011725										•											
3110 GAS PRESS. SWITCH GW 150 A5 30-150MB DIN	13010078								•	•	•											
3120 DUN COIL No. 1105 MBVEF407	13010083								•													
DUN COIL No. 1205 MBVEF412	13010084									•												
DUN COIL No. 1215 MBVEF420	13011726										•											
3140 FILTERING ELEMENT /MB...410/412	13016012									•												
FILTERING ELEMENT /MB...420	13007901										•											
SCREEN FILTER /MB...405/407	13016011								•													
3150 GAS PRESSURE TUBE MBVEF407+UNION	13022464								•													
GAS PRESSURE TUBE MBVEF412+UNION	65300649									•												
GAS PRESSURE TUBE MBVEF420+UNION	65300669										•											
3160 ANGLED UNION	13023188								•	•	•											
3170 UNION G1/8 + GASKET	13023187								•	•	•											
3200 GASKET KIT MB...420	65300671										•											
GASKET SET MB...407	65300575								•													
GASKET SET MB...412	65300576									•												
3410 GAS FILTER ANELLO RP 1	13010092								•													
GAS FILTER ANELLO RP 2	13009700									•	•											
3411 FILT. ELEMENT RP2 + GASKET	13010044								•	•												
FILTERING ELEMENT RP1"-1 1/2"	13010093								•													

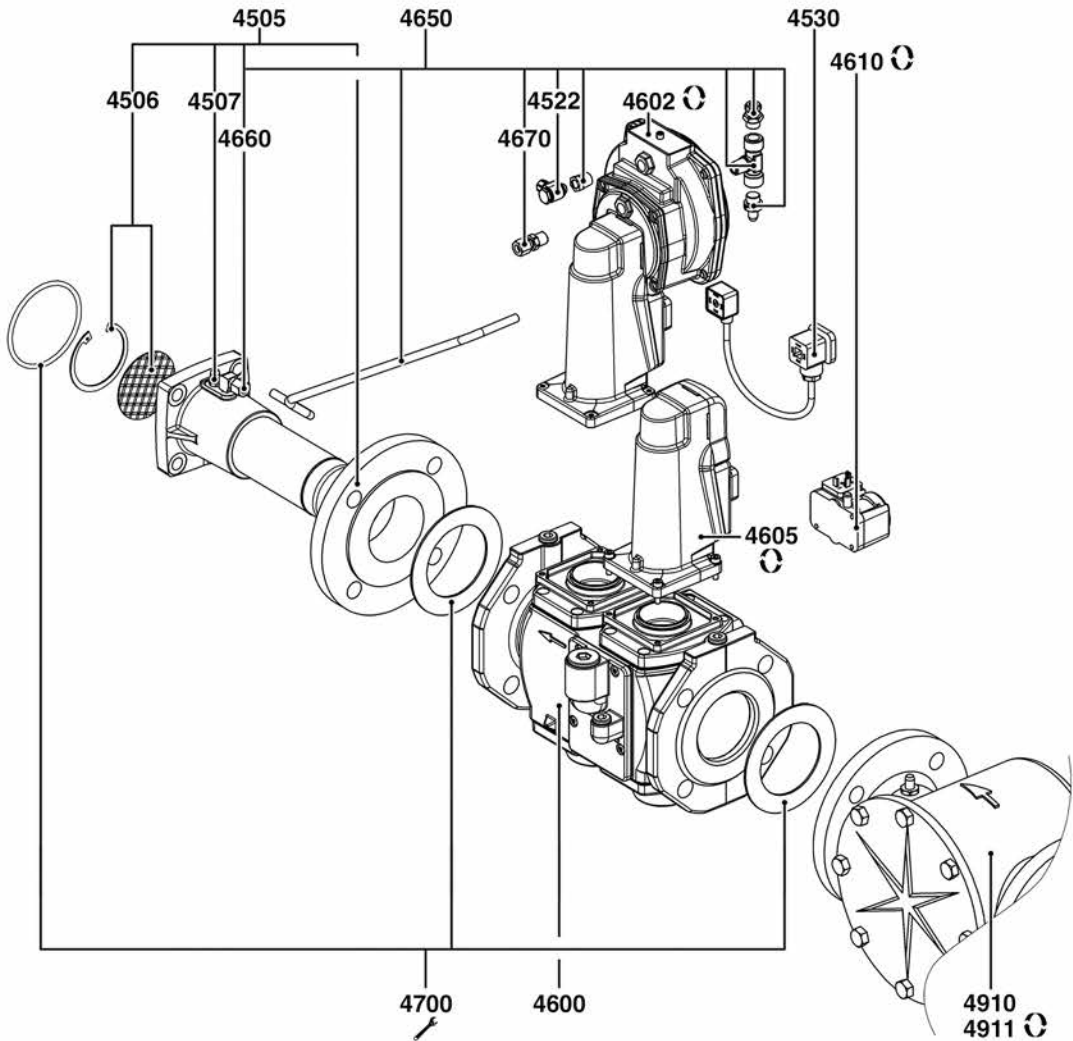
CB-VG5DP (50/60Hz)

Gas burners

4000



4500



		DE	FR	IT	
		NL	ES		
1005	13009640	DICHTUNG LUFTKASTEN DICHTING LUCHTKAST	JOINT BOITE A AIR JUNTA CAJA DE AIRE	GUARNIZIONE SCATOLA DELL'ARIA	1
1006	65326224	ANSAUGTRICHTER LUCHTGELEIDER	GUIDE AIR GUIA DE AIRE	GUIDA ARIA	1
1010	13009642	ABDECKUNG LUFTKASTEN DEKSEL LUCHTKAST	COUVERCLE BOITE A AIR TAPA CAJA DE AIRE	COPERCHIO SCATOLA DELL'ARIA	1
1011	65326223	STELLANTRIEBHAUBE KAP SERVOMOTOR	CAPOT SERVOMOTEUR CUBIERTA SERVOMOTOR	COPERCHIO SERVOMOTORE	1
1020	13009641	ISOLIERUNG LUFTKASTEN ISOLATIE LUCHTKAST	ISOLATION BOITE A AIR AISLAMIENTO CAJA DE AIRE	ISOLAMENTO SCATOLA DELL'ARIA	1
1040	65300527	STELLANTRIEB STE 4,5 B037/6 SERVOMOTOR STE 4,5 B037/6	SERVOMOTEUR STE 4,5 B037/6 SERVOMOTOR STE 4,5 B037/6	SERVOMOTORE STE 4,5 B037/6	1
1041	65326229	STELLANTRIEB STE 4,5 B0.37/6-L SERVOMOTOR STE 4,5 B0.37/6-L	SERVOMOTEUR STE 4,5 B0.37/6-L SERVOMOTOR STE 4,5 B0.37/6-L	SERVOMOTORE STE 4,5 B0.37/6-L	1
1050	13014117	AUSGERÜSTETE LUFTKLAPPE VOLLEDIGE LUCHTKLEP	VOLET D'AIR EQUIPE REJILLA DE AIRE EQUIPADA	SERRANDA DELL'ARIA EQUIPAGGIATA	1
1051	65326225	KOMPL. LUFTKLAPPE COMPLETE LUCHTKLEP	VOLET D'AIR EQUIPE VÁLVULA DE AIRE EQUIPADA	SERRANDA DELL'ARIA EQUIPAGGIATA	1
1060	13011751	GRAUE FEDER/ LUFT VEER GRIJS/ LUCHT	RESSORT GRIS/ AIR RESORTE GRIS/ AIRE	MOLLA GRIGIA/ ARIA	1
1070	65301071	UEBERTRAG.+WINKELGEL.L320/STE 4,5 B0 COMPLETE KOPPELING L320/STE 4,5 B0	ACCOUPLMENT EQ.L320/STE 4,5 B0 ACOPLAMIENTO EQ. L320/STE 4,5 B0	ACCOPIAMENTO EQ. L320/STE 4,5 B0	1
1090	13016845	KABELDURCHFUEHRUNG/GEHAEUSE DRAADDOORVOER/BRANDERHUIS	PASSE FIL/CARTER PASACABLES/CÁRTER	PASSAFILO/ CARTER	1
1100	65301016	BRENNERHAUBE VECTRON5 U. V6 KPL. COMPLETE KAP VECTRON5 EN V6	CAPOT VECTRON5 ET V6+VIS CUBIERTA VECTRON5 Y V6 EQUIPADA	COFANO V5 E V6 EQUIPAGGIATO	1
1101	65300519	FLACHKOPFSCHRAUBE M5X15 PLATKOPFSCHROEF M5X15	VIS A TETE PLATE M5X15 TORNILLO DE CABEZA PLANA M5X15	VITE A TESTA PIANA M5X15	1
1102	13009772	DICHTBAND / HAUBE DICHTINGSSTRIP / BRANDERKAP	BANDE D'ETANCHEITE / CAPOT BANDA ESTANQUEIDAD / CUBIERTA	NASTRO SIGILLANTE/ COPERTURA	1
1110	13009648	KABELDURCHFÜHRUNG DRAADGELEIDER	PASSE FIL PASACABLES	PASSA FILO	1
1120	13020327	SCHAUGLAS CONTROLELAMPJE	VOYANT TESTIGO	SPIA	1
1150	65301017	ANSAUGLUFTFUEHRUNG LUCHTKRINGLOOP	RECYCLAGE AIR RECICLAJE DE AIRE	CONVOGLIATORE ARIA	1
1160	13015497	SCHLAUCH D.4/7 LG. 500 MM SLANG D.4/7 LG. 500 MM	TUYAU D.4/7 LG. 500 MM MANGUERA D.4/7 LG. 500 MM	TUBO D.4/7 LG. 500 MM	1
1170	13009645	LUFTUMWÄLZUNG (SCHWARZ) TERUGWINNING LUCHT (ZWART)	RECYCLAGE AIR (NOIR) RECICLADO AIRE (NEGRO)	RICIRCOLO DELL'ARIA (NERO)	1
	13009646	LUFTUMWÄLZUNG (WEISS) TERUGWINNING LUCHT (WIT)	RECYCLAGE AIR (BLANC) RECICLADO AIRE (BLANCO)	RICIRCOLO DELL'ARIA (BIANCO)	1
1180	13009651	DIFFERENZIALDRUCKMESSER (WEISS) AANSLUITING DRUKVERSCHIL (WIT)	PRISE DE PRESS. DIFFERENTIELLE (BLANC) TOMA PRES. DIFERENCIAL (BLANCO)	PRESA PRESSIONE DIFFERENZIALE (BIANCO)	1
1190	13009649	VENTILATORRAD D240X82 d19 VENTILATORRAD D240X82 d19	TURBINE D240X82 d19 TURBINA D240X82 d19	VENTOLA D240X82 d19	1
	65300542	VENTILATORRAD D215X82 d19 VENTILATORRAD D215X82 d19	TURBINE D215X82 d19 TURBINA D215X82 d19	VENTOLA D215X82 d19	1
1200	13020723	HALTER LUFTDRUCKWAECHTER D32 STEUN MANOSTAAT HUBA D32	SUPPORT MANOSTAT AIR D32 SOPORTE DEL MANOSTATO DE AIRE D32	SUPPORTO PRESSOSTATO DELL'ARIA D32	1
1210	65300991	LUFTDRUCKWAECHTER HUBA 604 1-10MBAR LUCHTDrukBEWAKER HUBA 604 1-10MBAR	MANOSTAT HUBA 604 1-10MBAR PRESSOSTATO AIRE HUBA 604 1-10MBAR	MANOSTATO HUBA 604 1-10MBAR	1
	65301048	LUFTDRUCKWAECHTER HUBA 604 5-20MBAR LUCHTDrukBEWAKER HUBA 604 5-20MBAR	MANOSTAT HUBA 604 5-20MBAR PRESSOSTATO AIRE HUBA 604 5-20MBAR	MANOSTATO ARIA HUBA 604 5-20MBAR	1
1220	13009654	MOTOR 1,5KW230/400V D19+STECKER MOTOR 1,5KW 230/400V D19 + STEKKER	MOTEUR 1,5KW230/400V D19+PRISE MOTOR 1,5KW230/400V D19+TOMA	MOTORE 1,5KW230/400V D19+PRESA	1
1510	13009663	ZÜNDVORRICHTUNG EBI 2X7,5 230V ONTSTEKER EBI 2X7,5 230V	ALLUMEUR EBI 2X7,5 230V DISP. ENCENDIDO EBI 2X7,5 230V	ACCENDITORE EBI 2X7,5 230V	1
1520	13016457	SICHERUNGHALTER+SICHERUNG 6.3A ZEKERINGHOUDER+ZEKERING 6,3A	PORTE FUSIBLE+FUSIBLE 6.3A PORTA FUSIBLE+FUSIBLE 6.3A	PORTAFUSIBILE + FUSIBILE 6.3A	1
1525	13016028	FEINSICHERUNG 5X20 6,3 A (TRAEGE) ZEKERING 5X20 6.3A	FUSIBLE 5X20 6.3A (CALIBRE) FUSIBLE 5X20 6.3A	FUSIBILE 5X20 6.3A	1
1530	13010007	SCHALTER EIN/AUS SCHAKELAAR ON/OFF	INTERRUPTEUR MARCHE/ARRET INTERRUPTOR	INTERRUTTORE ON/OFF	1
1540	13014009	BETRIEBSSCHALTER SCHAKELAAR - BEDRIFJ	INTERRUPTEUR - FONCTIONNEMENT INTERRUPTOR	INTERRUTTORE - FUNZIONAMENTO	1
1550	65301109	ANZEIGE FÜR AUTOMAT. TCG-TCH REL.2.2 DISPLAY V. BRANDERAUTOM.TCG-TCH REL.2.2	AFFICHEUR POUR COFFRET TCG-TCH REL. 2.2 PANTALLA P. PROGRAMAD. TCG-TCH REL.2.2	DISPLAY PER APPARECCHIA.TCG-TCH REL.2.2	1
1560	65300992	BEDIENFELD KUNSTSTOFF PLASTIC BEDIENINGSPANEEL	PUPIRE DE COMMANDE PLASTIQUE PUPIRE DE MANDO PLÁSTICO	QUADRO DI COMANDO PLASTICO	1
1570	65300993	KABELDURCHFUEHRUNG D54/D47/D36 DRAADDOORVOER D54/D47/D36	PASSE FIL D54/D47/D36 PASACABLE D54/D47/D36	PASSA FILO D54/D47/D36	1

			DE	FR	IT	
			NL	ES		
1580	13009661	VERSCHLUSS / BEDIENFELD AFSLUITER / BEDIENINGSPANEEL	OBTURATEUR / PUPITRE OBTURADOR / TABLERO	OTTURATORE / QUADRO	1	
1600	65301019	KABEL M. STECKER / GASDRUCKWAECHTER KABEL + STEKKER GASDRUKBEWAKER	CABLE + CONNECT. / MANOSTAT GAZ CABLE + TOMA / PRESSOSTATO GAS	CAVO + CONNETT. / MANOSTATO GAS	1	
1610	65301020	KABEL M. STECKER / GASVENTIL KABEL + STEKKER GASKLEP	CABLE + CONNECT. / VANNE GAZ CABLE+ TOMA/VALVULA GAS	CAVO + CONNETT. / VALVOLA GAS	1	
1620	65300997	KABEL M.STECKER ZUENDTRAF0 KABEL + STEKKER / ONTSTEKER	CABLE ALLUMEUR CABLE+TOMA/ENCENDEADOR	CAVO TRASFORMATORE ACCENS.	1	
1630	65300158	IONISATIONS KABEL LG.350+STECKER KABEL IONISATIE+STEKK.	CABLE IONISATION+PRISE CABLE Sonda IONIZACI3N+TOMA	CAVO IONIZZAZIONE+CONETT.	1	
1650	65301000	KABEL L560+STECKER 4P/MOTOR KABEL L560+STEKKER 4P/MOTOR	CABLE L560+PRISE 4P/MOTEUR CABLE L560+TOMA 4P/MOTOR	CAVO LUNGH. 560MM + PRESA 4 POLI/MOTORE	1	
1700	65301021	FEUERUNGSAUTOMAT TCG 511.00 BRANDERAUTOMAAT TCG 511.00	COFFRET TCG 511.00 PROGRAMADOR TCG 511.00	APPARECCHIATURA TCG 511.00 (R2.2)	1	
1800	13009778	SCHALTSCHÜTZ SCHAKELAAR	CONTACTEUR CONTACTOR	CONTATTORE	1	
1810	13020693	UEBERSTROMRELAIS/SCHUETZ THERMISCH RELAIS	RELAIS THERMIQUE RELÉ TÉRMICO	RELE TERMICO	1	
2100	65301005	STERN GASKOPF KPL. MONTIERT T1/KN GASLIJN COMPLEET T1/KN	LIGNE GAZ EQUIPEE T1/KN LÍNEA DE GAS EQUIPADA T1/KN	LINEA GAS COMPLETA T1/KN	1	
	65301006	STERN GASKOPF KPL. MONTIERT T2/KL GASLIJN COMPLEET T2/KL	LIGNE GAZ EQUIPEE T2/KL LÍNEA DE GAS EQUIPADA T2/KL	LINEA GAS COMPLETA T2/KL	1	
	65301007	STERN GASKOPF KPL. MONTIERT T3/KM GASLIJN COMPLEET T3/KM	LIGNE GAZ EQUIPEE T3/KM LÍNEA DE GAS EQUIPADA T3/KM	LINEA GAS COMPLETA T3/KM	1	
2110	65301008	STAUSCHEIBE Ø125/40-9FD STUWSCHIJF Ø125/40-9FD	DEFLECTEUR Ø125/40-9FD DEFLECTOR Ø125/40-9FD	BOCCHETTONE Ø125/40-9FD	1	
2111	65301270	STAUSCHEIBENHALTER STUWPLAAT STEUN	SUPPORT DEFLECTEUR SOPORTE DEFLECTOR	SUPPORTO DIFFUSORE	1	
2112	65301009	GASHUELSEN-SET AFSLUITER/VERSPREIDEREENHEID	ENSEMBLE OBTURATEURS GAZ CONJUNTO OBTURADOR+DIFUSOR DE GAS	GRUPPO OTTURATORI GAS	1	
2115	65301269	GASDUESE (KURZ)+HUELSE GAS VERSPREIDER (KURZ)+AFSLUITER	DIFFUSEUR GAZ (COURT)+OBTURATEUR CONJUNTO DIFUSOR	DIFFUSORE GAS (BREVE)+OTTURATORE	1	
2116	65301144	GASDUESE (LANG)+HUELSEN GAS VERSPREIDERS (LANG)+AFSLUITERS	DIFFUSEUR GAZ (LONG)+OBTURATEURS DIFUSORES DE GAS	DIFFUSORE GAS (LUNGH0)+OTTURATORI	1	
2120	13009726	ELEKTRODENBLOCK ELEKTRODEBLOK	BLOC-ELECTRODES BLOQUE-ELECTRODOS	BLOCCO ELETTRODI	1	
2130	13010049	ANSATZSCHRAUBE M4/ELEKTRODENBLOCK KRAAGSCHROEF M4/ELEKTRODEBLOK	VIS EPAULEE M4/BLOC-ELECTRODES TORN.ALLEN M4/BLOQUE-ELECTRODOS	VITE CON SPALLAMENTO M4/BLOCCO ELETTRODI	1	
2131	13009725	FEDERBÜGEL/ELEKTRODENBLOCK FLENS VEER/ELEKTRODEBLOK	BRIDE RESSORT/BLOC-ELECTRODES BRIDA RESORTE/BLOQUE-ELECTRODOS	FLANGIA MOLLA/BLOCCO ELETTRODI	1	
2140	13009622	ELEKTRODENHALTER STEUN ELEKTRODEN	SUPPORT ELECTRODES SOPORTE ELECTRODOS	SUPPORTO ELETTRODI	1	
2150	13018547	IONISATIONSSTAB SONDE	SONDE SONDA	SONDA	1	
2160	13009635	REGULIERSTANGE LG.344 INSELSTIFT LG.344	TIGE DE REGLAGE LG.344 VARILLA AJUSTE LG.344	ASTINA DI REGOLAZIONE LUNG.344	1	
	13009636	REGULIERSTANGE LG.564 INSELSTIFT LG.564	TIGE DE REGLAGE LG.564 VARILLA AJUSTE LG.564	ASTINA DI REGOLAZIONE LUNG.564	1	
	13009637	REGULIERSTANGE LG.454 INSELSTIFT LG.454	TIGE DE REGLAGE LG.454 VARILLA AJUSTE LG.454	ASTINA DI REGOLAZIONE LUNG.454	1	
2170	65301011	IONISATIONS KABEL D.4-D.6.35 LG.850 SONDEKABEL D.4-D.6.35 LG.850	CABLE Sonda D.4-D.6.35 LG.850 CABLE DE LA Sonda D.4-D.6.35 LG.850	CAVO Sonda D.4-D.6.35 LG.850	1	
	65301012	IONISATIONS KABEL D.4-D.6.35 LG.1050 SONDEKABEL D.4-D.6.35 LG.1050	CABLE Sonda D.4-D.6.35 LG.1050 CABLE DE LA Sonda D.4-D.6.35 LG.1050	CAVO Sonda D.4-D.6.35 LG.1050	1	
2180	13009624	KIT ZÜNDKABEL LG.1050MM SET ONTSTEKINGSKABELS LG.1050MM	ENSEMBLE CABLES D'ALLUMAGE LG.1050MM CONJUNTO CABLES ENCENDIDO LG.1050MM	GRUPPO CAVI DI ACCENSIONE LUNG.1050MM	1	
	13010059	ZUENDKABEL-SET L850 ONTSTEKINGSKABELEENHEID L850	ENSEMBLE CABLES D'ALLUMAGE L850 CONJUNTO CABLE ENCENDIDO L850	GRUPPO CAVI ACCENSIONE L850	1	
2185	13009630	GASDUESE GAS NOZZLE	DIFFUSEUR GAZ DIFUSOR GAS	INIETTORE GAS	1	
2188	13009632	GASROHR LG.173 ELLEBOOG GAS LG.173	COUDE GAZ LG.173 CODO GAS LG.173	GOMITO GAS LG.173	1	
	13009633	GASROHR LG.393 ELLEBOOG GAS LG.393	COUDE GAZ LG.393 CODO GAS LG.393	GOMITO GAS LG.393	1	
	13009634	GASROHR LG.283 ELLEBOOG GAS LG.283	COUDE GAZ LG.283 CODO GAS LG.283	GOMITO GAS LG.283	1	
2190	13009631	O-RING D.55X4 O-RING D.55X4	O'RING D.55X4 JUNTA TÓRICA D.55X4	O'RING D.55X4	1	
2195	13009638	VERLÄNGERUNG REGULIERSTANGE VERLENGSTUK INSELSTIFT	RALLONGE TIGE DE REGLAGE ALARGUE VARILLA AJUSTE	PROLUNGA ASTINA DI REGOLAZIONE	1	
2200	65301013	FLAMMENROHR D170/141/125 L305 POS.26° BRANDERBUIS D170/141/125 L305 POS.26°	TUBE DE FLAMME D170/141/125 L305 POS.26° TUBO DE LLAMA D170/141/125 L305 POS.26°	BOCCAGLIO D170/141/125 L305 POS.26°	1	

		DE NL	FR ES	IT	X
	65301014	FLAMMENROHR D170/141/125 L525 POS.26° BRANDERBUIS D170/141/125 L525 POS.26°	TUBE DE FLAMME D170/141/125 L525 POS.26° TUBO DE LLAMA D170/141/125 L525 POS.26°	BOCCAGLIO D170/141/125 L525 POS.26°	1
	65301015	FLAMMENROHR D170/141/125 L415 POS.26° BRANDERBUIS D170/141/125 L415 POS.26°	TUBE DE FLAMME D170/141/125 L415 POS.26° TUBO DE LLAMA D170/141/125 L415 POS.26°	BOCCAGLIO D170/141/125 L415 POS.26°	1
2210	13007804	SCHRAUBE M6 (LINKSGEW.)BEF. BRENNERROHR M6-BEV.SCHROEF (NIET LINKS) BRANDERPIJP	VIS M6 (PAS GAUCHE)FIX. TUBE BRULEUR TORN. M6 (R.IZQ.)FIJ. TUBO QUEMADOR	VITE M6 (PASSO SX) FISS. TUBO BRUCIATORE	1
2300	13009619	DICHTUNG/KESSELTÜR 228X220X10 DICHTUNG KLINGERIT 228X220X10	JOINT/FAÇADE CHAUDIERE 228X220X10 JUNTA/FRENTE CALDERA 228X220X10	GUARN./LATO FRONTALE CALDAIA 228X220X10	1
2330	13023365	DRUCKROHR FEUERRAUM D.6/8 LG.195 BUIJS KAMERDRUK D.6/8 LG.195	TUBE PRESSION FOYER D.6/8 LG.195 TUBO DE PRESIÓN DEL HOGAR LG.195	TUBO PRESSIONE CAMERA D.6/8 LG.195	1
	13023366	DRUCKROHR FEUERRAUM D.6/8 LG.270 BUIJS KAMERDRUK D.6/8 LG.270	TUBE PRESSION FOYER D.6/8 LG.270 TUBO DE PRESIÓN DEL HOGAR D.6/8 LG.270	TUBO PRESSIONE CAMERA D.6/8 LG.270	1
2350	13020198	BEFESTIGUNGSSCHRAUBE+MUTTER/M10X70 BEVESTIGINGSSCHROEF+MOER/M10X70	VIS DE FIXATION+ECROU/M10X70 TORNILLO DE FIJACIÓN+TUERCA/M10X70	VITE DI FISSAGGIO+DADO/M10X70	1
2360	13016814	STEBOLZEN-SET (4 STK.) M10X40 SET TAPENINDEN M10X40	KIT GOUJONS M10X40 KIT PASADORES M10X40	SET PRIGIONIERI M10X40	1
3005	13011796	FLANSCH/KOLLEKTOR KPL. RP2 FLENS/COLLECTOR VOLL. RP2	BRIDE/COLLECTEUR CPL. RP2 BRIDA/COLECTOR CPL. RP2	FLANGIA/COLLETTORE ACC. RP2	1
	13014011	KOLLEKTOR KPL RP3/4 COLLECTOR VOLL. RP3/4	COLLECTEUR CPL. RP3/4 COLECTOR CPL. RP3/4	COLLETTORE ACC. RP3/4	1
	13014012	KOLLEKTOR KPL RP 1"1/4 COLLECTOR VOLL. RP 1"1/4	COLLECTEUR CPL. RP 1"1/4 COLECTOR CPL. RP 1"1/4	COLLETTORE ACC. RP 1"1/4	1
3006	13011367	STABILISATOR+SICHERUNGSRING D.60 STABILISATOR+ BORGVEREN D.60	STABILISATEUR+ CIRCLIPS D.60 ESTABILIZADOR+ ANILLO DE RETÉN D.60	STABILIZZATORE+ANELLI ELASTICI D.60	1
3007	13009722	MESSNIPPEL R1/8 DRUKAANSLUITING R1/8	PRISE PRESSION R1/8 TOMA PRESIÓN R1/8	PRESA PRESSIONE R1/8	1
3022	13020682	SCHWENKVERSCHRÄUBUNG LCK-G1/8-PK4 "BANJO" AANSLUITING LCK-G1/8-PK4	RACCORD BANJO LCK-G1/8-PK4 RACOR TIPO "BANJO" LCK-G1/8-PK4	RACCORDO "BANJO" LCK-G1/8-PK4	1
3040	13007859	FLANSCH MB...420 RP2+STECKER P FLENS MB...420 RP2+DRUKAANSL.	BRIDE MB...420 RP2+PRISE P BRIDA MB...420 RP2+TOMA P	FLANGIA MB...420 RP2+PRESA P	1
	13010074	FLANSCH MB405/407 AANSLUITFLENS MB405/407	BRIDE D'ENTRÉE MB405/407 BRIDA ENTRADA MB405/407	FLANGIA INGRESSO MB405/407	1
	13010085	EINGANGSFLANSCH MB410/412 AANSLUITFLENS MB410/412	BRIDE D'ENTRÉE MB410/412 BRIDA ENTRADA MB410/412	FLANGIA INGRESSO MB410/412	1
3100	13011113	GASVENTIL MBVEF407 B01 S30 RP3/4"PL=1,2 GASKLEP MBVEF407 B01 S30 RP3/4"PL=1,2	VANNE GAZ MBVEF407 B01 S30 RP3/4"PL=1,2 VÁLV. GAS MBVEF407 B01 S30 RP3/4"PL=1,2	VALV. GAS MBVEF407 B01 S30 RP3/4"PL=1,2	1
	13011720	GASVENTIL MBVEF412 B01 S30 PL=0,3-PF=1,2 GASKLEP MBVEF412 B01 S30 PL=0,3-PF=1,2	VANNE GAZ MBVEF412 B01 S30 PL=0,3-PF=1,2 VÁLV. GAS MBVEF412 B01 S30 PL=0,3-PF=1,2	VALV. GAS MBVEF412 B01 S30 PL=0,3-PF=1,2	1
	13011725	GASVENTIL MBVEF420 B01 S10 RP2"+FP GASKLEP MBVEF420 B01 S10 RP2"+FP	VANNE GAZ MBVEF420 B01 S10 RP2"+FP VÁLV. GAS MBVEF420 B01 S10 RP2"+FP	VALVOLA GAS MBVEF420 B01 S10 RP2"+FP	1
3110	13010078	GASDRUCKWÄCHTER GW 150 A5 30-150MB DIN GASDRUKREGELAAR GW 150 A5 30-150MB DIN	MANOSTAT GAZ GW 150 A5 30-150MB DIN MANOSTATO GAS GW 150 A5 30-150MB DIN	PRESSOSTATO GAS GW 150 A5 30-150MB DIN	1
3120	13010083	SPULE DUN N° 1105 MBVEF407 SPOEL DUN NR. 1105 MBVEF407	BOBINE DUN N° 1105 MBVEF407 BOBINA DUN N° 1105 MBVEF407	BOBINA DUN N° 1105 MBVEF407	1
	13010084	SPULE DUN N° 1205 MBVEF412 SPOEL DUN NR. 1205 MBVEF412	BOBINE DUN N° 1205 MBVEF412 BOBINA DUN N° 1205 MBVEF412	BOBINA DUN N° 1205 MBVEF412	1
	13011726	SPULE DUN N° 1215 MBVEF420 SPOEL DUN NR. 1215 MBVEF420	BOBINE DUN N° 1215 MBVEF420 BOBINA DUN N° 1215 MBVEF420	BOBINA DUN N° 1215 MBVEF420	1
3140	13007901	FILTERELEMENT /MB...420 FILTERELEMENT /MB...420	ELEMENT FILTRANT /MB...420 ELEMENTO FILTRANTE /MB...420	ELEMENTO FILTRANTE /MB...420	1
	13016011	FEINFILTER /MB...405/407 ZEEFFILTER /MB...405/407	FILTRE TAMIS /MB...405/407 FILTRO TAMIZ /MB...405/407	SET FILTRI /MB...405/407	1
	13016012	FILTERELEMENT /MB...410/412 FILTERELEMENT /MB...410/412	ELEMENT FILTRANT /MB...410/412 ELEMENTO FILTRANTE /MB...410/412	ELEMENTO FILTRANTE /MB...410/412	1
3150	13022464	DRUCKABNAHMERROHR MBVEF407 GASDRUKBUIJS MBVEF407+AANSLUITING	TUBE PRESSION GAZ MBVEF407+RACCORD TUBO DE PRESIÓN GAS MBVEF 407+EMPALME	TUBO DELLA PRESSIONE GAS MBVEF407	1
	65300649	DRUCKABNAHMERROHR MBVEF412 GASDRUKBUIJS MBVEF412+AANSLUITING	TUBE PRESSION GAZ MBVEF412+RACCORD TUBO DE PRESIÓN GAS MBVEF412+EMPALME	TUBO DELLA PRESSIONE GAS MBVEF412	1
	65300669	DRUCKABNAHMERROHR MBVEF420 GASDRUKBUIJS MBVEF420+AANSLUITING	TUBE PRESSION GAZ MBVEF420+RACCORD TUBO DE PRESIÓN GAS MBVEF420+EMPALME	TUBO DELLA PRESSIONE GAS MBVEF420	1
3160	13023188	WINKELVERSCHRÄUBUNG GEBOGEN AANSLUITING	RACCORD COUDE RACOR ACODADO	RACCORDO A GOMITO	1
3170	13023187	VERSCHRÄUBUNG G1/8 + DICHTUNG AANSLUITING G1/8 + AFDICHTING	RACCORD G1/8+JOINT RACOR G1/8 + JUNTA	RACCORDO G1/8 + GUARNIZIONE	1
3200	65300575	O'RING SET MB...407 PAKKINGSET MB...407	KIT JOINTS MB...407 KIT DE JUNTAS MB...407	KIT GUARNIZIONI MB...407	1
	65300576	O'RING SET MB...412 PAKKINGSET MB...412	KIT JOINTS MB...412 KIT DE JUNTAS MB...412	KIT GUARNIZIONI MB...412	1
	65300671	DICHTUNGSKIT MB...420 DICHTINGSKIT MB...420	KIT JOINTS MB...420 KIT JUNTAS MB...420	KIT GUARNIZIONI...420	1
3410	13009700	EXTERNER GASFILTER RP2 FILTER GAS EXTERN RP2	FILTRE GAZ EXTERNE RP2 FILTRO GAS EXTERNO RP2	FILTRO GAS ESTERNO RP2	1

		DE	FR	IT	
		NL	ES		
		GASFILTER RP1 GASFILTER RP1	FILTRE GAZ RP 1 FILTRO PARA GAS EXTERIOR RP1	FILTRO GAS RP1	1
3411	13010044	FILTERELEMENT RP2+DICHTUNG FILTERELEMENT RP2+DICHTING	ELEMENT FILT. RP2+JOINT ELEMENTO FILT. RP2+JUNTA	ELEMENTO FILT. RP2+GUARNIZIONE	1
	13010093	FILTERELEMENT RP1"-1 1/2" FILTERELEMENT RP1"-1 1/2"	ELEMENT FILTRANT RP1"-1 1/2" ELEMENTO FILTRANTE RP1"-1 1/2"	ELEMENTO FILTRANTE RP1"-1 1/2"	1
4005	65301024	GASANSCHLUSSROHR RP2 GASAANSLUITBUIS CPL. RP2	COLLECTEUR COMPLET RP2 COLECTOR GAS CPL RP2	COLLETTORE RP2	1
4006	13011367	STABILISATOR+SICHERUNGSRING D.60 STABILISATOR+ BORGVEREN D.60	STABILISATEUR+ CIRCLIPS D.60 ESTABILIZADOR+ ANILLO DE RETÉN D.60	STABILIZZATORE+ANELLI ELASTICI D.60	1
4007	13009722	MESSNIPPEL R1/8 DRUKAANSLUITING R1/8	PRISE PRESSION R1/8 TOMA PRESIÓN R1/8	PRESA PRESSIONE R1/8	1
4022	13020682	SCHWENKVERSCHRAUBUNG LCK-G1/8-PK4 "BANJO" AANSLUITING LCK-G1/8-PK4	RACCORD BANJO LCK-G1/8-PK4 RACOR TIPO "BANJO" LCK-G1/8-PK4	RACCORDO "BANJO" LCK-G1/8-PK4	1
4030	13020958	ANSCHLUSSKABEL SKP VERBINDINGSKABEL SKP	CABLE DE LIAISON SKP CABLE DE CONEXIÓN SKP	CAVO DI COLLEGAMENTO SKP	1
4040	65300871	EINGANGSFLANSCH AGA51 AANSLUITFLENS AGA51	BRIDE D'ENTRÉE AGA51 BRIDA ENTRADA AGA51	FLANGIA INGRESSO AGA51	1
4100	65311581	GASVENTIL VGD20 5011 RP2" GASKLEP VGD20 5011 RP2"	VANNE GAZ VGD20 5011 RP2" VALVULA GAS VGD20 5011 RP2"	VALVOLA GAS VGD20 5011 RP2"	1
4102	13020950	SERVOMOT. GAS SKP75.003E2 O.ENDSCHALTER SERVOMOT. GAS SKP75.003E2 Z.EINDSCHAK.	SERVOMOT. GAZ SKP75.003E2 S.FIN COURSE SERVOMOT. GAS SKP75.003E2 S.TOPE	SERVOMOT. GAS SKP75.003E2 S.FINECORSIA	1
4105	13020951	SERVOMOT. GAS SKP15.000E2 O.ENDSCHALTER SERVOMOT. GAS SKP15.000E2 Z.EINDSCHAK.	SERVOMOT. GAZ SKP15.000E2 S.FIN COURSE SERVOMOT. GAS SKP15.000E2 S.TOPE	SERVOMOT. GAS SKP15.000E2 S.FINECORSIA	1
4110	13010078	GASDRUCKWÄCHTER GW 150 A5 30-150MB DIN GASDRUKREGELAAR GW 150 A5 30-150MB DIN	MANOSTAT GAZ GW 150 A5 30-150MB DIN MANOSTATO GAS GW 150 A5 30-150MB DIN	PRESSOSTATO GAS GW 150 A5 30-150MB DIN	1
4150	65301075	GASDRUCKROHR VGD20 RP2 NC95/210-VG5/6 GASDRUKBUIS VGD20 RP2 NC95/210-VG5/6	TUBE PRES.GAZ VGD20 RP2 NC95/210-VG5/6 TUBO PR. GAS VGD20 RP2 NC95/210-VG5/6	TUBO PRES.GAS VGD20 RP2 NC95/210-VG5/6	1
4160	13023188	WINKELVERSCHRAUBUNG GEBOGEN AANSLUITING	RACCORD COUDE RACOR ACODADO	RACCORDO A GOMITO	1
4170	13009721	GERADES ANSCHLUSSSTÜCK VERBINDING RECHT	RACCORD DROIT EMPALME RECTO	RACCORDO DESTRO	1
4200	13011733	DICHTUNGSKIT VGG,VGF10/VGD20 RP2 DICHTINGSKIT VGG,VGF10/VGD20 RP2	KIT JOINTS VGG,VGF10/VGD20 RP2 KIT JUNTAS VGG,VGF10/VGD20 RP2	KIT GUARNIZIONI VGG,VGF10/VGD20 RP2	1
4410	13009700	EXTERNER GASFILTER RP2 FILTER GAS EXTERN RP2	FILTRE GAZ EXTERNE RP2 FILTRO GAS EXTERNO RP2	FILTRO GAS ESTERNO RP2	1
4411	13010044	FILTERELEMENT RP2+DICHTUNG FILTERELEMENT RP2+DICHTING	ELEMENT FILT. RP2+JOINT ELEMENTO FILT. RP2+JUNTA	ELEMENTO FILT. RP2+GUARNIZIONE	1
4505	65301022	GASANSCHLUSSROHR DN65 GASAANSLUITBUIS CPL. DN65	COLLECTEUR COMPLET DN65 COLECTOR GAS CPL DN65	COLLETTORE DN65	1
4506	13011367	STABILISATOR+SICHERUNGSRING D.60 STABILISATOR+ BORGVEREN D.60	STABILISATEUR+ CIRCLIPS D.60 ESTABILIZADOR+ ANILLO DE RETÉN D.60	STABILIZZATORE+ANELLI ELASTICI D.60	1
4507	13009722	MESSNIPPEL R1/8 DRUKAANSLUITING R1/8	PRISE PRESSION R1/8 TOMA PRESIÓN R1/8	PRESA PRESSIONE R1/8	1
4522	13020682	SCHWENKVERSCHRAUBUNG LCK-G1/8-PK4 "BANJO" AANSLUITING LCK-G1/8-PK4	RACCORD BANJO LCK-G1/8-PK4 RACOR TIPO "BANJO" LCK-G1/8-PK4	RACCORDO "BANJO" LCK-G1/8-PK4	1
4530	13020958	ANSCHLUSSKABEL SKP VERBINDINGSKABEL SKP	CABLE DE LIAISON SKP CABLE DE CONEXIÓN SKP	CAVO DI COLLEGAMENTO SKP	1
4600	65323661	GASVENTIL VGD40 065 DN65 GASKLEP VGD40 065 DN65	VANNE GAZ VGD40 065 DN65 VALVULA GAS VGD40 065 DN65	VALVOLA GAS VGD40 065 DN65	1
4602	13020950	SERVOMOT. GAS SKP75.003E2 O.ENDSCHALTER SERVOMOT. GAS SKP75.003E2 Z.EINDSCHAK.	SERVOMOT. GAZ SKP75.003E2 S.FIN COURSE SERVOMOT. GAS SKP75.003E2 S.TOPE	SERVOMOT. GAS SKP75.003E2 S.FINECORSIA	1
4605	13020951	SERVOMOT. GAS SKP15.000E2 O.ENDSCHALTER SERVOMOT. GAS SKP15.000E2 Z.EINDSCHAK.	SERVOMOT. GAZ SKP15.000E2 S.FIN COURSE SERVOMOT. GAS SKP15.000E2 S.TOPE	SERVOMOT. GAS SKP15.000E2 S.FINECORSIA	1
4610	13010078	GASDRUCKWÄCHTER GW 150 A5 30-150MB DIN GASDRUKREGELAAR GW 150 A5 30-150MB DIN	MANOSTAT GAZ GW 150 A5 30-150MB DIN MANOSTATO GAS GW 150 A5 30-150MB DIN	PRESSOSTATO GAS GW 150 A5 30-150MB DIN	1
4650	65301025	GASDRUCKROHR VGD40 DN65 NC95/210-VG5/6 GASDRUKBUIS VGD40 DN65 NC95/210-VG5/6	TUBE PR.GAZ EQ.VGD40 DN65 NC95/210-VG5/6 TUBO PR. GAS VGD40 DN65 NC95/210-VG5/6	TUBO PR.GAS CPL.VGD40DN65 NC95/210-VG5/6	1
4660	13023188	WINKELVERSCHRAUBUNG GEBOGEN AANSLUITING	RACCORD COUDE RACOR ACODADO	RACCORDO A GOMITO	1
4670	13009721	GERADES ANSCHLUSSSTÜCK VERBINDING RECHT	RACCORD DROIT EMPALME RECTO	RACCORDO DESTRO	1
4700	13013781	DICHTUNGSKIT VGD40 DN65 DICHTINGSKIT VGD40 DN65	KIT JOINTS VGD40 DN65 KIT JUNTAS VGD40 DN65	KIT GUARNIZIONI VGD40 DN65	1
4910	13009703	EXTERNER GASFILTER DN65 FILTER GAS EXTERN DN65	FILTRE GAZ EXTERNE DN65 FILTRO GAS EXTERNO DN65	FILTRO GAS ESTERNO DN65	1
4911	13009704	GASFILTERELEMENT DN65 MIT DICHTUNG FILTERELEMENT GAS DN65 MET DICHTING	ELEMENT FILTRANT GAZ DN65 AVEC JOINT ELEMENTO FILTRANTE GAS DN65 CON JUNTA	ELEMENTO FILTRANTE GAS DN65 CON GUARNIZ.	1

					
1005	13009640	УПЛОТНЕНИЕ ВОЗДУХОЗАБОРНИКА HAVA KUTUSU CONTASI	JUNTA CAIXA DE AR	USZCZELKA SKRZYNKI POWIETRZA	1
1006	65326224	ВОЗДУШНЫЙ КОЖУХ HAVA KILAVUZU	GUIA AR	PRZEWODNIK POWIETRZA	1
1010	13009642	КРЫШКА ВОЗДУХОЗАБОРНИКА HAVA KUTUSU KARAĞI	TAMPA REGISTRO DE AR	POKRYWA SKRZYNKI POWIETRZA	1
1011	65326223	ЧЕХОЛ СЕРВОДВИГАТЕЛЬ SERVO MOTOR KARAĞI	COBERTURA DO SERVOMOTOR	POKRYWA SERWOMOTOR	1
1020	13009641	ИЗОЛЯЦИЯ ВОЗДУХОЗАБОРНИКА HAVA KUTUSU YALITIMI	ISOLAMENTO CAIXA DE ENTRADA DE AR	USZCZELKA SKRZYNKI POWIETRZA	1
1040	65300527	СЕРВОПРИВОД STE 4,5 B037/6 SERVOMOTOR STE 4,5 B037/6	ATUADOR STE 4,5 B037/6	SERWOMOTOR STE 4,5 B037/6	1
1041	65326229	СЕРВОДВИГАТЕЛЬ STE 4,5 B0.37/6-L SERVOMOTOR STE 4,5 B0.37/6-L	SERVOMOTOR STE 4,5 B0.37/6-L	SERWOMOTOR STE 4,5 B0.37/6-L	1
1050	13014117	ВОЗДУШНАЯ ЗАСЛОНКА В СБОРЕ DONANIMLI HAVA KARAĞI	CONJUNTO ALETA DE AR	ZASŁONA POWIETRZA Z WYPOSAŻENIEM	1
1051	65326225	ВОЗДУШНАЯ ЗАСЛОНКА В СБОРЕ DONANIMLI HAVA KLAPESI	FLAP DE AR EQUIP.	PRZEPUSTNICA POWIETRZA Z OSPRZĘTEM	1
1060	13011751	ПРУЖИНА СЕРАЯ/ВОЗД. GRI/ HAVA YAYI	MOLA ALETA DE AR (CINZENTA)	RESOR SZARY/ POW	1
1070	65301071	СОЕДИНЕНИЕ В СБОРЕ L320/STE 4,5 B0 DONANIMLI BAĞLANTI L320/STE 4,5 B0	ACOPLAMENTO COMPLETO L320/STE 4,5 B0	SPRZĘGŁO Z OSPRZĘTE L320/STE 4,5 B0	1
1090	13016845	МУФТА ПРОПУСКА ПРОВОДА/КАРТЕР KABLO KANALI/KARTER	PASSA-CABOS/CAIXA	PRZELOTKA PRZEWODU/OBUDOWA	1
1100	65301016	ЧЕХОЛ VECTRON5+ V6 +ВИНТ КРЕПЛЕНИЯ DONANIMLI MUHAFAZA KARAĞI VECTRON5 / V6	EXTRATOR VECTRON5 E V6+PARAFUSO FIXAÇÃO	POKRYWA VECTRON5 I V6 Z OSPRZĘTEM	1
1101	65300519	ВИНТ С ПЛОСКОЙ ГОЛОВКОЙ M5X15 DÜZ BAŞLI VIDA M5X15	PARAFUSO CABEÇA PLANA M5X15	ŚRUBA Z ŁBEM NITOWYM PŁASKIM M5X15	1
1102	13009772	УПЛОТНИТЕЛЬНАЯ ЛЕНТА/КОЖУХ YALITIM BANDI / GÖVDE KAPLAMA	BANDA DE VEDAÇÃO EXAUSTOR	TAŚMA USZCZELNIAJĄCA/POKRYWA	1
1110	13009648	ПРОХОДНАЯ ВТУЛКА ДЛЯ ПРОВОДА KABLO GEÇİRİCİ	PASSA-CABOS	PRZELOT KABLI	1
1120	13020327	СИГНАЛЬНАЯ ЛАМПА İKAZ LAMBASI	LUZ INDICADORA	WZIERNIK	1
1150	65301017	РЕЦИРКУЛЯТОР ВОЗДУХА HAVA GERİ DOENÜŞÜMÜ	RECICLAGEM DE AR	RECYRKULACJA POWIETRZA	1
1160	13015497	ТРУБА Д. 4/7 LG. 500 MM BORU D.4/7 LG. 500 MM	MANGUEIRA D.4/7 C. 500 MM	PRZEWÓD D.4/7 LG. 500 MM	1
1170	13009645	УСТРОЙСТВО РЕЦИРКУЛЯЦИИ ВОЗДУХА (ЧЕРНОЕ) HAVA GERİ DÖNÜŞÜMÜ (SİYAH)	RECICLAGEM DE AR (PRETO)	ODZYSKIWANIE POWIETRZA (CZARNY)	1
	13009646	УСТРОЙСТВО РЕЦИРКУЛЯЦИИ ВОЗДУХА (БЕЛОЕ) HAVA GERİ DÖNÜŞÜMÜ (BEYAZ)	RECICLAGEM DE AR (BRANCO)	ODZYSKIWANIE POWIETRZA (BIAŁY)	1
1180	13009651	ОТБОР ВОЗД. ДАВЛЕНИЯ, ПЕРЕПАД (БЕЛЫЙ) DİFERANSİYEL BASINÇ PRİZİ (BEYAZ)	TORNEIRA DE PRESSÃO DIFERENCIAL (BRANCA)	GNIAZDO CIŚNIEŃ RÓŻNICOWEGO (BIAŁE)	1
1190	13009649	РАБОЧЕЕ КОЛЕСО D240X82 d19 TÜRBİN D240X82 d19	TURBINA D240X82 d19	WIMIK D240X82 d19	1
	65300542	РАБОЧЕЕ КОЛЕСО D215X82 d19 TÜRBİN D215X82 d19	TURBINA D215X82 d19	WIMIK D215X82 d19	1
1200	13020723	КРОНШТЕЙН ПНЕВМОРЕЛЕ D32 HAVA BASINÇ ŞALTERİ MESNEDİ D32	BASE MANÓSTATO AR D32	WSPORNIK CZUJNIKA CIŚNI. POWIET. D32	1
1210	65300991	РЕЛЕ ДАВЛЕНИЯ ВОЗДУХ HUBA 604 1-10MBAR HAVA BASINÇ ŞALTERİ HUBA 604 1-10MBAR	MANÓSTATO DE AR 604 1-10MBAR	CZUJNIK CIŚNIEŃ POWIETR. HUBA 604 1-10	1
	65301048	РЕЛЕ ДАВЛЕНИЯ ВОЗДУХ HUBA 604 5-20MBAR HAVA BASINÇ ŞALTERİ HUBA 5-20MBAR	MANÓSTATO DE AR HUBA 604 5-20MBAR	CZUJNIK CIŚNIEŃ POWIETR. HUBA 5-20MBAR	1
1220	13009654	ДВИГАТЕЛЬ 1,5 кВт 230/400 В D19 + РАЗЪЕМ 1,5KW230/400V D19 MOTOR +PRİZ	MOTOR 1,5KW230/400V D19+PLUGUE	SILNIK 1,5 KW 230/400 V D19+GNIAZDO	1
1510	13009663	ЗАПАЛЬНИК ЕВІ 2X7,5 230 В 2X7,5 230V EBI ATEŞLEYİCİ	ACENDEDOR EBI 2X7,5 230V	ZAPALNIK EBI 2X7,5 230 V	1
1520	13016457	ДЕРЖАТЕЛЬ ПРЕДОХР-ЛЯ + ПРЕДОХР-ЛЬ 6,3 А SİGORTA TAŞIYICI + 6.3A SİGORTA	PORTA-FUSÍVEL+FUSÍVEL 6,3A	OPRAWA BEZPIECZNIKOWA +BEZPIECZNIK 6,3 A	1
1525	13016028	ПРЕДОХРАНИТЕЛЬ 5X20 6.3А SIGORTA 5X20 6.3A	FUSÍVEL 5X20 6,3A	BEZPIECZNIKA 5X20 6.3A	1
1530	13010007	ПЕРЕКЛЮЧАТЕЛЬ ŞALTER	INTERRUPTOR LIGAR/DESLIGAR	PRZEŁĄCZNIK	1
1540	13014009	ПЕРЕКЛЮЧАТЕЛЬ ŞALTER	INTERRUPTOR - FUNCIONAMENTO	PRZEŁĄCZNIK	1
1550	65301109	ДИСПЛЕЙ БЛОК УПРАВЛЕНИЯ TCG-TCH REL. 2.2 EKAN FOR CONTROL UNIT TCG-TCH REL. 2.2	VISOR UNIDADE CONTROLE TCG-TCH REL.2.2	WYŚWIETLACZ / MODUŁ TCG-TCH REL.2.2	1
1560	65300992	ПУЛЬТ УПРАВЛЕНИЯ ПЛАСТИКОВЫЙ İŞLETİM MASASI PLASTİK	PLACA DE CONTROLE PLÁSTICA	PLASTIKOWY PULPIT STEROWNICZY	1
1570	65300993	МУФТА ПРОКЛАДКИ ПРОВОДА D54/D47/D36 KABLO KANALI D54/D47/D36	PASSA-CABOS D54/D47/D36	PRZELOTKA PRZEWODU D54/D47/D36	1

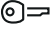

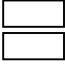
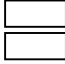
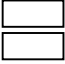

☞	XXXXXXXX	RU	PT	PL	X
		TR			
1580	13009661	ЗАТВОР/ПУЛЬТ TAPA / KONTROL PANELİ	OBTURADOR INTERFACE	PRZEPUSTNICA / PULPIT	1
1600	65301019	КАБЕЛЬ+РАЗЪЕМ РЕЛЕ ДАВЛЕНИЯ ГАЗА KABLOSU + PRİZ / GAZ BASINÇ ŞALT.	CABO+CONECTOR / PRESSOSTATO GÁS	PRZEWÓD+WTYCZKA CZUJNIKA CIŚNI. GAZU	1
1610	65301020	КАБЕЛЬ+РАЗЪЕМ ГАЗОВОГО КЛАПАНА KABLOSU + PRİZ / GAZ VANASI	CABO+CONECTOR / VÁLVULA DE GÁS	PRZEWÓD+WTYCZKA ZAWORU GAZOW.	1
1620	65300997	КАБЕЛЬ / ТРАНСФОРМЕР РОЗЖИГА KABLOSU / ATEŞLEME TRAFO.	CABO/ACENDEDOR	PRZEWÓD+GNIAZDO/APARAT ZAPŁONOWY	1
1630	65300158	КАБЕЛЬ ИОНИЗАЦИОННЫЙ İYONLAŞMA SONDASI KABLOSU	CABO DE IONIZAÇÃO+CONECTOR	PRZEWÓD JONIZACYJNEJ	1
1650	65301000	КАБЕЛЬ L560+РАЗЪЕМ 4-ПОЛЮС/ДВИГАТЕЛЬ L560 KABLO +PRİZ 4P/MOTOR	CABO C.560+CONECTOR 4P/MOTOR	KABEL L560+GNIAZDO 4P/SILNIK	1
1700	65301021	БЛОК УПРАВЛЕНИЯ TCG 511.00 (R2.2) KUTU TCG 511.00	UNIDADE DE CONTROLE TCG 511.00	MODUŁ TCG 511.00	1
1800	13009778	КОНТАКТОР KONTAKTÖR	CONTATOR	KONTAKTOR	1
1810	13020693	ТЕПЛОВОЕ РЕЛЕ TERMİK ROELE	RELÉ TÉRMICO	PRZEKAŹNIK TERMICZNY	1
2100	65301005	АРМАТУРА ГАЗОПРОВОДА T1/KN DONANIMLI GAZ HATTI T1/KN	LINHA DE GÁS COMPLETA T1/KN	UKŁAD CIŚNIENIA GAZU Z WYPOS. T1/KN	1
	65301006	АРМАТУРА ГАЗОПРОВОДА T2/KL DONANIMLI GAZ HATTI T2/KL	LINHA DE GÁS COMPLETA T2/KL	UKŁAD CIŚNIENIA GAZU Z WYPOS. T2/KL	1
	65301007	АРМАТУРА ГАЗОПРОВОДА T3/KM DONANIMLI GAZ HATTI T3/KM	TUBO DE GÁS COMPLETO T3/KM	UKŁAD CIŚNIENIA GAZU Z WYPOS. T3/KM	1
2110	65301008	ДЕФЛЕКТОР Ø125/40-9FD DEFLEKTOER Ø125/40-9FD	GERADOR DE TURBULÊNCIA Ø125/40-9FD	DEFLEKTOR Ø125/40-9FD	1
2111	65301270	ДЕРЖАТЕЛЬ ДЕФЛЕКТОР DESTEĞİ DEFLEKTOR	SUPORTE PLACA DEFLETORA	WSPORNIK DEFLEKTOR	1
2112	65301009	УЗЕЛ ЗАГЛУШКА НА ГАЗОВОМ ДИФФУЗОРЕ GAZ DIFÜZOER ÜZERİNDE TAPA GRUBU	CONJUNTO OBTURADORES GÁS	ZESPÓŁ ZAŚLEPKA NA DYSZY GAZU	1
2115	65301269	УЗЕЛ ДИФФУЗОРА DIFÜZOERÜ GRUBU	TUBO GÁS (CURTO)+OBTURADOR	ZESPÓŁ DYSZA	1
2116	65301144	ГАЗОВЫЕ ДИФФУЗОРЫ GAZ DIFÜZOERLER	TUBO GÁS (LONGO)+OBTURADORES	DYSZ GAZU	1
2120	13009726	БЛОК ЭЛЕКТРОДОВ ELEKTROT BLOĞU	BLOCO DE ELÉTRÓDOS	BLOKADA ELEKTROD	1
2130	13010049	ВИНТ С БУРТИКОМ M4/БЛОК ЭЛЕКТРОДОВ M4 OMUZLU VIDA/ELEKTROT BLOĞU	PARAFUSO M4/BLOCO DE ELÉTRÓDOS	ŚRUBA M4/BLOKADA ELEKTROD	1
2131	13009725	ПРУЖИН. ЗАЖИМ / БЛОК ЭЛЕКТРОДОВ ELEKTROT BLOĞU/YAY FLANŞI	FLANGE DE MOLA/BLOCO DE ELÉTRÓDOS	KOŁNIERZ RESORU/BLOKADA ELEKTROD	1
2140	13009622	ДЕРЖАТЕЛЬ ЭЛЕКТРОДОВ ELEKTROD MESNEDİ	SUPORTE ELÉTRODO	WSPORNIK ELEKTROD	1
2150	13018547	ДАТЧИК SONDA	SONDA	SONDA	1
2160	13009635	НАСТРОЕЧНЫЙ СТЕРЖЕНЬ LG.344 LG.344 AYARLAMA ÇUBUĞU	HASTE DE REGULAÇÃO COMP.344	TRZPIEŃ DO REGULACJI LG.344	1
	13009636	НАСТРОЕЧНЫЙ СТЕРЖЕНЬ LG.564 LG.564 AYARLAMA ÇUBUĞU	HASTE DE REGULAÇÃO COMP.564	TRZPIEŃ DO REGULACJI LG.564	1
	13009637	НАСТРОЕЧНЫЙ СТЕРЖЕНЬ LG.454 LG.454 AYARLAMA ÇUBUĞU	HASTE DE REGULAÇÃO COMP.454	TRZPIEŃ DO REGULACJI LG.454	1
2170	65301011	КАБЕЛЬ ЗОНДА D.4-D.6,35 LG.850 SONDA KABLOSU D.4-D.6,35 LG.850	CABO SONTA D.4-D.6,35 C.850	PRZEWÓD SONDY D.4-D.6,35 LG.850	1
	65301012	КАБЕЛЬ ЗОНДА D.4-D.6,35 LG.1050 SONDA KABLOSU D.4-D.6,35 LG.1050	CABO SONTA D.4-D.6,35 C.1050	PRZEWÓD SONDY D.4-D.6,35 LG.1050	1
2180	13009624	НАБОР ЗАПАЛЬНЫХ ПРОВОДОВ, ДЛ. 1050 ММ LG.1050MM ATEŞLEME KABLOLARI TAKIMI	CONJUNTO CABOS DE IGNIÇÃO COMP.1050MM	KOMPLET KABLI ZAPALNIKA LG.1050 MM	1
	13010059	УЗЕЛ РОЗЖИГОВЫЙ КАБЕЛЬ L850 ATEŞLEME KABLOSU GRUBU L850	CONJUNTO CABOS DE IGNIÇÃO C.850	ZESPÓŁ PRZEWÓD ZAPŁONOWY L850	1
2185	13009630	ГАЗОВЫЕ ДИФФУЗОРЫ GAZ DIFUZORLER	DIFUSOR GÁS	DYSZ GAZU	1
2188	13009632	ГАЗОВОЕ КОЛЕНО LG. 173 LG.173 GAZ DİRSEĞİ	COTOVELO GÁS COMP.173	KOLANKO GAZ. LG.173	1
	13009633	ГАЗОВОЕ КОЛЕНО LG. 393 LG.393 GAZ DİRSEĞİ	COTOVELO GÁS COMP.393	KOLANKO GAZ. LG.393	1
	13009634	ГАЗОВОЕ КОЛЕНО LG. 283 LG.283 GAZ DİRSEĞİ	COTOVELO GÁS COMP.283	KOLANKO GAZ. LG.283	1
2190	13009631	УПЛОТН. КОЛЬЦО D.55X4 D.55X4 O'RING	O-RING D.55X4	O'RING D.55X4	1
2195	13009638	УДЛИНИТЕЛЬ НАСТРОЕЧНОГО СТЕРЖНЯ AYAR ÇUBUĞU UZATMASI	EXTENSÃO HASTE DE REGULAÇÃO	PRZEDŁUŻACZ TRZPIENIA DO REGULACJI	1
2200	65301013	СОПЛО ГОРЕЛКИ D170/141/125 L305 POS.26° BRÜLÖR BORUSU D170/141/125 L305 POS.26°	TUBO QUEIMADOR D170/141/125 L305 POS.26°	RURA PALNIKA D170/141/125 L305 POS.26°	1

					
	65301014	СОПЛО ГОРЕЛКИ D170/141/125 L525 POS.26° BRÜLÖR BORUSU D170/141/125 L525 POS.26°	TUBO QUEIMADOR D170/141/125 L525 POS.26°	RURA PALNIKA D170/141/125 L525 POS.26°	1
	65301015	СОПЛО ГОРЕЛКИ D170/141/125 L415 POS.26° BRÜLÖR BORUSU D170/141/125 L415 POS.26°	TUBO QUEIMADOR D170/141/125 L415 POS.26°	RURA PALNIKA D170/141/125 L415 POS.26°	1
2210	13007804	ВИНТ М6 (ЛЕВ РЕЗЬБ) КРЕПЛ. ТРУБ ГОРЕЛКИ BRÜLÖR TÜRÜ M6 TESPİT VIDASI(SOLA DÖNÜŞ)	PARAFUSO M6 (PASSO ESQ.) TUBO QUEIMADOR	ŚRUBA M6 (LEWOSKRĘTNA) MOC. RURĘ PALNIKA	1
2300	13009619	УПЛОТНЕНИЕ/ПЕРЕДН ЧАСТЬ КОТЛА 228X220X10 228X220X10 KAZAN CONTASI/ÖN YÜZÜ	JUNTA/FRENTE CALDEIRA 228X220X10	USZCZELKA/ŚCIANA CZOŁ. KOTŁA 228X220X10	1
2330	13023365	ТРУБК.ОТБОРА ДАВЛЕНИЯ В ТОП.КАМЕР LG.195 OCAK TERTİBATI BASINÇ BORUSU LG.195	TUBO PRESSÃO FORNALHA D.6/8 COMP.195	PRZEWÓD CIŚNIENIA W PALEN. D.6/8 LG.195	1
	13023366	ТРУБКА ОТБОРА ДАВЛЕНИЯ ТОП. КАМ. LG.270 OCAK TERTİBATI BASINÇ BORUSU.D.6/8 LG.270	TUBO PRESSÃO FORNALHA D.6/8 COMP.270	PRZEWÓD CIŚNIENIA W PALENI. D.6/8 LG.270	1
2350	13020198	КРЕПЕЖНЫЙ ВИНТ+ГАЙКА M10X70 BORUSU BAĞLANTI VIDASI+SOMUN/M10X70	PARAFUSO DE FIXAÇÃO+PORCAM10X70	ŚRUBA MOCUJĄCA+NĄKRĘTKA/M10X70	1
2360	13016814	КОМПЛЕКТ ШПИЛЬКИ M10X40 VIDASI+SOMUN M10X40	KIT CAVILHAS M10X40	ŚRUBA+NĄKRĘTKA M10X40	1
3005	13011796	ФЛАНЕЦ/КОЛЛЕКТОР CPL. RP2 FLANŞ/KOLEKTÖR CPL. RP2	COLETOR COMPLETO RP2	KOŁNIERZ/KOLEKTOR CPL. RP2	1
	13014011	КОЛЛЕКТОР CPL. RP3/4 CPL. RP3/4 KOLEKTÖR	COLETOR COMPLETO RP3/4	KOLEKTOR CPL. RP3/4	1
	13014012	КОЛЛЕКТОР CPL. RP 1"1/4 CPL. RP 1"1/4 KOLEKTÖR	COLETOR COMPLETO RP 1"1/4	KOLEKTOR CPL. RP 1"1/4	1
3006	13011367	СТАБИЛИЗАТОР + СТОПНОЕ КОЛЬЦО D.60 STABILIZATÖR + CİRCİPS D.60	ESTABILIZADOR+ANÉIS RETENÇÃO D.60	STABILIZATOR+ CİRCİPS D.60	1
3007	13009722	ДАТЧИК ДАВЛЕНИЯ R1/8 R1/8 BASINÇ PRİZİ	TOMADA DE PRESSÃO R1/8	GNIĄZDO CIŚNIENIOWE R1/8	1
3022	13020682	ШТУЦЕР "БАНДЖО" LCK-G1/8-PK4 "BANJO" RAKOR LCK-G1/8-PK4	CONEXÃO "BANJO" LCK-G1/8-PK4	ZŁĄCZE "BANJO" LCK-G1/8-PK4	1
3040	13007859	ФЛАНЕЦ МВ...420 RP2 + РАЗЪЕМ P MB...420 RP2 FLANŞ + P PRİZ	FLANGE MB...420 RP2+PLUGUE P	KOŁNIERZ MB...420 RP2+GNIĄZDO P	1
	13010074	ВПУСКНОЙ ФЛАНЕЦ MB405/407 MB405/407 GİRİŞ FLANŞI	FLANGE DE ENTRADA MB405/407	KOŁNIERZ WEJŚCIA MB405/407	1
	13010085	ВПУСКНОЙ ФЛАНЕЦ MB410/412 MB410/412 GİRİŞ FLANŞI	FLANGE DE ENTRADA MB410/412	KOŁNIERZ WEJŚCIA MB410/412	1
3100	13011113	ГАЗ. КЛ-Н MBVEF407 B01 S30 RP3/4"PL=1,2 MBVEF407 B01 S30 RP3/4"PL=1,2 GAZ VANA.	VÁLV. GÁS MBVEF407 B01 S30 RP3/4"PL=1,2	ZAWÓR GAZ.MBVEF407 B01 S30 RP3/4"PL=1,2	1
	13011720	ГАЗ. КЛ-Н MBVEF412 B01 S30 PL=0,3-PF=1,2 MBVEF412 B01 S30 PL=0,3-PF=1,2 GAZVANASI	VÁLV. GÁS MBVEF412 B01 S30 PL=0,3-PF=1,2	ZAWÓR GAZ.MBVEF412 B01 S30 PL=0,3-PF=1,2	1
	13011725	ГАЗ. КЛ-Н MBVEF420 B01 S10 RP2"+FP MBVEF420 B01 S10 RP2"+FP GAZ VANASI	VÁLVULA GÁS MBVEF420 B01 S10 RP2"+FP	ZAWÓR GAZ. MBVEF420 B01 S10 RP2"+FP	1
3110	13010078	РЕГУЛ ДАВЛ. ГАЗА. GW 150 A5 30—150MB DIN GW 150 A5 30-150MB DIN GAZ MANOSTATI	PRESSOSTATO GÁS GW 150 A5 30-150MB DIN	MANOSTAT POW. GW 150 A5 30-150MB DIN	1
3120	13010083	КАТУШКА DUN № 1105 MBVEF407 N° 1105 MBVEF407 DUN BOBİNİ	BOBINA DUN N.º 1105 MBVEF407	CEWKA DUN NR 1105 MBVEF407	1
	13010084	КАТУШКА DUN № 1205 MBVEF412 N° 1205 MBVEF412 DUN BOBİNİ	BOBINA DUN N.º 1205 MBVEF412	CEWKA DUN NR 1205 MBVEF412	1
	13011726	КАТУШКА DUN № 1215 MBVEF420 N° 1215 MBVEF420 DUN BOBİNİ	BOBINA DUN N.º 1215 MBVEF420	CEWKA DUN NR 1215 MBVEF420	1
3140	13007901	ФИЛЬТРУЮЩИЙ ЭЛЕМЕНТ/МВ...420 FİLTRELEYİCİ ELEMEN /MB...420	ELEMENTO FILTRANTE /MB...420	ELEMENT FILTRUJĄCY /MB...420	1
	13016011	СЕТЧАТЫЙ ФИЛЬТР/МВ...405/407 ELEK FİLTRE /MB...405/407	ELEMENTO FILTRANTE /MB...405/407	FİLTR SİTO /MB...405/407	1
	13016012	ФИЛЬТР. ЭЛЕМЕНТ/МВ...410/412 FİLTRE ELEMENİ /MB...410/412	ELEMENTO FILTRANTE /MB...410/412	ELEMENT FILTRUJĄCY /MB...410/412	1
3150	13022464	ТРУБКА ОТБОРА ДАВЛЕНИЯ ГАЗА MBVEF 407 GAZ BASINÇ BORUSU MBVEF 407+RAKOR.	TUBO DE PRESSÃO GÁS MBVEF407+CONEXÃO	RURA CIŚNIE. GAZU MBVEF 407+ZŁĄCZEM	1
	65300649	ТРУБКА ОТБОРА ДАВЛЕНИЯ ГАЗА MBVEF412 GAZ BASINÇ BORUSU MBVEF412+RAKOR.	TUBO DE PRESSÃO GÁS MBVEF412+CONEXÃO	RURA CIŚNIE. GAZU MBVEF412+ZŁĄCZEM	1
	65300669	ТРУБКА ОТБОРА ДАВЛЕНИЯ ГАЗА MBVEF420 GAZ BASINÇ BORUSU MBVEF420+RAKOR.	TUBO DE PRESSÃO GÁS MBVEF420+CONEXÃO	RURA CIŚNIE. GAZU MBVEF420+ZŁĄCZEM	1
3160	13023188	УГЛОВОЙ ШТУЦЕР DİRSEKLİ RAKOR	CONEXÃO COTOVELO	ZŁĄCZKA TYPU KOLANKO	1
3170	13023187	ШТУЦЕР G1/8 + УПЛОТНЕНИЕ RAKOR G1/8 + CONTA	CONEXÃO G1/8+JUNTA	ZŁĄCZE G1/8 + USZCZELKA	1
3200	65300575	КОМПЛЕКТ ПРОКЛАДОК МВ...407 CONTA KİTİ MB...407	KIT JUNTAS MB...407	ZESTAW USZCZELEK MB...407	1
	65300576	КОМПЛЕКТ ПРОКЛАДОК МВ...412 CONTA KİTİ MB...412	KIT JUNTAS MB...412	ZESTAW USZCZELEK MB...412	1
	65300671	КОМПЛЕКТ УПЛОТНЕНИЙ МВ...420 MB...420 CONTA KİTİ	KIT JUNTAS MB...420	ZESTAW USZCZELEK MB...420	1
3410	13009700	ГАЗ ФИЛЬТР ВНЕШНИЙ RP2 RP2 HARİCİ GAZ FİLTRESİ	FILTRO GÁS EXTERNO RP2	FİLTR GAZ. ZEWNĘTRZNY RP2	1

		RU TR	PT	PL	
	13010092	ВНЕШНИЙ ГАЗОВЫЙ ФИЛЬТР RP1 DIŞ GAZ FİLTRESİ RP1	FILTRO GÁS RP 1	ZEWNĘTRZNY FILTR GAZU RP1	1
3411	13010044	ФИЛЬТР. ЭЛЕМЕНТ RP2 + УПЛОТНЕНИЕ RP2 FİLTRE ELEMANI + CONTA	ELEMENTO FILT. RP2+O-RING	ELEMENT FILT. RP2+USZCZELKA	1
	13010093	ФИЛЬТР. ЭЛЕМЕНТ RP1"-1 1/2" RP1"-1 1/2" FİLTRE ELEMANI	ELEMENTO FILTRANTE RP1"-1 1/2"	ELEMENT FILTRUJĄCY RP1"-1 1/2"	1
4005	65301024	КОЛЛЕКТОР В СБОРЕ RP2 MANIFOLD KMPL. RP2	TUBO ABASTECIMENTO DE GÁS CPL. RP2	KOLEKTOR KOMPL. RP2	1
4006	13011367	СТАБИЛИЗАТОР + СТОПОРНОЕ КОЛЬЦО D.60 STABILIZATÖR + CİRCİLİPS D.60	ESTABILIZADOR+ANÉIS RETENÇÃO D.60	STABILIZATOR+ CİRCİLİPS D.60	1
4007	13009722	ДАТЧИК ДАВЛЕНИЯ R1/8 R1/8 BASINÇ PRİZİ	TOMADA DE PRESSÃO R1/8	GNIAZDO CIŚNIENIOWE R1/8	1
4022	13020682	ШТУЦЕР "БАНДЖО" LCK-G1/8-ПК4 "BANJO" RAKOR LCK-G1/8-ПК4	CONEXÃO "BANJO" LCK-G1/8-ПК4	ZŁĄCZE "BANJO" LCK-G1/8-ПК4	1
4030	13020958	СОЕДИНИТЕЛЬНЫЙ КАБЕЛЬ SKP SKP BAĞLANTI KABLOSU	CABO DE CONEXÃO SKP	KABEL ŁĄCZĄCY SKP	1
4040	65300871	ВПУСКНОЙ ФЛАНЕЦ AGA51 AGA51 GİRİŞ FLANŞI	FLANGE DE ENTRADA AGA51	KOŁNIERZ WEJŚCIA AGA51	1
4100	65311581	ГАЗОВЫЙ КЛАПАН VGD20 5011 RP2" GAZ VANASI VGD20 5011 RP2"	VÁLVULA GÁS VGD20 5011 RP2"	ZAWÓR GAZOWY VGD20 5011 RP2"	1
4102	13020950	ИСП. МЕХАНИЗМ ГАЗ SKP75.003E2 S.КОНЦЕВОЙ KURS SONSUZ SKP75.003E2 GAZ SERVOMOTORU	ATUADOR GÁS SKP75.003E2 S.FIM CURSO	SIŁOWNIK GAZ. SKP75.003E2 S.WYL.KRAŃCOWY	1
4105	13020951	ИСП. МЕХАНИЗМ ГАЗ SKP15.000E2 S.КОНЦЕВОЙ KURS SONSUZ SKP15.000E2 GAZ SERVOMOTORU	ATUADOR GÁS SKP15.000E2 S.FIM CURSO	SIŁOWNIK GAZ. SKP15.000E2 S.WYL.KRAŃCOWY	1
4110	13010078	РЕГУЛ ДАВЛ. ГАЗА. GW 150 A5 30—150MB DIN GW 150 A5 30-150MB DIN GAZ MANOSTATI	PRESSOSTATO GÁS GW 150 A5 30-150MB DIN	MANOSTAT POW. GW 150 A5 30-150MB DIN	1
4150	65301075	ТРУБ. ОТБОРА VGD20 RP2 NC95/210-VG5/6 TUPLU GAZ BASI. VGD20 RP2 NC95/210-VG5/6	TB. PRESSÃO GÁS VGD20 RP2 NC95/210-VG5/6	RURA CIŚNIENI VGD20 RP2 NC95/210-VG5/6	1
4160	13023188	УГЛОВОЙ ШТУЦЕР DIRSEKLI RAKOR	CONEXÃO COTOVELO	ZŁĄCZKA TYPU KOLANKO	1
4170	13009721	ШТУЦЕР, ПРАВЫЙ SAĞ RAKOR	CONEXÃO DIREITA	ZŁĄCZE PRAWIE	1
4200	13011733	КОМП-КТ УПЛОТНЕНИЙ VGG,VGF10/VGD20 RP2 VGG,VGF10/VGD20 RP2 CONTA KİTİ	KIT VEDAÇÕES VGG,VGF10/VGD20 RP2	ZESTAW USZCZELEK VGG,VGF10/VGD20 RP2	1
4410	13009700	ГАЗ ФИЛЬТР ВНЕШНИЙ RP2 RP2 HARİCİ GAZ FİLTRESİ	FILTRO GÁS EXTERNO RP2	FILTR GAZ. ZEWNĘTRZNY RP2	1
4411	13010044	ФИЛЬТР. ЭЛЕМЕНТ RP2 + УПЛОТНЕНИЕ RP2 FİLTRE ELEMANI + CONTA	ELEMENTO FILT. RP2+O-RING	ELEMENT FILT. RP2+USZCZELKA	1
4505	65301022	КОЛЛЕКТОР В СБОРЕ DN65 MANIFOLD KMPL. DN65	TUBO ABASTECIMENTO GÁS COMPLETO DN65	KOLEKTOR KOMPL. DN65	1
4506	13011367	СТАБИЛИЗАТОР + СТОПОРНОЕ КОЛЬЦО D.60 STABILIZATÖR + CİRCİLİPS D.60	ESTABILIZADOR+ANÉIS RETENÇÃO D.60	STABILIZATOR+ CİRCİLİPS D.60	1
4507	13009722	ДАТЧИК ДАВЛЕНИЯ R1/8 R1/8 BASINÇ PRİZİ	TOMADA DE PRESSÃO R1/8	GNIAZDO CIŚNIENIOWE R1/8	1
4522	13020682	ШТУЦЕР "БАНДЖО" LCK-G1/8-ПК4 "BANJO" RAKOR LCK-G1/8-ПК4	CONEXÃO "BANJO" LCK-G1/8-ПК4	ZŁĄCZE "BANJO" LCK-G1/8-ПК4	1
4530	13020958	СОЕДИНИТЕЛЬНЫЙ КАБЕЛЬ SKP SKP BAĞLANTI KABLOSU	CABO DE CONEXÃO SKP	KABEL ŁĄCZĄCY SKP	1
4600	65323661	ГАЗОВЫЙ КЛАПАН VGD40 065 DN65 GAZ VANASI VGD40 065 DN65	VÁLVULA GÁS VGD40 065 DN65	ZAWÓR GAZ. VGD40 065 DN65	1
4602	13020950	ИСП. МЕХАНИЗМ ГАЗ SKP75.003E2 S.КОНЦЕВОЙ KURS SONSUZ SKP75.003E2 GAZ SERVOMOTORU	ATUADOR GÁS SKP75.003E2 S.FIM CURSO	SIŁOWNIK GAZ. SKP75.003E2 S.WYL.KRAŃCOWY	1
4605	13020951	ИСП. МЕХАНИЗМ ГАЗ SKP15.000E2 S.КОНЦЕВОЙ KURS SONSUZ SKP15.000E2 GAZ SERVOMOTORU	ATUADOR GÁS SKP15.000E2 S.FIM CURSO	SIŁOWNIK GAZ. SKP15.000E2 S.WYL.KRAŃCOWY	1
4610	13010078	РЕГУЛ ДАВЛ. ГАЗА. GW 150 A5 30—150MB DIN GW 150 A5 30-150MB DIN GAZ MANOSTATI	PRESSOSTATO GÁS GW 150 A5 30-150MB DIN	MANOSTAT POW. GW 150 A5 30-150MB DIN	1
4650	65301025	ТРУБ. ОТБОРА VGD40 DN65 NC95/210-VG5/6 RAKOR.GAZ BASINÇ BO. DN65 NC95/210-VG5/6	TB. PR.GÁS CPL.VGD40 DN65 NC95/210-VG5/6	RURA CIŚNIENI VGD40 DN65 NC95/210-VG5/6	1
4660	13023188	УГЛОВОЙ ШТУЦЕР DIRSEKLI RAKOR	CONEXÃO COTOVELO	ZŁĄCZKA TYPU KOLANKO	1
4670	13009721	ШТУЦЕР, ПРАВЫЙ SAĞ RAKOR	CONEXÃO DIREITA	ZŁĄCZE PRAWIE	1
4700	13013781	КОМПЛЕКТ УПЛОТНЕНИЙ VGD40 DN65 VGD40 DN65 CONTA KİTİ	KIT VEDAÇÕES VGD40 DN65	ZESTAW USZCZELEK VGD40 DN65	1
4910	13009703	ГАЗ ФИЛЬТР ВНЕШНИЙ DN65 DN65 HARİCİ GAZ FİLTRESİ	FILTRO GÁS EXTERNO DN65	FILTR GAZ. ZEWNĘTRZNY DN65	1
4911	13009704	ГАЗ. ФИЛЬТРУЮЩИЙ ЭЛЕМЕНТ DN65 С УПЛОТН. CONTALI DN65 GAZ FİLTRE ELEMANI	ELEMENTO FILTRANTE GÁS DN65 COM O-RING	ELEMENT FILTRUJĄCY GAZ. DN65 Z USZCZELKA	1

CB-VG5DP (50/60Hz)

Gas burners

①	XXXXXXXXXX				X

К О Н Т А К Т Ы

Distributor in Russia "Teplopartner" LTD
Russia, Krasnodar city, Stasova street,184, office 4
Tel./fax.: 8 (861) 234 23 83, +7 (961) 854 41 24
www.gorelka-kotel.ru info@gorelka-kotel.ru