



SPARE PARTS EXPLODED VIEW GAS BURNERS

Model

CB-VG6DP/TC (50/60Hz)

R8220064-02 - 03/07/2015

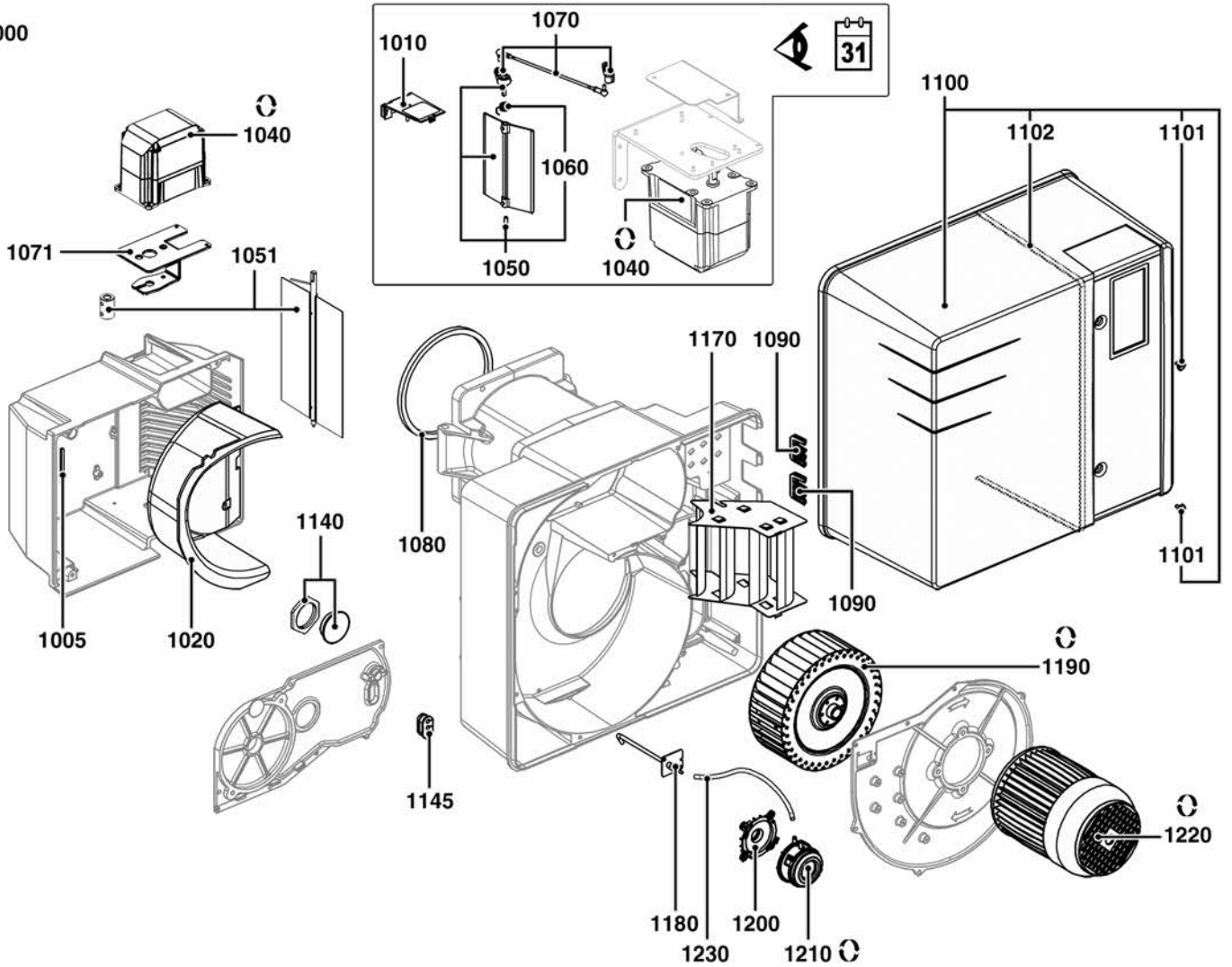
CB-VG6DP/TC (50/60Hz)

Gas burners

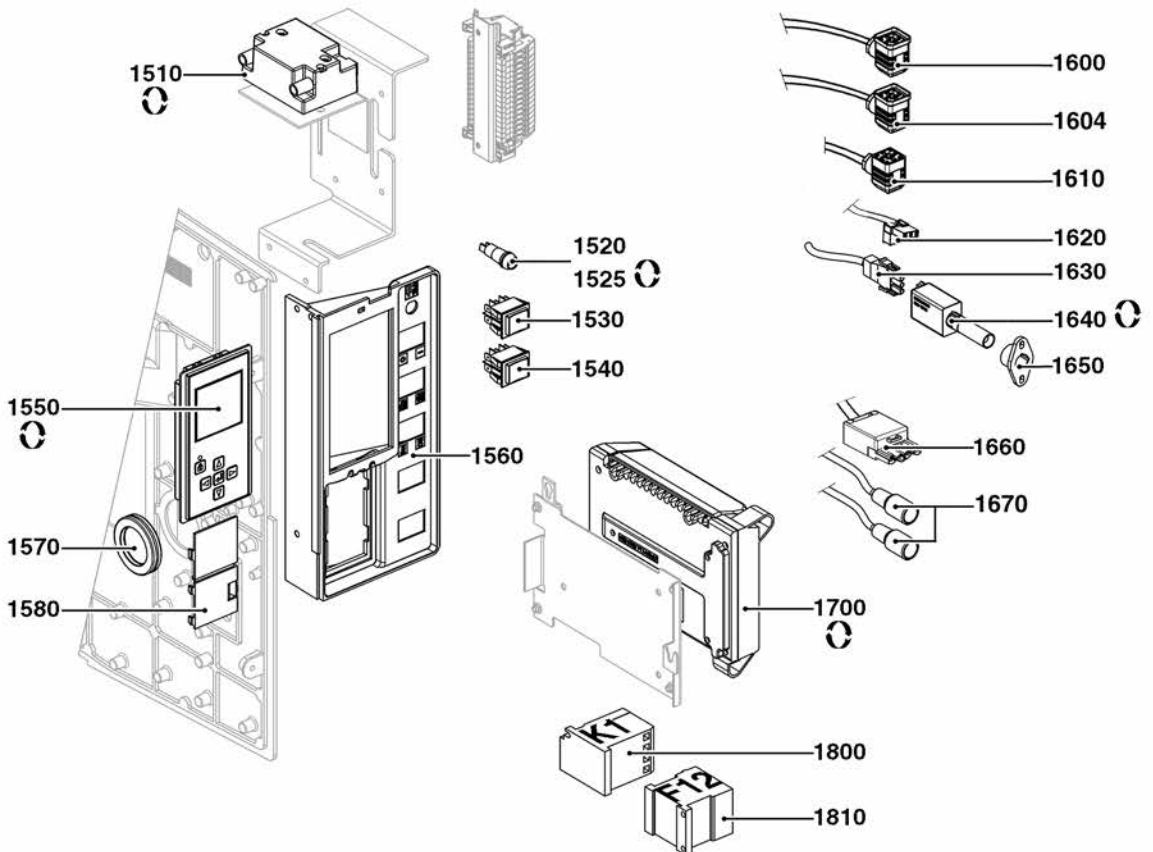
1	3833569	BB-VG6.1600 DP / TC	09-2011	-
2	3833948	BB-VG6.1600 DP / TC 60H	10-2012	-
3	3833570	BB-VG6.2100 DP / TC	09-2011	-
4	3833949	BB-VG6.2100 DP / TC 60H	03-2013	-
5	3833422	CH-G0731-T1/KN	02-2011	-
6	3833484	CH-G0731 - T2/KL	10-2011	-
7	3833615	CH-G0731 - T3/KM	10-2011	-
8	3833486	GT-d334 - 1"1/4-Rp2" /TC	09-2011	-
9	3833487	GT-d335 - 1"1/2-Rp2" /TC	09-2011	-
10	3833490	GT-s317 - 2"-Rp2" /TC	09-2011	-
11	3833489	GT-s316 - 65-DN65 /TC	10-2011	-
12	3833488	GT-s315 - 80-DN80 /TC	11-2011	-

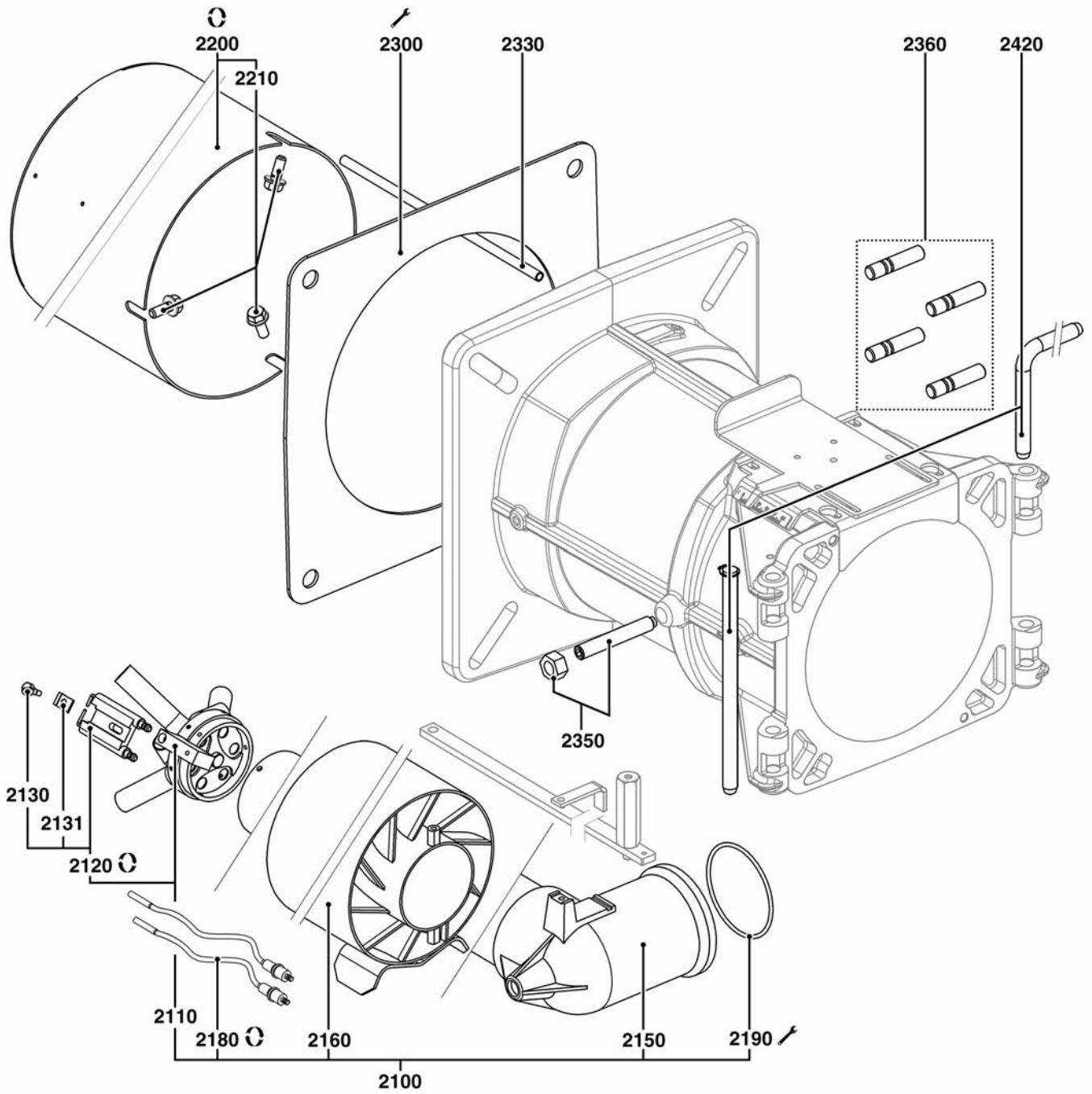
Col	Reference	Model type	Begin	End
-----	-----------	------------	-------	-----

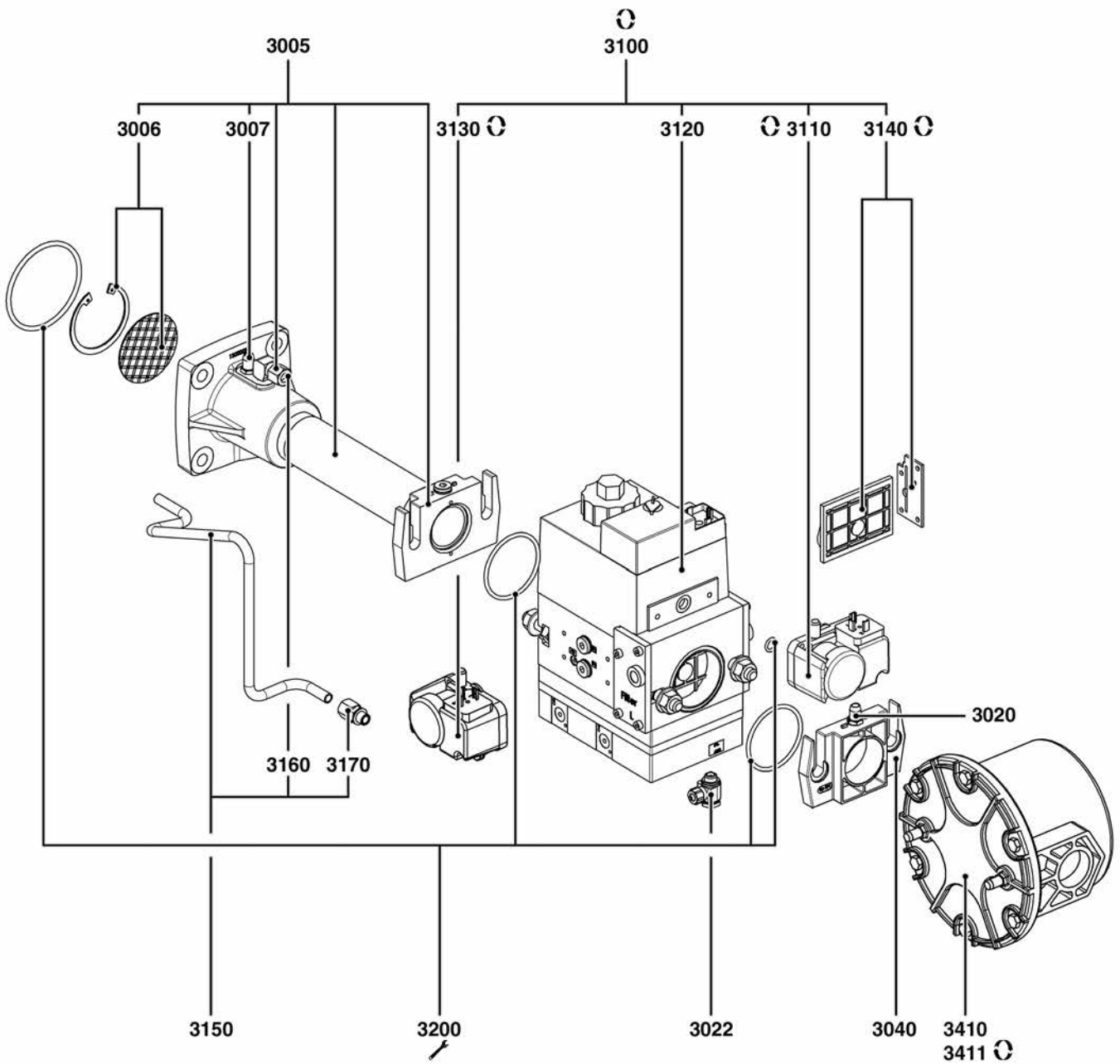
1000



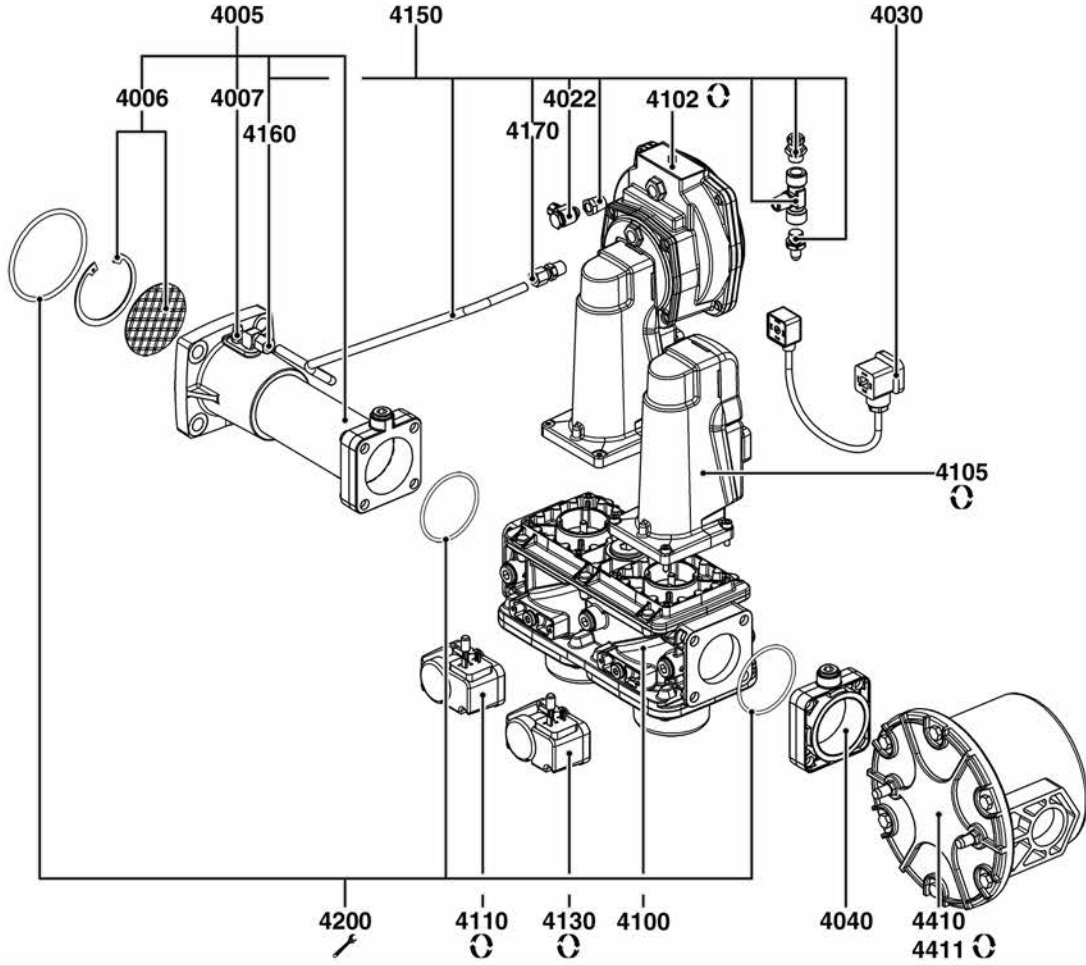
1500



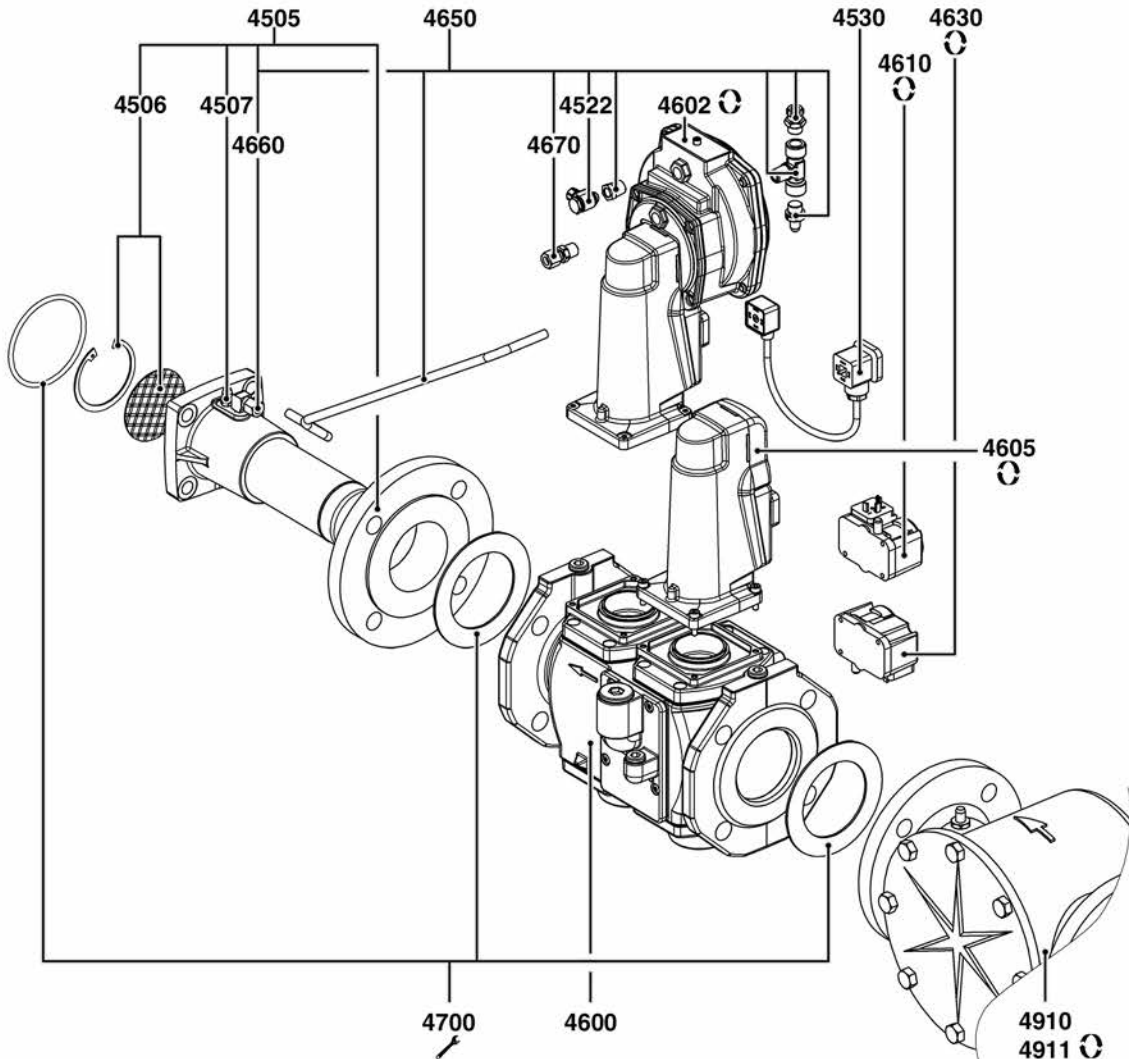




4000



4500



		DE		FR		IT		
		NL		ES				
1005	13009640	DICHTUNG LUFTKASTEN DICHTING LUCHTKAST		JOINT BOITE A AIR JUNTA CAJA DE AIRE		GUARNIZIONE SCATOLA DELL'ARIA		1
1010	13009642	ABDECKUNG LUFTKASTEN DEKSEL LUCHTKAST		COUVERCLE BOITE A AIR TAPA CAJA DE AIRE		COPERCHIO SCATOLA DELL'ARIA		1
1020	13009641	ISOLIERUNG LUFTKASTEN ISOLATIE LUCHTKAST		ISOLATION BOITE A AIR AISLAMIENTO CAJA DE AIRE		ISOLAMENTO SCATOLA DELL'ARIA		1
1040	65301001	STELLANTRIEB STE 4,5 Q3.51/6 R 3NM SERVOMOTOR STE 4,5 B037/6		SERVOMOTEUR STE 4,5 Q3.51/6 R 3NM SERVOMOTOR STE 4,5 B037/6		SERVOMOTORE STE 4,5 Q3.51/6 R 3NM		1
1050	13014117	AUSGERÜSTETE LUFTKLAPPE VOLLEDIGE LUCHTKLEP		VOLET D'AIR EQUIPE REJILLA DE AIRE EQUIPADA		SERRANDA DELL'ARIA EQUIPAGGIATA		1
1051	65326227	KOMPL. LUFTKLAPPE COMPLETE LUCHTKLEP		VOLET D'AIR EQUIPE VÁLVULA DE AIRE EQUIPADA		SERRANDA DELL'ARIA EQUIPAGGIATA		1
1060	13011751	GRAUE FEDER/ LUFT VEER GRIJS/ LUCHT		RESSORT GRIS/ AIR RESORTE GRIS/ AIRE		MOLLA GRIGIA/ ARIA		1
1070	65301070	UEBERTRAGUNGSTANGE BG+WINKELGELENK COMPLETE KOPPELING		ACCOUPLLEMENT EQUIPE ACOPLAMIENTO EQUIPADO		ACCOPPIAMENTO EQUIPAGGIATO		1
1071	65326226	STELLANTRIEBHALTER STEUN REGELMOTOR		SUPPORT SERVOMOTEUR SOPORTE SERVOMOTOR		SUPPORTO SERVOMOTORE		1
1080	13010055	GEHÄUSEDICHTUNG DICHTING CARTER		JOINT CARTER JUNTA CÁRTER		GUARNIZIONE CARTER		1
1090	13016845	KABELDURCHFUEHRUNG/GEHAEUSE DRAADDOORVOER/BRANDERHUIS		PASSE FIL/CARTER PASACABLES/CÁRTER		PASSAFILO/ CARTER		1
1100	65301016	BRENNERHAUBE VECTRON5 U. V6 KPL. COMPLETE KAP VECTRON5 EN V6		CAPOT VECTRON5 ET V6+VIS CUBIERTA VECTRON5 Y V6 EQUIPADA		COFANO V5 E V6 EQUIPAGGIATO		1
1101	65300519	FLACHKOPFSCHRAUBE M5X15 PLATKOPFSCHROEF M5X15		VIS A TETE PLATE M5X15 TORNILLO DE CABEZA PLANA M5X15		VITE A TESTA PIANA M5X15		1
1102	13009772	DICHTBAND / HAUBE DICHTINGSSTRIP / BRANDERKAP		BANDE D'ETANCHEITE / CAPOT BANDA ESTANQUEIDAD / CUBIERTA		NASTRO SIGILLANTE/ COPERTURA		1
1140	13010008	SCHAUGLAS KIJKGLAS		VERRE DE REGARD VISOR		VISORE DI CALDAIA		1
1145	13009648	KABELDURCHFÜHRUNG DRAADGELEIDER		PASSE FIL PASACABLES		PASSA FILO		1
1170	13009748	LUFTGLEICHRICHTER LUCHTRECICLAGE		REDRESSEUR D'AIR RECTIFICADOR DE AIRE		RADDRIZZATORE D'ARIA		1
1180	13009738	DRUCKANSCHLUSS DRUKAANSLUITING		PRISE DE PRESSION TOMA DE PRESIÓN		PRESA DI PRESSIONE		1
1190	13009649	VENTILATORRAD D240X82 d19 VENTILATORRAD D240X82 d19		TURBINE D240X82 d19 TURBINA D240X82 d19		VENTOLA D240X82 d19		1
	13009736	LÜFTERRAD D240X114 d24 VENTILATOR D240X114 d24		TURBINE D240X114 d24 TURBINA D240X114 d24		TURBINA D240X114 d24		1
	13009737	LÜFTERRAD D250X114 d24 VENTILATOR D250X114 d24		TURBINE D250X114 d24 TURBINA D250X114 d24		TURBINA D250X114 d24		1
1200	13020723	HALTER LUFTDRUCKWAECHTER D32 STEUN MANOSTAAT HUBA D32		SUPPORT MANOSTAT AIR D32 SOPORTE DEL MANOSTATO DE AIRE D32		SUPPORTO PRESSOSTATO DELL'ARIA D32		1
1210	65300991	LUFTDRUCKWAECHTER HUBA 604 1-10MBAR LUCHTDrukBEWAKER HUBA 604 1-10MBAR		MANOSTAT HUBA 604 1-10MBAR PRESSOSTATO AIRE HUBA 604 1-10MBAR		MANOSTATO HUBA 604 1-10MBAR		1
1220	13009654	MOTOR 1,5KW230/400V D19+STECKER MOTOR 1,5KW 230/400V D19 + STEKKER		MOTEUR 1,5KW230/400V D19+PRISE MOTOR 1,5KW230/400V D19+TOMA		MOTORE 1,5KW230/400V D19+PRESA		1
	13009739	MOTOR 2,2KW230/400V D24+STECKER MOTOR 2,2KW230/400V D24+STEKKER		MOTEUR 2,2KW230/400V D24+PRISE MOTOR 2,2KW230/400V D24+TOMA		MOTORE 2,2KW230/400V D24+PRESA		1
	13009740	MOTOR 2,5KW230/400V D24+STECKER MOTOR 2,5KW230/400V D24+STEKKER		MOTEUR 2,5KW230/400V D24+PRISE MOTOR 2,5KW230/400V D24+TOMA		MOTORE 2,5KW230/400V D24+PRESA		1
1510	13009663	ZÜNDVORRICHTUNG EBI 2X7,5 230V ONTSTEKER EBI 2X7,5 230V		ALLUMEUR EBI 2X7,5 230V DISP. ENCENDIDO EBI 2X7,5 230V		ACCENDITORE EBI 2X7,5 230V		1
1520	13016457	SICHERUNGHALTER+SICHERUNG 6.3A ZEKERINGHOUDER+ZEKERING 6,3A		PORTE FUSIBLE+FUSIBLE 6.3A PORTA FUSIBLE+FUSIBLE 6.3A		PORTAFUSIBILE + FUSIBILE 6.3A		1
1525	13016028	FEINSICHERUNG 5X20 6,3 A (TRAEGE) ZEKERING 5X20 6.3A		FUSIBLE 5X20 6.3A (CALIBRE) FUSIBLE 5X20 6.3A		FUSIBILE 5X20 6.3A		1
1530	13010007	SCHALTER EIN/AUS SCHAKELAAR ON/OFF		INTERRUPTEUR MARCHE/ARRET INTERRUPTOR		INTERRUTTORE ON/OFF		1
1540	13014009	BETRIEBSSCHALTER SCHAKELAAR - BEDRIJF		INTERRUPTEUR - FONCTIONNEMENT INTERRUPTOR		INTERRUTTORE - FUNZIONAMENTO		1
1550	65301109	ANZEIGE FÜR AUTOMAT. TCG-TCH REL.2.2 DISPLAY V. BRANDERAUTOM.TCG-TCH REL.2.2		AFFICHEUR POUR COFFRET TCG-TCH REL. 2.2 PANTALLA P. PROGRAMAD. TCG-TCH REL.2.2		DISPLAY PER APPARECCHIA.TCG-TCH REL.2.2		1
1560	65300992	BEDIENFELD KUNSTSTOFF PLASTIC BEDIENINGSPANEEL		PUPITRE DE COMMANDE PLASTIQUE PUPITRE DE MANDO PLÁSTICO		QUADRO DI COMANDO PLASTICO		1
1570	65300993	KABELDURCHFUEHRUNG D54/D47/D36 DRAADDOORVOER D54/D47/D36		PASSE FIL D54/D47/D36 PASACABLE D54/D47/D36		PASSA FILO D54/D47/D36		1
1580	13009661	VERSCHLUSS / BEDIENFELD AFSLUITER / BEDIENINGSPANEEL		OBTURATEUR / PUPITRE OBTURADOR / TABLERO		OTTURATORE / QUADRO		1
1600	65301019	KABEL M. STECKER / GASDRUCKWAECHTER KABEL + STEKKER GASDRUKBEWAKER		CABLE + CONNECT. / MANOSTAT GAZ CABLE + TOMA / PRESSOSTATO GAS		CAVO + CONNETT. / MANOSTATO GAS		1

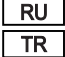
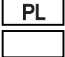

	☰	XXXXXXXXXX	DE	FR	IT	X
			NL	ES		
1604	65301034	KABEL M. STECKER F. GADRUCKWAECHTER KABEL + STEKKER / GASDRUCKBEWAKER	CABLE EQUIPE MANOSTAT GAZ CABLE + TOMA/MANOSTATO DE GAS	CAVO + PRESA / MANOSTATO GAS	1	
1610	65301020	KABEL M. STECKER / GASVENTIL KABEL + STEKKER GASKLEP	CABLE + CONNECT. / VANNE GAZ CABLE+ TOMA/VALVULA GAS	CAVO + CONNETT. / VALVOLA GAS	1	
1620	65300997	KABEL M.STECKER ZUENDTRAFO KABEL + STEKKER / ONTSTEKER	CABLE ALLUMEUR CABLE+TOMA/ENCENDEADOR	CAVO TRASFORMATORE ACCENS.	1	
1630	65301058	KABEL M. STECKER F. IR DETEKTOR KABEL + STEKKER VAN DE IRD FOTOCEL	CABLE EQ.3P.+CABLE/CELLULE IRD CABLE + TOMA/DETECTOR DE LLAMA IRD	CAVO + PRESA/RILEVATORE DI FIAMMA IRD	1	
1640	65301035	FOTUZELLE IRD 1020.1 WEISS AXIAL FOTOCEL IRD 1020.1 WIT AXIAL	CELLULE IRD 1020.1 BLANC AXIAL CELULA IRD 1020.1 BLANCO AXIAL	CELLULA IRD 1020.1 BIANCO AXIAL	1	
1650	13010461	FOTUZELLENHALTER M93 ZU IRD1020.1 STEUN FOTOCEL M93 VOOR IRD1020.1	SUPPORT CELLULE M93 POUR IRD1020.1 SOPORTE M93 DE LA CELULA IRD1020.1	SOSTEGNO RIVELAT. M93 PER IRD1020.1	1	
1660	65301000	KABEL L560+STECKER 4P/MOTOR KABEL L560+STEKKER 4P/MOTOR	CABLE L560+PRISE 4P/MOTEUR CABLE L560+TOMA 4P/MOTOR	CAVO LUNGH. 560MM + PRESA 4 POLI/MOTORE	1	
1670	13009743	ZÜNDKABEL ONTSTEKINGSKABEL	CABLE ALLUMAGE CABLE ENCENDIDO	CAVO ACCENSIONE	1	
1700	65300881	FEUERUNGSAUTOMAT TCG 511.01TC BRANDERAUTOMAAT TCG 511.01TC	COFFRET TCG 511.01TC PROGRAMADOR TCG 511.01TC	APPARECCHIATURA TCG 511.01TC	1	
1800	13009778	SCHALTSCHÜTZ SCHAKELAAR	CONTACTEUR CONTACTOR	CONTATTORE	1	
1810	13009746	MOTORSCHUTZRELAIS LR2K 5.5-8.0A THERMISCH RELAIS LR2K 5,5-8,0A	RELAIS THERMIQUE LR2K 5.5-8.0A RELÉ TÉRMICO LR2K 5.5-8.0A	RELÈ TERMICO LR2K 5.5-8.0A	1	
2100	65301027	STERNGASKOPF KPL. MONTIERT T1/KN GASLIJN COMPLEET T1/KN	LIGNE GAZ EQUIPEE T1/KN LÍNEA DE GAS EQUIPADA T1/KN	LINEA GAS COMPLETA T1/KN	1	
	65301028	STERNGASKOPF KPL. MONTIERT T2/KL GASLIJN COMPLEET T2/KL	LIGNE GAZ EQUIPEE T2/KL LÍNEA DE GAS EQUIPADA T2/KL	LINEA GAS COMPLETA T2/KL	1	
	65301029	STERNGASKOPF KPL. MONTIERT T3/KM GASLIJN COMPLEET T3/KM	LIGNE GAZ EQUIPEE T3/KM LÍNEA DE GAS EQUIPADA T3/KM	LINEA GAS COMPLETA T3/KM	1	
2110	65301030	GASKOPF-SET GAS VERSTUIVEREENHEID	ENSEMBLE TETE GAZ CONJUNTO DIFUSOR DE GAS	GRUPPO TESTA GAS	1	
2120	13009726	ELEKTRODENBLOCK ELEKTRODEBLOK	BLOC-ELECTRODES BLOQUE-ELECTRODOS	BLOCCO ELETTRODI	1	
2130	13010049	ANSATZSCHRAUBE M4/ELEKTRODENBLOCK KRAAGSCHROEF M4/ELEKTRODEBLOK	VIS EPAULEE M4/BLOC-ELECTRODES TORN.ALLEN M4/BLOQUE-ELECTRODOS	VITE CON SPALLAMENTO M4/BLOCCO ELETTRODI	1	
2131	13009725	FEDERBÜGEL/ELEKTRODENBLOCK FLENS VEER/ELEKTRODEBLOK	BRIDE RESSORT/BLOC-ELECTRODES BRIDA RESORTE/BLOQUE-ELECTRODOS	FLANGIA MOLLA/BLOCCO ELETTRODI	1	
2150	65301117	GASROHR LG.506 ELLEBOOG GAS+BUIJS LG.506	COUDE GAZ+TUBE LG.506 CODO GAS LG.506	GOMITO GAS+TUBO LG.506	1	
	65301118	GASROHR LG.706 ELLEBOOG GAS+BUIJS LG.706	COUDE GAZ+TUBE LG.706 CODO GAS LG.706	GOMITO GAS+TUBO LG.706	1	
	65301119	GASROHR LG.606 ELLEBOOG GAS+BUIJS LG.606	COUDE GAZ+TUBE LG.606 CODO GAS LG.606	GOMITO GAS+TUBO LG.606	1	
2160	65301120	DRALLKOERPER WERVELKRANS	TURBULATEUR TURBULENCIADOR	VORTICIZZATORE	1	
2180	13009727	ZÜNDKABEL L950 ONTSTEKINGSKABELS L950	CABLES ALLUMAGE L950 CABLES ENCENDIDO L950	CAVI ACCENSIONE L950	1	
2190	13009731	O-RING D.75X4 O-RING D.75X4	O'RING D.75X4 JUNTA TÓRICA D.75X4	O'RING D.75X4	1	
2200	65301031	FLAMMENROHR D227/157 L380 BRANDERBUIJS D227/157 L380	TUBE DE FLAMME D227/157 L380 TUBO DE LLAMA D227/157 L380	BOCCAGLIO D227/157 L380	1	
	65301032	FLAMMENROHR D227/157 L623 BRANDERBUIJS D227/157 L623	TUBE DE FLAMME D227/157 L623 TUBO DE LLAMA D227/157 L623	BOCCAGLIO D227/157 L623	1	
	65301033	FLAMMENROHR D227/157 L530 BRANDERBUIJS D227/157 L530	TUBE DE FLAMME D227/157 L530 TUBO DE LLAMA D227/157 L530	BOCCAGLIO D227/157 L530	1	
2210	13009723	BEF.SCHRAUBENKIT BRENNERROHR (X3) KIT BEV.SCHROEF BRANDERBUIJS (X3)	KIT VIS FIX. TUBE BRULEUR (X3) KIT TORN.FIJ. TUBO QUEMADOR (X3)	KIT VITI FISS. TUBO BRUCIATORE (X3)	1	
2300	13009719	DICHTUNG/KESSELÜR 326X335X3 DICHTING KLINGERIT 326X335X3	JOINT/FAÇADE CHAUDIERE 326X335X3 JUNTA/FRENTE CALDERA 326X335X3	GUARN./LATO FRONTALE CALDAIA 326X335X3	1	
2330	65300252	DRUCKROHR/FEUERRAUM LG. 250MM BUIJS KAMERDRUK LG. 250MM	TUBE PRESSION FOYER LG. 250MM TUBO DE PRESIÓN DEL HOGAR LG. 250MM	TUBO PRESSIONE CAMERA LG. 250MM	1	
	65300597	DRUCKROHR/FEUERRAUM LG. 350MM BUIJS KAMERDRUK LG. 350MM	TUBE PRESSION FOYER LG. 350MM TUBO DE PRESIÓN DEL HOGAR LG. 350MM	TUBO PRESSIONE CAMERA LG. 350MM	1	
2350	65300854	BEFESTIGUNGSSCHRAUBE+MUTTER M12X80 BEVESTIGINGSSCHROEF+MOER M12X80	VIS DE FIXATION+ECROU M12X80 TORNILLO DE FIJACIÓN+TUERCA M12X80	VITE DI FISSAGGIO+DADO M12X80	1	
2360	13022998	STEBOLZEN-SET M12X40+MUTTER SET TAPEINDEN M12X40+MOER	KIT GOIJONS M12X40+ECROU KIT PASADORES M12X40+TUERCA	SET PRIGIONIERI M12X40+DADO	1	
2420	13009724	ACHSENKIT KIT ASSEN	KIT AXES KIT EJES	KIT ASSI	1	
3005	13014122	MONTIERTER KOLLEKTOR RP 1"1/4 COLLECTOR GEMONTEERD RP 1"1/4	COLLECTEUR MONTE RP 1"1/4 COLECTOR MONTADO RP 1"1/4	COLLETTORE MONTATO RP 1"1/4	1	
	13014128	MONTIERTER KOLLEKTOR RP 2 COLLECTOR GEMONTEERD RP 2	COLLECTEUR MONTE RP 2 COLECTOR MONTADO RP 2	COLLETTORE MONTATO RP 2	1	

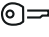


		DE		FR		IT		
		NL		ES				
3006	13011367	STABILISATOR+SICHERUNGSRING D.60 STABILISATOR+ BORGVEREN D.60		STABILISATEUR+ CIRCLIPS D.60 ESTABILIZADOR+ ANILLO DE RETÉN D.60		STABILIZZATORE+ANELLI ELASTICI D.60		1
3007	13009722	MESSNIPPEL R1/8 DRUKAANSLUITING R1/8		PRISE PRESSION R1/8 TOMA PRESIÓN R1/8		PRESA PRESSIONE R1/8		1
3022	13020682	SCHWENKVERSCHRAUBUNG LCK-G1/8-PK4 "BANJO" AANSLUITING LCK-G1/8-PK4		RACCORD BANJO LCK-G1/8-PK4 RACOR TIPO "BANJO" LCK-G1/8-PK4		RACCORDO "BANJO" LCK-G1/8-PK4		1
3040	13007859	FLANSCH MB...420 RP2+STECKER P FLENS MB...420 RP2+DRUKAANSL.		BRIDE MB...420 RP2+PRISE P BRIDA MB...420 RP2+TOMA P		FLANGIA MB...420 RP2+PRESA P		1
	13010085	EINGANGSFLANSCH MB410/412 AANSLUITFLENS MB410/412		BRIDE D'ENTRÉE MB410/412 BRIDA ENTRADA MB410/412		FLANGIA INGRESSO MB410/412		1
3100	65301036	GASVENTIL MBVEF412 B01 S32 RP1"1/4 GASKLEP MBVEF412 B01 S32 RP1"1/4		VANNE GAZ MBVEF412 B01 S32 RP1"1/4 VALVULA GAS MBVEF412 B01 S32 RP1"1/4		VALVOLA GAS MBVEF412 B01 S32 RP1"1/4		1
	65301037	GASVENTIL MBVEF420 B01 S32 RP2" GASKLEP MBVEF420 B01 S32 RP2"		VANNE GAZ MBVEF420 B01 S32 RP2" VALVULA GAS MBVEF420 B01 S32 RP2"		VALVOLA GAS MBVEF420 B01 S32 RP2"		1
3110	13010078	GASDRUCKWÄCHTER GW 150 A5 30-150MB DIN GASDRUKREGELAAR GW 150 A5 30-150MB DIN		MANOSTAT GAZ GW 150 A5 30-150MB DIN MANOSTATO GAS GW 150 A5 30-150MB DIN		PRESSOSTATO GAS GW 150 A5 30-150MB DIN		1
3120	13010084	SPULE DUN N° 1205 MBVEF412 SPOEL DUN NR. 1205 MBVEF412		BOBINE DUN N° 1205 MBVEF412 BOBINA DUN N° 1205 MBVEF412		BOBINA DUN N° 1205 MBVEF412		1
	13011726	SPULE DUN N° 1215 MBVEF420 SPOEL DUN NR. 1215 MBVEF420		BOBINE DUN N° 1215 MBVEF420 BOBINA DUN N° 1215 MBVEF420		BOBINA DUN N° 1215 MBVEF420		1
3130	65323019	GASDRUCKWÄCHTER GW 50 A5 2,5-50MB GASDRUKSCHAKELAAR GW 50 A5 2,5-50MB		MANOSTAT GAZ GW 50 A5 2,5-50MB PRESOSTATO GAS GW 50 A5 2,5-50MB		PRESSOSTATO GAS GW 50 A5 2,5-50MB		1
3140	13007901	FILTERELEMENT /MB...420 FILTERELEMENT /MB...420		ELEMENT FILTRANT /MB...420 ELEMENTO FILTRANTE /MB...420		ELEMENTO FILTRANTE /MB...420		1
	13016012	FILTERELEMENT /MB...410/412 FILTERELEMENT /MB...410/412		ELEMENT FILTRANT /MB...410/412 ELEMENTO FILTRANTE /MB...410/412		ELEMENTO FILTRANTE /MB...410/412		1
3150	65300649	DRUCKABNAHMEROHR MBVEF412 GASDRUKBUIS MBVEF412+AANSLUITING		TUBE PRESSION GAZ MBVEF412+RACCORD TUBO DE PRESIÓN GAS MBVEF412+EMPALME		TUBO DELLA PRESSIONE GAS MBVEF412		1
	65300669	DRUCKABNAHMEROHR MBVEF420 GASDRUKBUIS MBVEF420+AANSLUITING		TUBE PRESSION GAZ MBVEF420+RACCORD TUBO DE PRESIÓN GAS MBVEF420+EMPALME		TUBO DELLA PRESSIONE GAS MBVEF420		1
3160	13023188	WINKELVERSCHRAUBUNG GEBOGEN AANSLUITING		RACCORD COUDE RACOR ACODADO		RACCORDO A GOMITO		1
3170	13023187	VERSCHRAUBUNG G1/8 + DICHTUNG AANSLUITING G1/8 + AFDICHTING		RACCORD G1/8+JOINT RACOR G1/8 + JUNTA		RACCORDO G1/8 + GUARNIZIONE		1
3200	65300576	O'RING SET MB...412 PAKKINGSET MB...412		KIT JOINTS MB...412 KIT DE JUNTAS MB...412		KIT GUARNIZIONI MB...412		1
	65300671	DICHTUNGSKIT MB...420 DICHTINGSKIT MB...420		KIT JOINTS MB...420 KIT JUNTAS MB...420		KIT GUARNIZIONI...420		1
3410	13009700	EXTERNER GASFILTER RP2 FILTER GAS EXTERN RP2		FILTRE GAZ EXTERNE RP2 FILTRO GAS EXTERNO RP2		FILTRO GAS ESTERNO RP2		1
3411	13010044	FILTERELEMENT RP2+DICHTUNG FILTERELEMENT RP2+DICHTING		ELEMENT FILT. RP2+JOINT ELEMENTO FILT. RP2+JUNTA		ELEMENTO FILT. RP2+GUARNIZIONE		1
4005	65301024	GASANSCHLUSSROHR RP2 GASAANSLUITBUIS CPL. RP2		COLLECTEUR COMPLET RP2 COLECTOR GAS CPL RP2		COLLETTORE RP2		1
4006	13011367	STABILISATOR+SICHERUNGSRING D.60 STABILISATOR+ BORGVEREN D.60		STABILISATEUR+ CIRCLIPS D.60 ESTABILIZADOR+ ANILLO DE RETÉN D.60		STABILIZZATORE+ANELLI ELASTICI D.60		1
4007	13009722	MESSNIPPEL R1/8 DRUKAANSLUITING R1/8		PRISE PRESSION R1/8 TOMA PRESIÓN R1/8		PRESA PRESSIONE R1/8		1
4022	13020682	SCHWENKVERSCHRAUBUNG LCK-G1/8-PK4 "BANJO" AANSLUITING LCK-G1/8-PK4		RACCORD BANJO LCK-G1/8-PK4 RACOR TIPO "BANJO" LCK-G1/8-PK4		RACCORDO "BANJO" LCK-G1/8-PK4		1
4030	13020958	ANSCHLUSSKABEL SKP VERBINDINGSKABEL SKP		CABLE DE LIAISON SKP CABLE DE CONEXIÓN SKP		CAVO DI COLLEGAMENTO SKP		1
4040	65300871	EINGANGSFLANSCH AGA51 AANSLUITFLENS AGA51		BRIDE D'ENTRÉE AGA51 BRIDA ENTRADA AGA51		FLANGIA INGRESSO AGA51		1
4100	65311581	GASVENTIL VGD20 5011 RP2" GASKLEP VGD20 5011 RP2"		VANNE GAZ VGD20 5011 RP2" VALVULA GAS VGD20 5011 RP2"		VALVOLA GAS VGD20 5011 RP2"		1
4102	13020950	SERVOMOT. GAS SKP75.003E2 O.ENDSCHALTER SERVOMOT. GAS SKP75.003E2 Z.EINDSCHAK.		SERVOMOT. GAZ SKP75.003E2 S.FIN COURSE SERVOMOT. GAS SKP75.003E2 S.TOPE		SERVOMOT. GAS SKP75.003E2 S.FINECORSA		1
4105	13020951	SERVOMOT. GAS SKP15.000E2 O.ENDSCHALTER SERVOMOT. GAS SKP15.000E2 Z.EINDSCHAK.		SERVOMOT. GAZ SKP15.000E2 S.FIN COURSE SERVOMOT. GAS SKP15.000E2 S.TOPE		SERVOMOT. GAS SKP15.000E2 S.FINECORSA		1
4110	13010078	GASDRUCKWÄCHTER GW 150 A5 30-150MB DIN GASDRUKREGELAAR GW 150 A5 30-150MB DIN		MANOSTAT GAZ GW 150 A5 30-150MB DIN MANOSTATO GAS GW 150 A5 30-150MB DIN		PRESSOSTATO GAS GW 150 A5 30-150MB DIN		1
4130	65323019	GASDRUCKWÄCHTER GW 50 A5 2,5-50MB GASDRUKSCHAKELAAR GW 50 A5 2,5-50MB		MANOSTAT GAZ GW 50 A5 2,5-50MB PRESOSTATO GAS GW 50 A5 2,5-50MB		PRESSOSTATO GAS GW 50 A5 2,5-50MB		1
4150	65301075	GASDRUCKROHR VGD20 RP2 NC95/210-VG5/6 GASDRUKBUIS VGD20 RP2 NC95/210-VG5/6		TUBE PRES.GAZ VGD20 RP2 NC95/210-VG5/6 TUBO PR. GAS VGD20 RP2 NC95/210-VG5/6		TUBO PRES.GAS VGD20 RP2 NC95/210-VG5/6		1
4160	13023188	WINKELVERSCHRAUBUNG GEBOGEN AANSLUITING		RACCORD COUDE RACOR ACODADO		RACCORDO A GOMITO		1
4170	13009721	GERADES ANSCHLUSSSTÜCK VERBINDING RECHT		RACCORD DROIT EMPALME RECTO		RACCORDO DESTRO		1
4200	13011733	DICHTUNGSKIT VGG,VGF10/VGD20 RP2 DICHTINGSKIT VGG,VGF10/VGD20 RP2		KIT JOINTS VGG,VGF10/VGD20 RP2 KIT JUNTAS VGG,VGF10/VGD20 RP2		KIT GUARNIZIONI VGG,VGF10/VGD20 RP2		1

☞	XXXXXXXX	DE	FR	IT	X
		NL	ES		
4410	13009700	EXTERNER GASFILTER RP2 FILTER GAS EXTERN RP2	FILTRE GAZ EXTERNE RP2 FILTRO GAS EXTERNO RP2	FILTRO GAS ESTERNO RP2	1
4411	13010044	FILTERELEMENT RP2+DICHTUNG FILTERELEMENT RP2+DICHTING	ELEMENT FILT. RP2+JOINT ELEMENTO FILT. RP2+JUNTA	ELEMENTO FILT. RP2+GUARNIZIONE	1
4505	65301022	GASANSCHLUSSROHR DN65 GASAANSLUITBUIJS CPL. DN65	COLLECTEUR COMPLET DN65 COLECTOR GAS CPL DN65	COLLETTORE DN65	1
	65301023	GASANSCHLUSSROHR DN80 GASAANSLUITBUIJS CPL. DN80	COLLECTEUR COMPLET DN80 COLECTOR GAS CPL DN80	COLLETTORE DN80	1
4506	13011367	STABILISATOR+SICHERUNGSRING D.60 STABILISATOR+ BORGVEREN D.60	STABILISATEUR+ CIRCLIPS D.60 ESTABILIZADOR+ ANILLO DE RETÉN D.60	STABILIZZATORE+ANELLI ELASTICI D.60	1
4507	13009722	MESSNIPPEL R1/8 DRUKAANSLUITING R1/8	PRISE PRESSION R1/8 TOMA PRESIÓN R1/8	PRESA PRESSIONE R1/8	1
4522	13020682	SCHWENKVERSCHRAUBUNG LCK-G1/8-PK4 "BANJO" AANSLUITING LCK-G1/8-PK4	RACCORD BANJO LCK-G1/8-PK4 RACOR TIPO "BANJO" LCK-G1/8-PK4	RACCORDO "BANJO" LCK-G1/8-PK4	1
4530	13020958	ANSCHLUSSKABEL SKP VERBINDINGSKABEL SKP	CABLE DE LIAISON SKP CABLE DE CONEXIÓN SKP	CAVO DI COLLEGAMENTO SKP	1
4600	65311583	GASVENTIL VGD40 080 DN80 GASKLEP VGD40 080 DN80	VANNE GAZ VGD40 080 DN80 VALVULA GAS VGD40 080 DN80	VALVOLA GAS VGD40 080 DN80	1
	65323661	GASVENTIL VGD40 065 DN65 GASKLEP VGD40 065 DN65	VANNE GAZ VGD40 065 DN65 VÁLVULA GAS VGD40 065 DN65	VALVOLA GAS VGD40 065 DN65	1
4602	13020950	SERVOMOT. GAS SKP75.003E2 O.ENDSCHALTER SERVOMOT. GAS SKP75.003E2 Z.EINDSCHAK.	SERVOMOT. GAZ SKP75.003E2 S.FIN COURSE SERVOMOT. GAS SKP75.003E2 S.TOPE	SERVOMOT. GAS SKP75.003E2 S.FINECORSIA	1
4605	13020951	SERVOMOT. GAS SKP15.000E2 O.ENDSCHALTER SERVOMOT. GAS SKP15.000E2 Z.EINDSCHAK.	SERVOMOT. GAZ SKP15.000E2 S.FIN COURSE SERVOMOT. GAS SKP15.000E2 S.TOPE	SERVOMOT. GAS SKP15.000E2 S.FINECORSIA	1
4610	13010078	GASDRUCKWÄCHTER GW 150 A5 30-150MB DIN GASDRUKREGELAAR GW 150 A5 30-150MB DIN	MANOSTAT GAZ GW 150 A5 30-150MB DIN MANOSTATO GAS GW 150 A5 30-150MB DIN	PRESSOSTATO GAS GW 150 A5 30-150MB DIN	1
4630	65323019	GASDRUCKWÄCHTER GW 50 A5 2,5-50MB GASDRUKSCHAKELAAR GW 50 A5 2,5-50MB	MANOSTAT GAZ GW 50 A5 2,5-50MB PRESOSTATO GAS GW 50 A5 2,5-50MB	PRESSOSTATO GAS GW 50 A5 2,5-50MB	1
4650	65301025	GASDRUCKROHR VGD40 DN65 NC95/210-VG5/6 GASDRUKBUIJS VGD40 DN65 NC95/210-VG5/6	TUBE PR.GAZ EQ.VGD40 DN65 NC95/210-VG5/6 TUBO PR. GAS VGD40 DN65 NC95/210-VG5/6	TUBO PR.GAS CPL.VGD40DN65 NC95/210-VG5/6	1
	65301026	GASDRUCKROHR VGD40 DN80 NC210-VG6 GASDRUKBUIJS VGD40 DN80 NC210-VG6	TUBE PRES.GAZ EQ.VGD40 DN80 NC210-VG6 TUBO PR. GAS VGD40 DN80 NC210-VG6	TUBO PR.GAS CPL.VGD40 DN80 NC210-VG6	1
4660	13023188	WINKELVERSCHRAUBUNG GEBOGEN AANSLUITING	RACCORD COUDE RACOR ACODADO	RACCORDO A GOMITO	1
4670	13009721	GERADES ANSCHLUSSSTÜCK VERBINDING RECHT	RACCORD DROIT EMPALME RECTO	RACCORDO DESTRO	1
4700	13013781	DICHTUNGSKIT VGD40 DN65 DICHTINGSKIT VGD40 DN65	KIT JOINTS VGD40 DN65 KIT JUNTAS VGD40 DN65	KIT GUARNIZIONI VGD40 DN65	1
	13013782	DICHTUNGSKIT VGD40 DN80 DICHTINGSKIT VGD40 DN80	KIT JOINTS VGD40 DN80 KIT JUNTAS VGD40 DN80	KIT GUARNIZIONI VGD40 DN80	1
4910	13009703	EXTERNER GASFILTER DN65 FILTER GAS EXTERN DN65	FILTRE GAZ EXTERNE DN65 FILTRO GAS EXTERNO DN65	FILTRO GAS ESTERNO DN65	1
	13013787	GASFILTER DN80 FILTER GAS DN80	FILTRE GAZ DN80 FILTRO GAS DN80	FILTRO GAS DN80	1
4911	13009704	GASFILTERELEMENT DN65 MIT DICHTUNG FILTERELEMENT GAS DN65 MET DICHTING	ELEMENT FILTRANT GAZ DN65 AVEC JOINT ELEMENTO FILTRANTE GAS DN65 CON JUNTA	ELEMENTO FILTRANTE GAS DN65 CON GUARNIZ.	1
	13013788	GASFILTERELEMENT DN80 MIT DICHTUNG FILTERELEMENT GAS DN80 MET DICHTING	ELEMENT FILTRANT GAZ DN80 AVEC JOINT ELEMENTO FILTRANTE GAS DN80 CON JUNTA	ELEMENTO FILTRANTE GAS DN80 CON GUARNIZ.	1

					
1005	13009640	УПЛОТНЕНИЕ ВОЗДУХОЗАБОРНИКА HAVA KUTUSU CONTASI	JUNTA CAIXA DE AR	USZCZELKA SKRZYNKI POWIETRZA	1
1010	13009642	КРЫШКА ВОЗДУХОЗАБОРНИКА HAVA KUTUSU KAPAĞI	TAMPA REGISTRO DE AR	POKRYWA SKRZYNKI POWIETRZA	1
1020	13009641	ИЗОЛЯЦИЯ ВОЗДУХОЗАБОРНИКА HAVA KUTUSU YALITIMI	ISOLAMENTO CAIXA DE ENTRADA DE AR	USZCZELKA SKRZYNKI POWIETRZA	1
1040	65301001	СЕРВОДВИГАТЕЛЬ STE 4,5 Q3.51/6 3NM R SERVOMOTOR STE 4,5 VO37/6	ATUADOR STE 4,5 Q3.51/6 R 3NM	SERWOMOTOR STE 4,5 Q3.51/6 R 3NM	1
1050	13014117	ВОЗДУШНАЯ ЗАСЛОНКА В СБОРЕ DONANIMLI HAVA KAPAKÇIĞI	CONJUNTO ALETA DE AR	ZASŁONA POWIETRZA Z WYPOSAŻENIEM	1
1051	65326227	ВОЗДУШНАЯ ЗАСЛОНКА В СБОРЕ DONANIMLI HAVA KLAPEŞI	FLAP DE AR EQUIP.	PRZEPUSTNICA POWIETRZA Z OSPRZĘTEM	1
1060	13011751	ПРУЖИНА СЕРАЯ/ВОЗД. GRI/ HAVA YAYI	MOLA ALETA DE AR (CINZENTA)	RESOR SZARY/ POW	1
1070	65301070	СОЕДИНЕНИЕ В СБОРЕ DONANIMLI BAĞLANTI	ACOPLAMENTO COMPLETO	SPRZĘGŁO Z OSPRZĘTEM	1
1071	65326226	ДЕРЖАТЕЛЬ СЕРВОДВИГАТЕЛЬ DESTEĞI SERVOMOTOR	SUPORTE SERVOMOTOR	WSPORNIK SERVOMOTOR	1
1080	13010055	УПЛОТНЕНИЕ КОЖУХА KARTER CONTASI	JUNTA CAIXA	USZCZELKA KARTERA	1
1090	13016845	МУФТА ПРОПУСКА ПРОВОДА/КАРТЕР KABLO KANALI/KARTER	PASSA-CABOS/CAIXA	PRZELOTKA PRZEWODU/OBUDOWA	1
1100	65301016	ЧЕХОЛ VECTRON5+ V6 +ВИНТ КРЕПЛЕНИЯ DONANIMLI MUHAFAZA KAPAĞI VECTRON5 / V6	EXTRATOR VECTRON5 E V6+PARAFUSO FIXAÇÃO	POKRYWA VECTRON5 I V6 Z OSPRZĘTEM	1
1101	65300519	ВИНТ С ПЛОСКОЙ ГОЛОВКОЙ M5X15 DÜZ BAŞLI VIDA M5X15	PARAFUSO CABEÇA PLANA M5X15	ŚRUBA Z ŁBEM NITOWYM PŁASKIM M5X15	1
1102	13009772	УПЛОТНИТЕЛЬНАЯ ЛЕНТА/КОЖУХ YALITIM BANDI / GÖVDE KAPLAMA	BANDA DE VEDAÇÃO EXAUSTOR	TAŚMA USZCZELNIAJĄCA/POKRYWA	1
1140	13010008	СМОТРОВОЕ СТЕКЛО RÖGAR CAMI	VIGIA	SZKŁO PODGLĄDU	1
1145	13009648	ПРОХОДНАЯ ВТУЛКА ДЛЯ ПРОВОДА KABLO GEÇİRİCİ	PASSA-CABOS	PRZELOT KABLI	1
1170	13009748	ВОЗДУШНЫЙ ВЫПРЯМИТЕЛЬ HAVA DÜZELTİCİ	RECICLAGEM DE AR	PROSTOWNIK POWIETRZA	1
1180	13009738	ДАТЧИК ДАВЛЕНИЯ BASINÇ GİRİŞİ	TORNEIRA DE PRESSÃO	GNIAZDO CIŚNIENIOWE	1
1190	13009649	РАБОЧЕЕ КОЛЕСО D240X82 d19 TÜRBİN D240X82 d19	TURBINA D240X82 d19	WIMIK D240X82 d19	1
	13009736	ТУРБИНА D240X114 d24 D240X114 d24 TÜRBİN	TURBINA D240X114 d24	WIMIK D240X114 d24	1
	13009737	ТУРБИНА D250X114 d24 D250X114 d24 TÜRBİN	TURBINA D250X114 d24	WIMIK D250X114 d24	1
1200	13020723	КРОНШТЕЙН ПНЕВМОРЕЛЕ D32 HAVA BASINÇ ŞALTERI MESNEDI D32	BASE MANÓSTATO AR D32	WSPORNIK CZUJNIKA CIŚNI. POWIET. D32	1
1210	65300991	РЕЛЕ ДАВЛЕНИЯ ВОЗДУХ HUBA 604 1-10MBAR HAVA BASINÇ ŞALTERI HUBA 604 1-10MBAR	MANÓSTATO DE AR 604 1-10MBAR	CZUJNIK CIŚNIENIA POWIETR. HUBA 604 1-10	1
1220	13009654	ДВИГАТЕЛЬ 1,5 кВт 230/400 В D19 + РАЗЪЕМ 1,5KW230/400V D19 MOTOR +PRİZ	MOTOR 1,5KW230/400V D19+PLUGUE	SILNIK 1,5 KW 230/400 V D19+GNIAZDO	1
	13009739	ДВИГАТЕЛЬ 2,2KW230/400V D24+РАЗЪЕМ MOTOR 2,2KW230/400V D24+PRİZ	MOTOR 2,2KW230/400V D24+PLUGUE	SILNIK 2,2 KW 230/400 V D24 + GNIAZDO	1
	13009740	ДВИГАТЕЛЬ 2,5KW230/400V D24+РАЗЪЕМ MOTOR 2,5KW230/400V D24+PRİZ	MOTOR 2,5KW230/400V D24+PLUGUE	SILNIK 2,5 KW 230/400 V D24 + GNIAZDO	1
1510	13009663	ЗАПАЛЬНИК EBI 2X7,5 230 В 2X7,5 230V EBI ATEŞLEYİCİ	ACENDEDOR EBI 2X7,5 230V	ZAPALNIK EBI 2X7,5 230 V	1
1520	13016457	ДЕРЖАТЕЛЬ ПРЕДОХР-ЛЯ + ПРЕДОХР-ЛЬ 6,3 А SİGORTA TAŞIYICI + 6.3A SİGORTA	PORTA-FUSÍVEL+FUSÍVEL 6,3A	OPRAWA BEZPIECZNIKOWA +BEZPIECZNIK 6,3 A	1
1525	13016028	ПРЕДОХРАНИТЕЛЬ 5X20 6.3А SIGORTA 5X20 6.3A	FUSÍVEL 5X20 6,3A	BEZPIECZNIKA 5X20 6.3A	1
1530	13010007	ПЕРЕКЛЮЧАТЕЛЬ ŞALTER	INTERRUPTOR LIGAR/DESLIGAR	PRZEŁĄCZNIK	1
1540	13014009	ПЕРЕКЛЮЧАТЕЛЬ ŞALTER	INTERRUPTOR - FUNCIONAMENTO	PRZEŁĄCZNIK	1
1550	65301109	ДИСПЛЕЙ БЛОК УПРАВЛЕНИЯ TCG-TCH REL. 2.2 EKRAN İÇİN KUTU TCG-TCH REL. 2.2	VISOR UNIDADE CONTROLE TCG-TCH REL.2.2	WYŚWIETLACZ / MODUŁ TCG-TCH REL.2.2	1
1560	65300992	ПУЛЬТ УПРАВЛЕНИЯ ПЛАСТИКОВЫЙ İŞLETİM MASASI PLASTİK	PLACA DE CONTROLE PLÁSTICA	PLASTIKOWY PULPIT STEROWNICZY	1
1570	65300993	МУФТА ПРОКЛАДКИ ПРОВОДА D54/D47/D36 KABLO KANALI D54/D47/D36	PASSA-CABOS D54/D47/D36	PRZELOTKA PRZEWODU D54/D47/D36	1
1580	13009661	ЗАТВОР/ПУЛЬТ TAPA / KONTROL PANELİ	OBTURADOR INTERFACE	PRZEPUSTNICA / PULPIT	1
1600	65301019	КАБЕЛЬ+РАЗЪЕМ РЕЛЕ ДАВЛЕНИЯ ГАЗА KABLOSU + PRİZ / GAZ BASINÇ ŞALT.	CABO+CONECTOR / PRESSOSTATO GÁS	PRZEWÓD+WTYCZKA CZUJNIKA CIŚNI. GAZU	1

		RU TR	PT	PL	
1604	65301034	КАБЕЛЬ РЕЛЕ ДАВЛЕНИЯ ГАЗА KABLOSU + KONEKTÖRÜ/GAZ BASINÇ ŞALT.	CABO+CONECTOR PRESSOSTATO DE GÁS	PRZEWÓD CZUJNIKA CIŚNIENIA GAZU	1
1610	65301020	КАБЕЛЬ+РАЗЪЕМ ГАЗОВОГО КЛАПАНА KABLOSU + PRİZ / GAZ VANASI	CABO+CONECTOR / VÁLVULA DE GÁS	PRZEWÓD+WTYCZKA ZAWORU GAZOW.	1
1620	65300997	КАБЕЛЬ / ТРАНСФО РОЗЖИГА KABLOSU / ATEŞLEME TRAFO.	CABO/ACENDEDOR	PRZEWÓD+GNAZDO/APARAT ZAPLONOWY	1
1630	65301058	КАБЕЛЬ + РАЗЪЕМ /ФОТОРЕЗИСТОР IRD KABLOSU + PRİZ / HÜCRE IRD	CABO + CONECTOR /FOTOCÉLULA IRD	PRZEWÓD + GNAZDO /FOTOKOMÓRKA IRD	1
1640	65301035	ФОТОРЕЗИСТОР IRD.1020.1 БЛАН+КРОНШТЕЙН HÜCRE IRD 1020.1 AXIAL	FOTOCÉLULA IRD 1020.1 BRANCO AXIAL	FOTOKOMÓRKA IRD 1020.1 WHITE AXIAL	1
1650	13010461	ДЕРЖАТЕЛЬ ДЛЯ ФОТОЭЛЕМЕНТА IRD1020.1 HÜCRE MESHEDİ M93 İÇİN IRD1020.1	SUPORTE FOTOCÉLULA M93 PARA IRD1020.1	WSPORNIK DLA FOTOKOMÓRKA IRD1020.1	1
1660	65301000	КАБЕЛЬ L560+РАЗЪЕМ 4-ПОЛЮС/ДВИГАТЕЛЬ L560 KABLO +PRİZ 4P/MOTOR	CABO C.560+CONECTOR 4P/MOTOR	KABEL L560+GNAZDO 4P/SILNIK	1
1670	13009743	КАБЕЛЬ РОЗЖИГА ATEŞLEME KABLOSU	CABO DE IGNIÇÃO	KABEL ZAPALNIKA	1
1700	65300881	БЛОК УПРАВЛЕНИЯ TCG 511.01TC KUTU TCG 511.01TC	PROGRAMADOR TCG 511.01TC	MODUŁ TCG 511.01TC	1
1800	13009778	КОНТАКТОР KONTAKTÖR	CONTATOR	KONTAKTOR	1
1810	13009746	ТЕРМОРЕЛЕ LR2K 5.5-8.0A LR2K 5.5-8.0A TERMİL RÖLE	RELÉ TÉRMICO LR2K 5,5-8,0A	PRZEKAŹNIK TERMICZNY LR2K 5,5-8,0 A	1
2100	65301027	АРМАТУРА ГАЗОПРОВОДА Т1/KN DONANIMLI GAZ HATTI T1/KN	LINHA DE GÁS COMPLETA T1/KN	UKŁAD CIŚNIENIA GAZU Z WYPO.T1/KN	1
	65301028	АРМАТУРА ГАЗОПРОВОДА Т2/KN DONANIMLI GAZ HATTI T2/KN	LINHA DE GÁS COMPLETA T2/KN	UKŁAD CIŚNIENIA GAZU Z WYPOS. T2/KN	1
	65301029	АРМАТУРА ГАЗОПРОВОДА Т3/KN DONANIMLI GAZ HATTI T3/KN	LINHA DE GÁS COMPLETA T3/KN	UKŁAD CIŚNIENIA GAZU Z WYPOS. T3/KN	1
2110	65301030	УЗЕЛ ГАЗОВОГО ДИФУЗОРА GAZ DIFÜZOERÜ GRUBU	CONJUNTO DIFUSOR GÁS	ZESPÓŁ DYSZY GAZU	1
2120	13009726	БЛОК ЭЛЕКТРОДОВ ELEKTROT BLOĞU	BLOCO DE ELÉTODOS	BLOKADA ELEKTROD	1
2130	13010049	ВИНТ С БУРТИКОМ М4/БЛОК ЭЛЕКТРОДОВ M4 OMUZLU VIDA/ELEKTROT BLOĞU	PARAFUSO M4/BLOCO DE ELÉTODOS	ŚRUBA M4/BLOKADA ELEKTROD	1
2131	13009725	ПРУЖИН. ЗАЖИМ / БЛОК ЭЛЕКТРОДОВ ELEKTROT BLOĞU/YAY FLANŞI	FLANGE DE MOLA/BLOCO DE ELÉTODOS	KOŁNIERZ RESORU/BLOKADA ELEKTROD	1
2150	65301117	ГАЗОВОЕ КОЛЕНО LG.506 GAZ KLAPE LG.506	COTOVELO GÁS+TUBO COMP.506	KOLANKO DO INSTALACJI GAZOWEJ LG.506	1
	65301118	ГАЗОВОЕ КОЛЕНО LG.706 GAZ KLAPE LG.706	COTOVELO GÁS+TUBO COMP.706	KOLANKO DO INSTALACJI GAZOWEJ LG.706	1
	65301119	ГАЗОВОЕ КОЛЕНО LG.606 GAZ KLAPE LG.606	COTOVELO GÁS+TUBO COMP.606	KOLANKO DO INSTALACJI GAZOWEJ LG.606	1
2160	65301120	ЗАВИХРИТЕЛЬ DOENER GOEVDE	GERADOR DE TURBULÊNCIA	ZAWIROWYWACZ	1
2180	13009727	ЗАПАЛЬНЫЕ ПРОВОДА L950 L950 ATEŞLEME KABLÖLARI	CABOS IGNIÇÃO L950	KABEL ZAPALNIKA L950	1
2190	13009731	УПЛОТН. КОЛЬЦО D.75X4 O'RING D.75X4	O-RING D.75X4	O'RING D.75X4	1
2200	65301031	СОПЛО ГОРЕЛКИ D227/157 L380 BRÜLÖR BORUSU D227/157 L380	TUBO DO QUEIMADOR D227/157 L380	RURA PALNIKA D227/157 L380	1
	65301032	СОПЛО ГОРЕЛКИ D227/157 L623 BRÜLÖR BORUSU D227/157 L623	TUBO DO QUEIMADOR D227/157 L623	RURA PALNIKA D227/157 L623	1
	65301033	СОПЛО ГОРЕЛКИ D227/157 L530 BRÜLÖR BORUSU D227/157 L530	TUBO DO QUEIMADOR D227/157 L530	RURA PALNIKA D227/157 L530	1
2210	13009723	КОМПЛ-Т ВИНТ КРЕПЛЕН ТРУБЫ ГОРЕЛКИ (X3) BRÜLÖR TÜRÜ TESBİT VIDASI KİTİ (X3)	KIT PARAFUSO FIX. TUBO QUEIMADOR (X3)	ZESTAW ŚRUB MOCOW. RURA PALNIKA (X3)	1
2300	13009719	УПЛОТНЕНИЕ/ПЕРЕДН ЧАСТЬ КОТЛА 326X335X3 326X335X3 KAZAN CONTASI/ÖN YÜZÜ	JUNTA/FRENTE CALDEIRA 326X335X3	USZCZELKA/ŚCIANA CZOŁ. KOTŁA 326X335X3	1
2330	65300252	ТРУ. ОТБОРА ДАВЛ. В ТОПОЧ. КАМЕРЕ L250MM OSAK TERTİBATI BASINÇ BORUSU LG. 250MM	TUBO PRESSÃO FORNALHA COMP. 250MM	PRZEWÓD CIŚNIENIA W PALENISKU LG. 250MM	1
	65300597	ТРУ. ОТБОРА ДАВЛ. В ТОПОЧ. КАМЕРЕ L350MM OSAK TERTİBATI BASINÇ BORUSU LG. 350MM	TUBO PRESSÃO FORNALHA COMP. 350MM	PRZEWÓD CIŚNIENIA W PALENISKU LG. 350MM	1
2350	65300854	КРЕПЕЖНЫЙ ВИНТ+ГАЙКА M12X80 BORUSU BAĞLANTI VIDASI+SOMUN M12X80	PARAFUSO DE FIXAÇÃO+PORCA M12X80	ŚRUBA MOCUJĄCA+NĄKRĘTKA M12X80	1
2360	13022998	КОМПЛЕКТ ШПИЛЬКИ M12X40+ГАЙКА SAPLAMA TAKIMI M12X40+SOMUN	KIT CAVILHAS M12X40+PORCA	ZESTAW SWORZEŃ M12X40+NĄKRĘTKA	1
2420	13009724	КОМПЛЕКТ ПАЛЬЦЕВ AKS KİTİ	KIT EIXOS	ZESTAW OSI	1
3005	13014122	КОЛЛЕКТОР В СБОРЕ RP 1"1/4 RP 1"1/4 MONTAJLI KOLEKTÖR	COLETOR MONTADO RP 1"1/4	KOLEKTOR MONTE RP 1"1/4	1
	13014128	КОЛЛЕКТОР В СБОРЕ RP 2 RP 2 MONTAJLI KOLEKTÖR	COLETOR MONTADO RP 2	KOLEKTOR MONTE RP 2	1

					
3006	13011367	СТАБИЛИЗАТОР + СТОПОРНОЕ КОЛЬЦО D.60 STABILIZATÖR + CIRCLIPS D.60	ESTABILIZADOR+ANÉIS RETENÇÃO D.60	STABILIZATOR+ CIRCLIPS D.60	1
3007	13009722	ДАТЧИК ДАВЛЕНИЯ R1/8 R1/8 BASINÇ PRİZİ	TOMADA DE PRESSÃO R1/8	GNIAZDO CIŚNIENIOWE R1/8	1
3022	13020682	ШТУЦЕР "БАНДЖО" LCK-G1/8-ПК4 "BANJO" RAKOR LCK-G1/8-ПК4	CONEXÃO "BANJO" LCK-G1/8-ПК4	ZŁĄCZE "BANJO" LCK-G1/8-ПК4	1
3040	13007859	ФЛАНЕЦ МВ...420 RP2 + РАЗЪЕМ P МВ...420 RP2 FLANŞ + P PRİZ	FLANGE MB...420 RP2+PLUGUE P	KOŁNIERZ MB...420 RP2+GNIAZDO P	1
	13010085	ВПУСКНОЙ ФЛАНЕЦ MB410/412 MB410/412 GİRİŞ FLANŞI	FLANGE DE ENTRADA MB410/412	KOŁNIERZ WEJŚCIA MB410/412	1
3100	65301036	ГАЗОВЫЙ КЛАПАН MBVEF412 B01 S32 RP1"1/4 GAZ VANASI MBVEF412 B01 S32 RP1"1/4	VÁLVULA GÁS MBVEF412 B01 S32 RP1 1/4	ZAWÓR GAZOWY MBVEF412 B01 S32 RP1"1/4	1
	65301037	ГАЗОВЫЙ КЛАПАН MBVEF420 B01 S32 RP2" GAZ VANASI MBVEF420 B01 S32 RP2"	VALVULA GAS MBVEF420 B01 S32 RP2"	ZAWÓR GAZOWY MBVEF420 B01 S32 RP2"	1
3110	13010078	РЕГУЛ ДАВЛ. ГАЗА. GW 150 A5 30—150MB DIN GW 150 A5 30-150MB DIN GAZ MANOSTATI	PRESSOSTATO GÁS GW 150 A5 30-150MB DIN	CZUJNIK CIŚ. GAZU GW 150 A5 30-150MB DIN	1
3120	13010084	КАТУШКА DUN № 1205 MBVEF412 N° 1205 MBVEF412 DUN BOBİNI	BOBINA DUN N.º 1205 MBVEF412	CEWKA DUN NR 1205 MBVEF412	1
	13011726	КАТУШКА DUN № 1215 MBVEF420 N° 1215 MBVEF420 DUN BOBİNI	BOBINA DUN N.º 1215 MBVEF420	CEWKA DUN NR 1215 MBVEF420	1
3130	65323019	РЕЛЕ ДАВ. ВОЗДУХА GW 50 A5 2,5-50MB GAZ BASINÇ ŞALT. GW 50 A5 2,5-50MB	PRESSOSTATO GAS GW 50 A5 2,5-50MB	CZUJNIK CIŚ. GAZU GW 50 A5 2,5-50MB	1
3140	13007901	ФИЛЬТРУЮЩИЙ ЭЛЕМЕНТ/МВ...420 FILTRELEYİCİ ELEMEN /MB...420	ELEMENTO FILTRANTE /MB...420	ELEMENT FILTRUJĄCY /MB...420	1
	13016012	ФИЛЬТР. ЭЛЕМЕНТ/МВ...410/412 FILTRE ELEMENI /MB...410/412	ELEMENTO FILTRANTE /MB...410/412	ELEMENT FILTRUJĄCY /MB...410/412	1
3150	65300649	ТРУБКА ОТБОРА ДАВЛЕНИЯ ГАЗА MBVEF412 GAZ BASINÇ BORUSU MBVEF412+RAKOR.	TUBO DE PRESSÃO GÁS MBVEF412+CONEXÃO	RURA CIŚNIE. GAZU MBVEF412+ZŁĄCZEM	1
	65300669	ТРУБКА ОТБОРА ДАВЛЕНИЯ ГАЗА MBVEF420 GAZ BASINÇ BORUSU MBVEF420+RAKOR.	TUBO DE PRESSÃO GÁS MBVEF420+CONEXÃO	RURA CIŚNIE. GAZU MBVEF420+ZŁĄCZEM	1
3160	13023188	УГЛОВОЙ ШТУЦЕР DIRSEKLI RAKOR	CONEXÃO COTOVELO	ZŁĄCZKA TYPU KOLANKO	1
3170	13023187	ШТУЦЕР G1/8 + УПЛОТНЕНИЕ RAKOR G1/8 + CONTA	CONEXÃO G1/8+JUNTA	ZŁĄCZE G1/8 + USZCZELKA	1
3200	65300576	КОМПЛЕКТ ПРОКЛАДОК МВ...412 CONTA KİTİ MB...412	KIT JUNTAS MB...412	ZESTAW USZCZELEK MB...412	1
	65300671	КОМПЛЕКТ УПЛОТНЕНИЙ МВ...420 CONTA KİTİ MB...420	KIT JUNTAS MB...420	ZESTAW USZCZELEK MB...420	1
3410	13009700	ГАЗ ФИЛЬТР ВНЕШНИЙ RP2 RP2 HARİCİ GAZ FİLTRESİ	FILTRO GÁS EXTERNO RP2	FILTR GAZ. ZEWNĘTRZNY RP2	1
3411	13010044	ФИЛЬТР. ЭЛЕМЕНТ RP2 + УПЛОТНЕНИЕ RP2 FİLTRE ELEMENI + CONTA	ELEMENTO FILT. RP2+O-RING	ELEMENT FILT. RP2+USZCZELKA	1
4005	65301024	КОЛЛЕКТОР В СБОРЕ RP2 MANIFOLD KMPL. RP2	TUBO ABASTECIMENTO DE GÁS CPL. RP2	KOLEKTOR KOMPL. RP2	1
4006	13011367	СТАБИЛИЗАТОР + СТОПОРНОЕ КОЛЬЦО D.60 STABILIZATÖR + CIRCLIPS D.60	ESTABILIZADOR+ANÉIS RETENÇÃO D.60	STABILIZATOR+ CIRCLIPS D.60	1
4007	13009722	ДАТЧИК ДАВЛЕНИЯ R1/8 R1/8 BASINÇ PRİZİ	TOMADA DE PRESSÃO R1/8	GNIAZDO CIŚNIENIOWE R1/8	1
4022	13020682	ШТУЦЕР "БАНДЖО" LCK-G1/8-ПК4 "BANJO" RAKOR LCK-G1/8-ПК4	CONEXÃO "BANJO" LCK-G1/8-ПК4	ZŁĄCZE "BANJO" LCK-G1/8-ПК4	1
4030	13020958	СОЕДИНИТЕЛЬНЫЙ КАБЕЛЬ SKP SKP BAĞLANTI KABLOSU	CABO DE CONEXÃO SKP	KABEL ŁĄCZĄCY SKP	1
4040	65300871	ВПУСКНОЙ ФЛАНЕЦ AGA51 AGA51 GİRİŞ FLANŞI	FLANGE DE ENTRADA AGA51	KOŁNIERZ WEJŚCIA AGA51	1
4100	65311581	ГАЗОВЫЙ КЛАПАН VGD20 5011 RP2" GAZ VANASI VGD20 5011 RP2"	VÁLVULA GÁS VGD20 5011 RP2"	ZAWÓR GAZOWY VGD20 5011 RP2"	1
4102	13020950	ИСП. МЕХАНИЗМ ГАЗ SKP75.003E2 S.КОНЦЕВОЙ KURS SONSUZ SKP75.003E2 GAZ SERVOMOTORU	ATUADOR GÁS SKP75.003E2 S.FIM CURSO	SIŁOWNIK GAZ. SKP75.003E2 S.WYL.KRAŃCOWY	1
4105	13020951	ИСП. МЕХАНИЗМ ГАЗ SKP15.000E2 S.КОНЦЕВОЙ KURS SONSUZ SKP15.000E2 GAZ SERVOMOTORU	ATUADOR GÁS SKP15.000E2 S.FIM CURSO	SIŁOWNIK GAZ. SKP15.000E2 S.WYL.KRAŃCOWY	1
4110	13010078	РЕГУЛ ДАВЛ. ГАЗА. GW 150 A5 30—150MB DIN GW 150 A5 30-150MB DIN GAZ MANOSTATI	PRESSOSTATO GÁS GW 150 A5 30-150MB DIN	CZUJNIK CIŚ. GAZU GW 150 A5 30-150MB DIN	1
4130	65323019	РЕЛЕ ДАВ. ВОЗДУХА GW 50 A5 2,5-50MB GAZ BASINÇ ŞALT. GW 50 A5 2,5-50MB	PRESSOSTATO GAS GW 50 A5 2,5-50MB	CZUJNIK CIŚ. GAZU GW 50 A5 2,5-50MB	1
4150	65301075	ТРУБ. ОТБОРА VGD20 RP2 NC95/210-VG5/6 TUPLU GAZ BASI. VGD20 RP2 NC95/210-VG5/6	TB. PRESSÃO GÁS VGD20 RP2 NC95/210-VG5/6	RURA CIŚNIENI VGD20 RP2 NC95/210-VG5/6	1
4160	13023188	УГЛОВОЙ ШТУЦЕР DIRSEKLI RAKOR	CONEXÃO COTOVELO	ZŁĄCZKA TYPU KOLANKO	1
4170	13009721	ШТУЦЕР, ПРАВЫЙ SAĞ RAKOR	CONEXÃO DIREITA	ZŁĄCZE PRAWIE	1
4200	13011733	КОМП-КТ УПЛОТНЕНИЙ VGG,VGF10/VGD20 RP2 VGG,VGF10/VGD20 RP2 CONTA KİTİ	KIT VEDAÇÖES VGG,VGF10/VGD20 RP2	ZESTAW USZCZELEK VGG,VGF10/VGD20 RP2	1

		RU TR	PT	PL	
4410	13009700	ГАЗ ФИЛЬТР ВНЕШНИЙ RP2 RP2 HARİCİ GAZ FİLTRESİ	FILTRO GÁS EXTERNO RP2	FILTR GAZ. ZEWNĘTRZNY RP2	1
4411	13010044	ФИЛЬТР. ЭЛЕМЕНТ RP2 + УПЛОТНЕНИЕ RP2 FİLTRE ELEMANI + CONTA	ELEMENTO FILT. RP2+O-RING	ELEMENT FILT. RP2+USZCZELKA	1
4505	65301022	КОЛЛЕКТОР В СБОРЕ DN65 MANIFOLD KMPL. DN65	TUBO ABASTECIMENTO GÁS COMPLETO DN65	KOLEKTOR KOMPL. DN65	1
	65301023	КОЛЛЕКТОР В СБОРЕ DN80 MANIFOLD KMPL. DN80	TUBO ABASTECIMENTO GÁS COMPLETO DN80	KOLEKTOR KOMPL. DN80	1
4506	13011367	СТАБИЛИЗАТОР + СТОПОРНОЕ КОЛЬЦО D.60 STABILIZATÖR + CİRCİLİPS D.60	ESTABILIZADOR+ANÉIS RETENÇÃO D.60	STABILIZATOR+ CİRCİLİPS D.60	1
4507	13009722	ДАТЧИК ДАВЛЕНИЯ R1/8 R1/8 BASINÇ PRİZİ	TOMADA DE PRESSÃO R1/8	GNIAZDO CIŚNIENIOWE R1/8	1
4522	13020682	ШТУЦЕР "БАНДЖО" LCK-G1/8-PK4 "BANJO" RAKOR LCK-G1/8-PK4	CONEXÃO "BANJO" LCK-G1/8-PK4	ZŁĄCZE "BANJO" LCK-G1/8-PK4	1
4530	13020958	СОЕДИНИТЕЛЬНЫЙ КАБЕЛЬ SKP SKP BAĞLANTI KABLOSU	CABO DE CONEXÃO SKP	KABEL ŁĄCZĄCY SKP	1
4600	65311583	ГАЗОВЫЙ КЛАПАН VGD40 080 DN80 GAZ VANASI VGD40 080 DN80	VÁLVULA GÁS VGD40 080 DN80	ZAWÓR GAZOWY VGD40 080 DN80	1
	65323661	ГАЗОВЫЙ КЛАПАН VGD40 065 DN65 GAZ VANASI VGD40 065 DN65	VÁLVULA GÁS VGD40 065 DN65	ZAWÓR GAZ. VGD40 065 DN65	1
4602	13020950	ИСП. МЕХАНИЗМ ГАЗ SKP75.003E2 S.КОНЦЕВОЙ KURS SONSUZ SKP75.003E2 GAZ SERVOMOTORU	ATUADOR GÁS SKP75.003E2 S.FIM CURSO	SIŁOWNIK GAZ. SKP75.003E2 S.WYL.KRAŃCOWY	1
4605	13020951	ИСП. МЕХАНИЗМ ГАЗ SKP15.000E2 S.КОНЦЕВОЙ KURS SONSUZ SKP15.000E2 GAZ SERVOMOTORU	ATUADOR GÁS SKP15.000E2 S.FIM CURSO	SIŁOWNIK GAZ. SKP15.000E2 S.WYL.KRAŃCOWY	1
4610	13010078	РЕГУЛ ДАВЛ. ГАЗА. GW 150 A5 30—150MB DIN GW 150 A5 30-150MB DIN GAZ MANOSTATI	PRESSOSTATO GÁS GW 150 A5 30-150MB DIN	CZUJNIK CIŚ. GAZU GW 150 A5 30-150MB DIN	1
4630	65323019	РЕЛЕ ДАВ. ВОЗДУХА GW 50 A5 2,5-50MB GAZ BASINÇ ŞALT. GW 50 A5 2,5-50MB	PRESSOSTATO GAS GW 50 A5 2,5-50MB	CZUJNIK CIŚ. GAZU GW 50 A5 2,5-50MB	1
4650	65301025	ТРУБ. ОТБОРА VGD40 DN65 NC95/210-VG5/6 RAKOR.GAZ BASINÇ BO. DN65 NC95/210-VG5/6	TB. PR.GÁS CPL.VGD40 DN65 NC95/210-VG5/6	RURA CIŚNIENI VGD40 DN65 NC95/210-VG5/6	1
	65301026	ТРУБ. ОТБОРА VGD40 DN80 NC210-VG6 RAKOR.GAZ BASINÇ BO.VGD40 DN80 NC210-VG6	TUBO PRESS.GAS VGD40 DN80 NC210-VG6	RURA CIŚNIENI VGD40 DN80 NC210-VG6	1
4660	13023188	УГЛОВОЙ ШТУЦЕР DIRSEKLI RAKOR	CONEXÃO COTOVELO	ZŁĄCZKA TYPU KOLANKO	1
4670	13009721	ШТУЦЕР, ПРАВЫЙ SAĞ RAKOR	CONEXÃO DIREITA	ZŁĄCZE PRAWE	1
4700	13013781	КОМПЛЕКТ УПЛОТНЕНИЙ VGD40 DN65 VG40 DN65 CONTA KİTİ	KIT VEDAÇÖES VGD40 DN65	ZESTAW USZCZELEK VGD40 DN65	1
	13013782	КОМПЛЕКТ УПЛОТНЕНИЙ VGD40 DN80 VG40 DN80 CONTA KİTİ	KIT JUNTAS VGD40 DN80	ZESTAW USZCZELEK VGD40 DN80	1
4910	13009703	ГАЗ ФИЛЬТР ВНЕШНИЙ DN65 DN65 HARİCİ GAZ FİLTRESİ	FILTRO GÁS EXTERNO DN65	FILTR GAZ. ZEWNĘTRZNY DN65	1
	13013787	ГАЗ. ФИЛЬТР DN80 DN80 GAZ FİLTRESİ	FILTRO GÁS DN80	FILTR GAZ. DN80	1
4911	13009704	ГАЗ. ФИЛЬТРУЮЩИЙ ЭЛЕМЕНТ DN65 С УПЛОТН. CONTALI DN65 GAZ FİLTRE ELEMANI	ELEMENTO FILTRANTE GÁS DN65 COM O-RING	ELEMENT FILTRUJĄCY GAZ. DN65 Z USZCZELKA	1
	13013788	ГАЗ. ФИЛЬТРУЮЩИЙ ЭЛЕМЕНТ DN80 С УПЛОТН. CONTA İLE DN80 GAZ FİLTRE EDİCİ ELEMAN	ELEMENTO FILTRANTE GÁS DN80 COM JUNTA	ELEMENT FILTRUJĄCY GAZ. DN80 Z USZCZELKA	1

К О Н Т А К Т Ы

Distributor in Russia "Teplopartner" LTD
Russia, Krasnodar city, Stasova street, 184, office 4
Tel./fax.: 8 (861) 234 23 83, +7 (961) 854 41 24
www.gorelka-kotel.ru info@gorelka-kotel.ru