



SPARE PARTS EXPLODED VIEW DUAL-FUEL BURNERS

Model

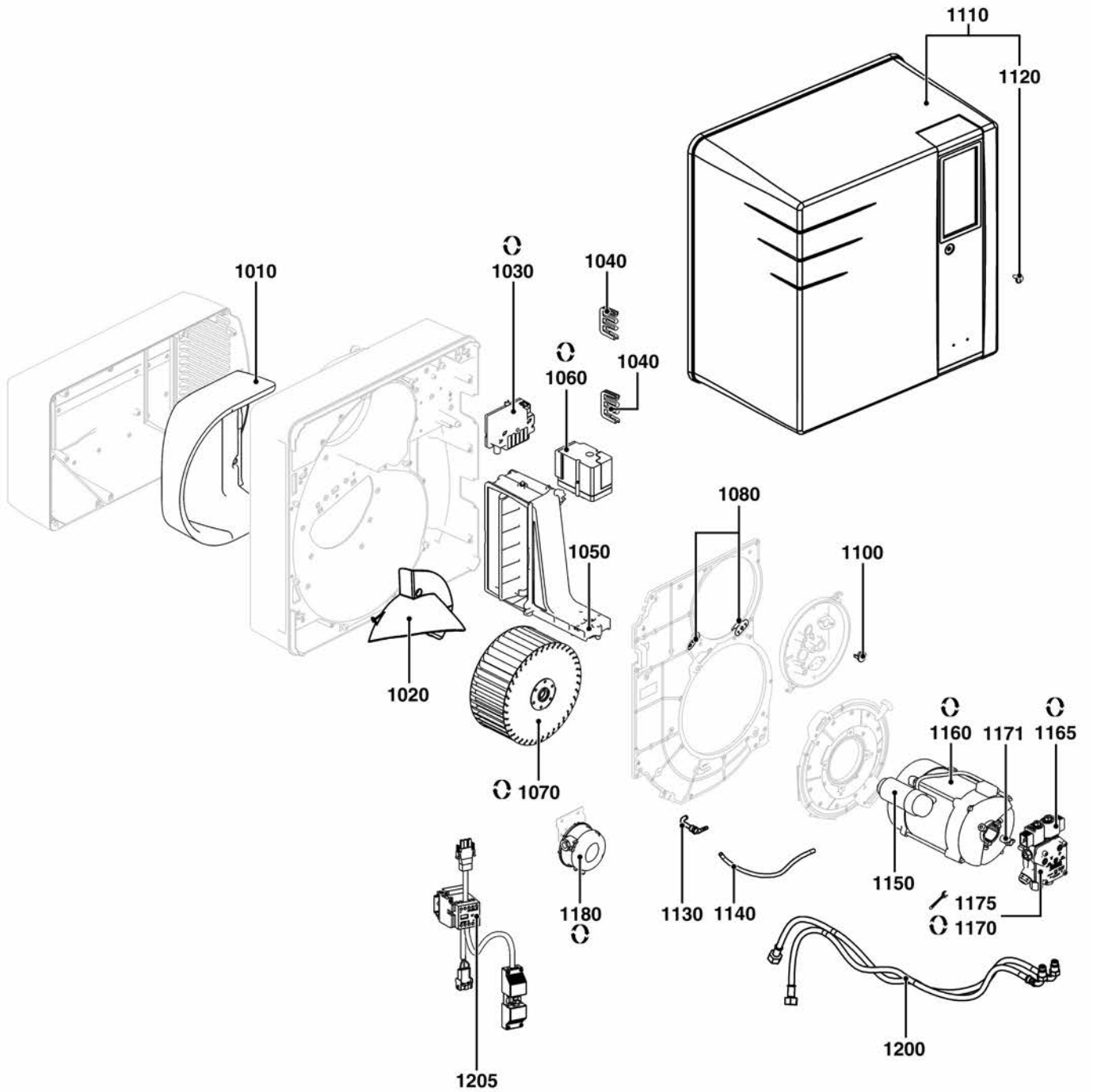
CB-VGL4DP

R8220104-02 - 02/06/2016

CB-VGL4DP

Dual-Fuel burner

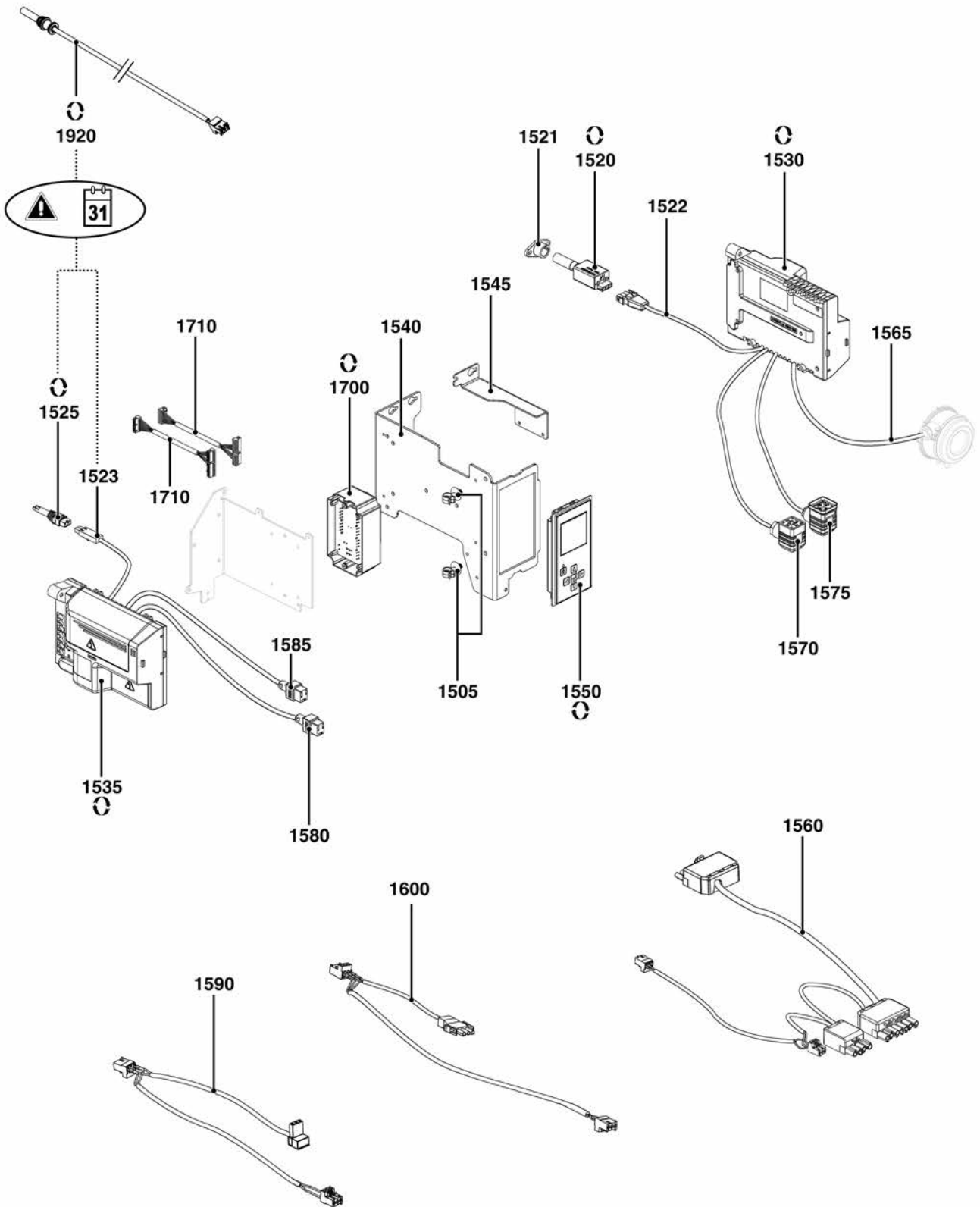
1	3834553	BB-VGL4.460 DP	06-2014	-
2	3834554	BB-VGL4.610 DP	06-2014	-
3	3834555	CH-D0531 - T1/KN	06-2014	-
4	3834556	CH-D0531 - T2/KL	06-2014	-
5	3834557	CH-D0532 - T1/KN	06-2014	-
6	3834558	CH-D0532 - T2/KL	06-2014	-
7	3832064	GT-d311 - 3/4" - Rp1"	06-2010	-
8	3832063	GT-d312 - 1"1/4 - Rp1"1/4	12-2008	-
9	3833192	GT-d327 - 1"1/2-Rp2"	02-2011	-
Col	Reference	Model type	Begin	End

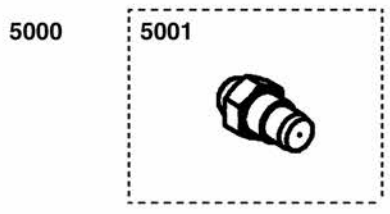
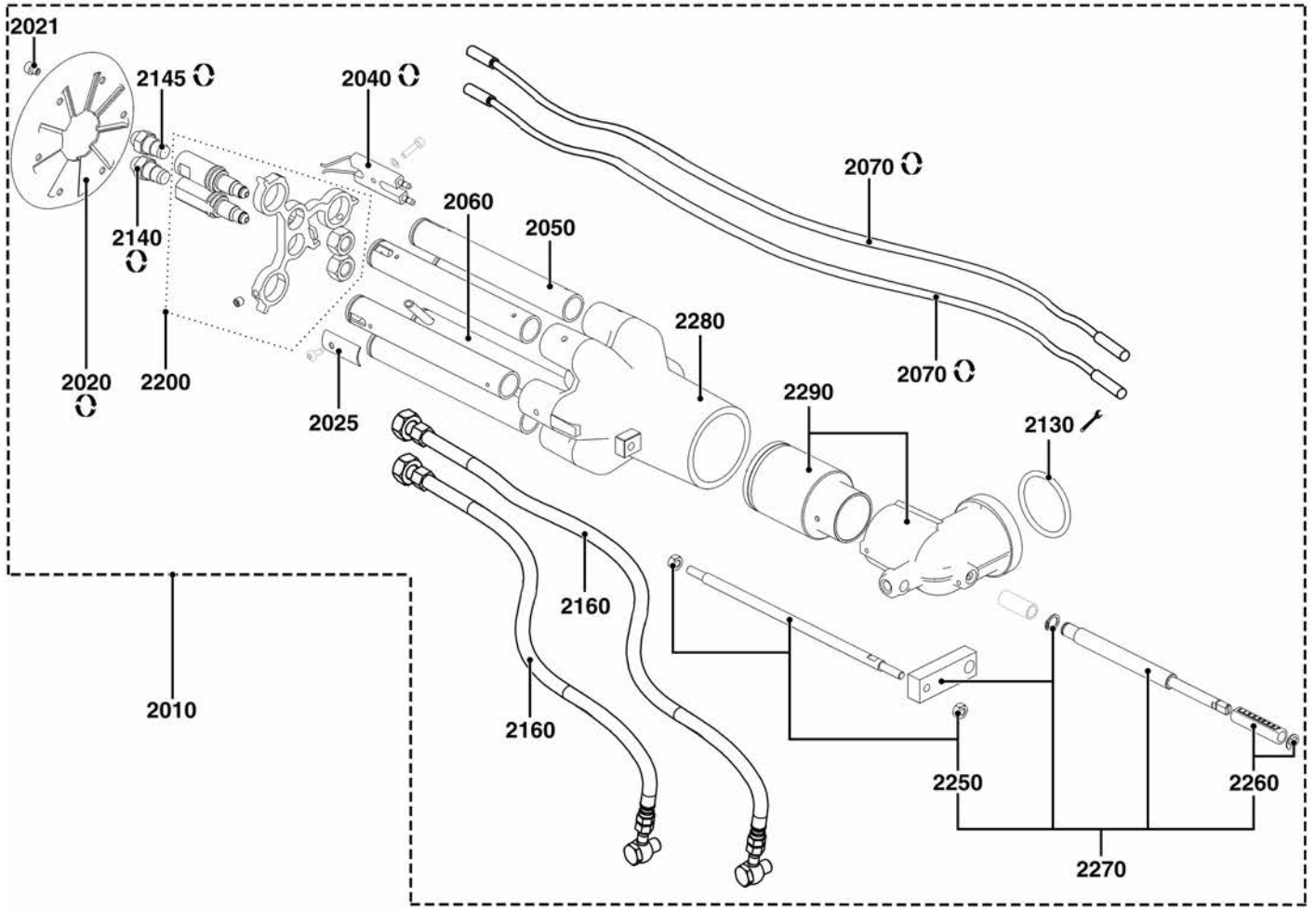
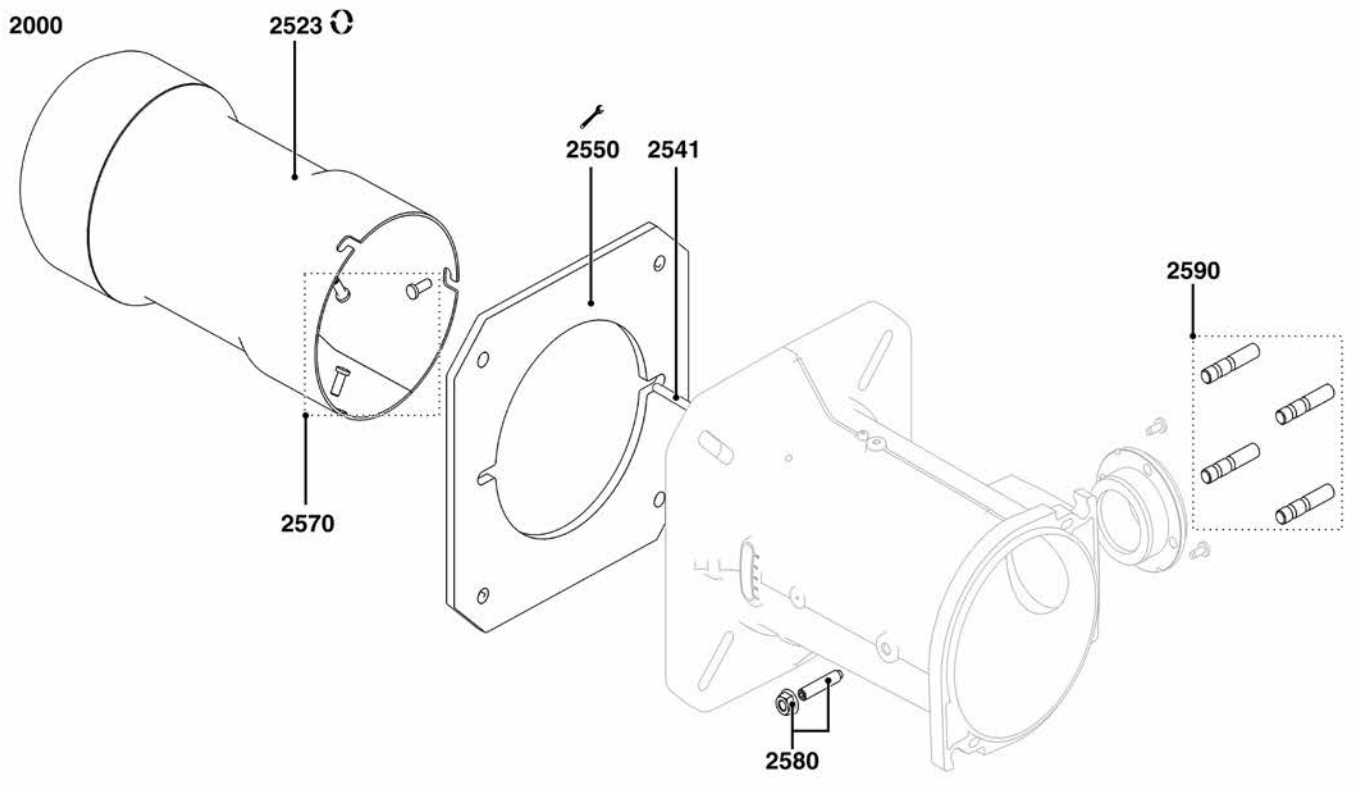


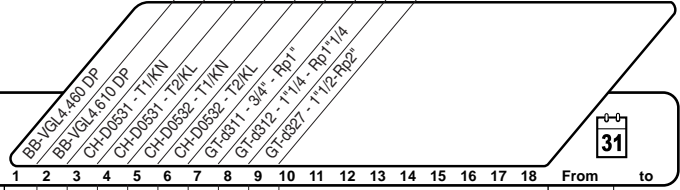
☉ ⇒	Description	Manf. Pt. N	Type	<div style="float: right; border: 1px solid black; padding: 2px; margin-bottom: 5px;"> BB-VGL 4-180 DP BB-VGL 4-610 DP CH-D0531 - 11/KN CH-D0531 - 12/KL CH-D0532 - 11/KN CH-D0532 - 12/KL GT-0911 - 9/4" - P01" GT-0912 - 11/4" - P01" GT-0927 - 11/2"-P02" </div>																		31
				1	2	3	4	5	6	7	8	9	10	11	12	13	14	15	16	17	18	From
1000	BURNER BODY																					
1010	INSULATION AIR INTAKE BOX	65300808			●	●																
1020	AIR RECYCLING (BLACK) H91	65300809				●																
	AIR RECYCLING 119/114X60 78° (BLACK)	13017364				●																
1030	IGNITION TRANSFORMER EBI 2X7.5 230V	13009663			●	●																
1040	GROMMET/HOUSING	13016845			●	●																
1050	AIR FLAP	65300810			●	●																
1060	ACTUATOR STE 4,5 BO37/6 R+CABLE	65300527			●	●																
1070	FAN WHEEL D180X75 D12,7	13011096			●																	
	FAN WHEEL D190X82 D12,7	65300811				●																
1080	GROMMET/PLATE	65300517			●	●																
1100	SIGHT GLASS	13007807			●	●																
1110	HOOD VECTRON4+MOUNTING SCREW	65300812			●	●																
1120	FLAT HEAD SCREW M5X15	65300519			●	●																
1130	DIFFERENTIAL PRESSURE TAP	13022500			●	●																
1140	HOSE D.4/7 LG. 500 MM	13015497			●	●																
1150	CAPACITOR 12μF	13015715	ACC		●																	
	CAPACITOR 16μF 2P 3MM	65301178	ACC			●																
	CAPACITOR 16μF 2P 3MM	65301178	SIMEL		●																	
	CAPACITOR 18μF	65301177	SIMEL			●																
1160	MOTOR 0,42KW 230V D12,7	65300813			●																	
	MOTOR 0,75KW 230V D12,7	65300814				●																
1165	PUMP X COIL AS47/AL35 220/240V	13010006			●	●																
1170	OIL PUMP A2L 65 C 97xx 4P 0500	65300015			●	●																
1171	COUPLING D18/14,7/11X22 PUMP/MOTOR	65074172			●	●																
1175	FILTER KIT D20 A 47/57/67(NM)	13010470			●	●																
1180	AIR PRESS.SWITCH 604.92 1-10MB	65300021			●	●																
1200	OIL HOSE L1,5 M	12002251			●	●																
1205	AUX.RELAY/FAN MOT.+CABLES+CONN.	65301069			●	●																

CB-VGL4DP

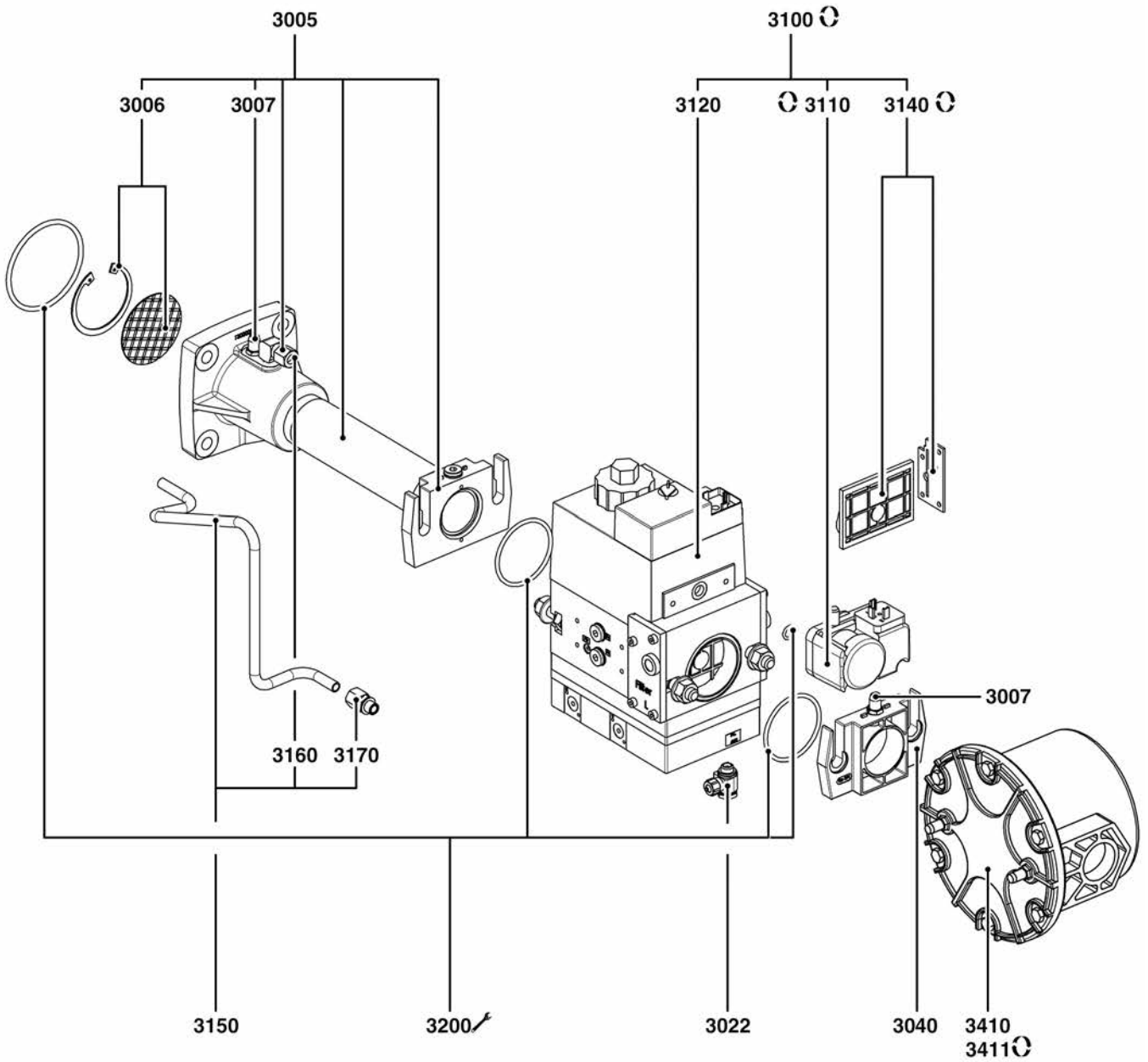
Dual-Fuel burner








	Description	Manf. Pt. N	Type	1 2 3 4 5 6 7 8 9 10 11 12 13 14 15 16 17 18 From to																	
				1	2	3	4	5	6	7	8	9	10	11	12	13	14	15	16	17	18
2000	COMBUSTION HEAD																				
2010	COMPL. LINE NC46B-VGL4.460 T1/KN	65301237				•															
	COMPL. LINE NC46B-VGL4.460 T2/KL	65301239					•														
	COMPL. LINE NC61B-VGL4.610 T1/KN	65301238						•													
	COMPL. LINE NC61B-VGL4.610 T2/KL	65301240							•												
2020	BAFFLE PLATE D125/40 9SL	65301243			•	•	•	•	•												
2021	SCREW SET NATURAL GAS	13010062			•	•	•	•	•												
2025	GAS SHUTTER	65301244			•	•	•	•	•												
2040	ELECTROD.BLOC.25X48 D4D1,5X22 45° +SCREW	13007907			•	•	•	•	•												
2050	GAS TUBE	65301245			•	•	•	•	•												
2060	GAS TUBE/IGNITION	65301246			•	•	•	•	•												
2070	IGNITION CABLE D4/D4 L850 CARBON	13020808			•	•	•	•	•												
2130	O-RING D45X4	13015499			•	•	•	•	•												
2140	NOZZLE DAN 2,50GPH 60° S	13016090			•	•															
	NOZZLE DAN 3,00GPH 60° S	65074670						•	•												
2145	NOZZLE DAN 4,00GPH 60° S	65074673			•	•															
	NOZZLE DAN 4,50GPH 60° S	13018353						•	•												
2160	OIL HOSE DASH03-BANJO-3/8JIC L1100	65301195			•	•	•	•	•												
2200	NOZZLE HOLDER CPL.	65301247			•	•	•	•	•												
2250	ADJUST LINKAGE I KL/T2	65301249				•		•													
	ADJUST LINKAGE I KN/T1	65301248			•			•													
2260	ADJUST SCALE+CIRCLIPS	65301250			•	•	•	•	•												
2270	COMPLETE ADJUSTMENT SPINDLE II T1/KN	65301261			•		•														
	COMPLETE ADJUSTMENT SPINDLE II T2/KL	65301262					•		•												
2280	HEAD GAS	65301263			•	•	•	•	•												
2290	TUBE + GAS ELBOW T1/KN	65301264			•			•													
	TUBE + GAS ELBOW T2/KL	65301265					•		•												
2523	FLAME TUBE D150/132/160/137 L312	65301241			•		•														
	FLAME TUBE D150/132/160/137 L452	65301242					•		•												
2541	FURNACE PRESSURE TUBE L.G.200MM	65301184			•			•													
2550	GASKET/BURNER FLANGE 244X244X8 D158	13007803			•	•	•	•	•												
2570	M6 SCREW (LEFT HAND) BURNER TUBE FIX.	13007804			•	•	•	•	•												
2580	SCREW+NUT M8X40	65300557			•	•	•	•	•												
2590	STUDS SET M10X40	13016814			•	•	•	•	•												
5000	ACCESSORY																				
5001	NOZZLE DAN 2,00GPH 60° S	13016092			•	•	•	•	•												
	NOZZLE DAN 3,00GPH 60° S	65074670			•	•															
	NOZZLE DAN 4,00GPH 60° S	65074673			•	•															
	NOZZLE DAN 5,00GPH 60° S	65074675					•		•												
	NOZZLE DAN 5,50GPH 60° S	65074676						•	•												



	Description	Manf. Pt. N	Type	<div style="display: flex; justify-content: space-between; align-items: center;"> <div style="writing-mode: vertical-rl; transform: rotate(180deg);"> BB-VGL 4..80 DP BB-VGL 4.610 DP CH-D0531 - T1KN CH-D0531 - T2KL CH-D0532 - T1KN CH-D0532 - T2KL GT-0011 - 3/4" - RP1" GT-0012 - 1 1/4" - RP1 1/4" GT-0027 - 1 1/2-RP2" </div> <div style="border: 1px solid black; padding: 2px;">  </div> </div>																		From	to
				1	2	3	4	5	6	7	8	9	10	11	12	13	14	15	16	17	18		
3000	GAS TRAIN																						
3005	COLLECTOR CPL. RP 1"1/4	13014012								•													
	COLLECTOR CPL. RP2	13011796									•												
	COLLECTOR CPL. RP3/4	13014011							•														
3006	STABILISER + CIRCLIP D.60	13011367							•	•	•												
3007	PRESSURE TAP R1/8	13009722							•	•	•												
3022	BANJO UNION LCK-G1/8-PK4	13020682							•	•	•												
3040	FLANGE MB405/407 RP3/4 +O-RING	13010074							•														
	FLANGE MB412 RP1 1/4	13022858								•													
	FLANGE MB420 RP2 + PRES.PLUG	13007859									•												
3100	GAS VALVE MBVEF407 B01 S30 RP3/4"PL=1.2	13011113							•														
	GAS VALVE MBVEF412 B01 S10 RP1"1/4	13010082								•													
	GAS VALVE MBVEF420 B01 S10 RP2"+FP	13011725									•	•											
3110	GAS PRESS. SWITCH GW 150 A5 30-150MB DIN	13010078							•	•	•												
3120	DUN COIL No. 1105 MBVEF407	13010083							•														
	DUN COIL No. 1205 MBVEF412	13010084								•													
	DUN COIL No. 1215 MBVEF420	13011726									•												
3140	FILTERING ELEMENT /MB...405/407	13016011							•														
	FILTERING ELEMENT /MB...410/412	13016012								•													
	FILTERING ELEMENT /MB...420	13007901									•												
3150	GAS PRESSURE TUBE MBVEF407+UNION	13022464							•														
	GAS PRESSURE TUBE MBVEF412+UNION	65300649								•													
	GAS PRESSURE TUBE MBVEF420+UNION	65300669									•												
3160	ANGLED UNION	13023188							•	•	•												
3170	UNION G1/8 + GASKET	13023187							•	•	•												
3200	GASKET SET MB...407	65300575							•														
	GASKET SET MB...412	65300576								•													
	GASKET SET MB...420	65300671									•												
3410	EXTERNAL GAS FILTER RP2	13009700									•												
	GAS FILTER ANELLO RP 1	13010092							•	•													
3411	FILT. ELEMENT RP2 + GASKET	13010044									•												
	FILTERING ELEMENT RP1"-1 1/2"	13010093							•	•													

		DE NL	FR ES	IT	X
1010	65300808	ISOLIERUNG -LUFTKASTEN VL+VG4 ISOLATIE LUCHTKAST	ISOLATION BOITE A AIR AISLAMIENTO CAJA DE AIRE	ISOLAMENTO SCATOLA DELL'ARIA	1
1020	13017364	ANSAUGLUFTFUEHR. 119/114X60 78°(SCHWARZ) LUCHTGELEIDING 119/114X60 78° (ZWART)	RECYCLAGE AIR 119/114X60 78° (NOIR) RECICLAJE DE AIRE 119/114X60 78° (NEGRO)	CONVOGLIATORE ARIA 119/114X60 78° (NERO)	1
	65300809	ANSAUGLUFTFUEHRUNG (SCHWARZ) H91 LUCHTGELEIDING (ZWART) H91	RECYCLAGE AIR (NOIR) H91 RECICLAJE DE AIRE (NEGRO) H91	CONVOGLIATORE ARIA (NERO) H91	1
1030	13009663	ZUENDTRAF0 EBI 2X7,5 230V ONTSTEKINGSTRAFO EBI 2X7,5 230V	ALLUMEUR EBI 2X7,5 230V ENCENDEDOR EBI 2X7,5 230V	TRASFORMATORE ACCENSIONE EBI 2X7,5 230V	1
1040	13016845	KABELDURCHFÜHRUNG / GEHÄUSE DRAADDOORVOER/BRANDERHUIS	PASSE FIL/CARTER PASACABLES/CÁRTER	PASSAFILO/ CARTER	1
1050	65300810	LUFTKLAPPE LUCHTKLEP	VOLET D'AIR VÁLVULA DE AIRE	SERRANDA DELL'ARIA	1
1060	65300527	STELLANTRIEB STE 4,5 B037/6 R+KABEL REGELMOTOR STE 4,5 B037/6 R+KABEL	SERVOMOTEUR STE 4,5 B037/6 R+CABLE SERVOMOTOR STE 4,5 B037/6 R+CABLE	SERVOMOTORE STE 4,5 B037/6 R+CAVO	1
1070	13011096	VENTILATORRAD D180X75 D12,7 VENTILATORWIEL D180X75 D12,7	TURBINE D180X75 D12,7 TURBINA D180X75 D12,7	VENTOLA D180X75 D12,7	1
	65300811	VENTILATORRAD D190X82 D12,7 VENTILATORWIEL D190X82 D12,7	TURBINE D190X82 D12,7 TURBINA D190X82 D12,7	VENTOLA D190X82 D12,7	1
1080	65300517	KABELDURCHFÜHRUNG / GERÄTEPLATTE DRAADDOORVOER/BASISPLAAT	PASSE FIL/PLATINE PASACABLES/PLATINA	PASSAFILO/PIASTRA	1
1100	13007807	SCHAUGLAS KIJKGLAS	VERRE DE REGARD MIRILLA	SPIONCINO	1
1110	65300812	BRENNERHAUBE VECTRON4+SCHRAUBE KAP VECTRON4+BEVESTIGINGSSCHROEF	CAPOT VECTRON4+VIS CUBIERTA VECTRON4+TORNILLO DE FIJACIÓN	COFANO VECTRON4+VITE DI FISSAG.	1
1120	65300519	FLACHKOPF-SCHRAUBE M5X15+SPITZE PLATKOPPSCHROEF M5X15	VIS A TETE PLATE M5X15 TORNILLO DE CABEZA PLANA M5X15	VITE A TESTA PIANA M5X15	1
1130	13022500	LUFTDRUCKNIPPEL MEETAANSluiting VAN DE VERSCHILD.R.	PRISE DE PRESSION DIFFERENTIELLE TOMA DE PRESIÓN DIFERENCIAL	PRESA DI PRESSIONE DIFFERENZIALE	1
1140	13015497	SCHLAUCH ID4/7X500 SILIKON TRANSPARENT SLANG D.4/7 LG. 500 MM	TUYAU D.4/7 LG. 500 MM MANGUERA D.4/7 LG. 500 MM	TUBO D.4/7 LG. 500 MM	1
1150	13015715	KONDENSATOR 12µF CONDENSATOR 12µF	CONDENSATEUR 12µF CONDENSADOR 12µF	CONDENSATORE 12µF	1
	65301177	KONDENSATOR 18µF CONDENSATOR 18µF	CONDENSATEUR 18µF CONDENSADOR 18µF	CONDENSATORE 18µF	1
	65301178	KONDENSATOR 16µF 2P 3MM CONDENSATOR 16µF 2P 3MM	CONDENSATEUR 16µF 2P 3MM CONDENSADOR 16µF 2P 3MM	CONDENSATORE 16µF 2P 3MM	1
1160	65300813	MOTOR 0,42KW 230V D12,7 MOTOR 0,42KW 230V D12,7	MOTEUR 0,42KW 230V D12,7 MOTOR 0,42KW 230V D12,7	MOTORE 0,42KW 230V D12,7	1
	65300814	MOTOR 0,75KW 230V D12,7 MOTOR 0,75KW 230V D12,7	MOTEUR 0,75KW 230V D12,7 MOTOR 0,75KW 230V D12,7	MOTORE 0,75KW 230V D12,7	1
1165	13010006	SPULE FÜR PUMPE AS47/AL35 220/240V SPOEL POMP AS47/AL35 220/240V	BOBINE X POMPE AS47/AL35 220/240V BOBINA P/BOMBA AS47/AL35 220/240V	BOBINA X POMPA AS47/AL35 220/240V	1
1170	65300015	OELPUMPE A2L 65 C 97xx 4P 0500 POMP A2L 65 C 97xx 4P 0500	POMPE FIOUL A2L 65 C 97xx 4P 0500 BOMBA A2L 65 C 97xx 4P 0500	POMPA A2L 65 C 97xx 4P 0500	1
1171	65074172	KUPPLUNG D18/14,7/11X22 PUMPE/MOTOR KOPPELING D18/14,7/11X22 POMP/MOTOR	ACCOUPLMENT D18/14,7/11X22 POMPE/MOTEUR ACOPAMIENTO D18/14,7/11X22 BOMBA/MOTOR	GIUNTO D18/14,7/11X22 POMPA/MOTORE	1
1175	13010470	FILTER+DECKELDICHTUNG D20 A 47/57/67(NM) FILTER EN DEKSELPAKK. AL/AS/AE/AT Ø51X19	KIT FILTRE D20 A 47/57/67(NM) KIT DE FILTRO D20 A 47/57/67(NM)	KIT FILTRO D20 A 47/57/67(NM)	1
1180	65300021	LUFTDRUCKWACHTER 604.92 1-10MB LUCHTDRIUKSCHAKELAAR 604.92 1-10MB	MANOSTAT AIR 604.92 1-10MB PRESOSTATO AIRE 604.92 1-10MB	PRESSOSTATO ARIA 604.92 1-10MB	1
1200	12002251	OELSCHLAUCH DN 6X1500 R1/4Z-R3/8Z OLIESLANG 1/4ZX3/8ZX1500MM EXCL.NIPPELS	FLEXIBLE L1,5 M LATIGUILLLO L1,5 M	FLESSIBILE L1,5 M	1
1205	65301069	RELAIS BG F.GEBLAESEMOTOR HULPRELAIS VENTILATORMOTOR+KAB.	RELAIS AUX. / MOTEUR DE VENTIL. RELÉ AUXIL. DEL MOTOR DE VENTIL.+CONN.	RELE AUSIL. MOTORE DEL VENTILATORE	1
1505	65300679	KABELHALTER KUNSTSTOFF 10 STUECK KABELHOUDER ZWART D.6(X10)	SERRE-CABLE PLASTIQUE NOIR D.6(X10) ABRAZADERA DE SOPORTE CABLE(NEGRO)D.6	SUPPORTO CAVO NERO D.6(X10)	1
1520	13007855	FOTOZELLE IRD 1020 BLAU AXIAL KPL. FOTOCEL IRD 1020 BLAUW AXIAL EQ.	CELLULE IRD 1020 BLEU AXIAL ASS. CELULA IRD 1020 AZUL AXIAL EQ.	CELLULA IRD 1020 BLU AXIAL ASS.	1
1521	13010461	FOTOZELLENHALTER M93 ZU IRD 1020 STEUN FOTOCEL M93 VOOR IRD1020.1	SUPPORT CELLULE M93 POUR IRD1020.1 SOPORTE M93 DE LA CELULA IRD1020.1	SOSTEGNO RIVELAT. M93 PER IRD1020.1	1
1522	65300210	FOTOZELLEKABEL IRD+STCK 3P/RAST3P L400 KABEL FOTOCEL IRD+STCK3P/RAST3P L400	CABLE CELL.IRD+PRISE 3P/RAST3P L400 CABLE CELULA IRD+TOMA 3P/RAST3P L400	CAVO CELLULA IRD+PRESA 3P/RAST3P L400	1
1523	13015251	FOTOZELLEKABEL MZ+STCK 2P/RAST2P L365 KABEL FOTOCEL MZ+STCK2P/RAST2P L365	CABLE CELL.MZ+PRISE 2P/RAST2P L365 CABLE CELULA MZ+TOMA 2P/RAST2P L365	CAVO CELLULA MZ+PRESA 2P/RAST2P L365	1
1525	13009774	FOTOZELLE MZ 770 S FOTOCEL MZ 770 S	CELLULE MZ 770 S CELULA MZ 770 S	CELLULA MZ 770 S	1
1530	65301021	FEUERUNGSAUTOMAT TCG 511.00 BRANDERAUTOMAAT TCG 511.00	COFFRET TCG 511.00 PROGRAMADOR TCG 511.00	APPARECCHIATURA TCG 511.00 (R2.2)	1
1535	65300878	FEUERUNGSAUTOMAT TCH 211.00 BRANDERAUTOMAAT TCH 211.00	COFFRET TCH 211.00 PROGRAMADOR TCH 211.00	APPARECCHIATURA TCH 211.00	1
1540	65300524	HALTER ZU FEUERUNGSAUTOMAT + ANZEIGEEINH STEUN VAN DE AUTOMAAT+DISPLAY	SUPPORT COFFRET+AFFICHEUR SOPORTE DEL CAJETÍN+PANTALLA	SUPPORTO PROGRAMMATTORE+VISUALIZ.	1

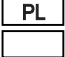

		DE	FR	IT	
		NL	ES		
1545	65301234	HALTER/WIELAND STECKER STEUN/WIELAND-STEKKER	SUPPORT/PRISE WIELAND SOPORTE/TOMA WIELAND	SUPPORTO/PRESA WIELAND	1
1550	65301109	ANZEIGE/FEUERUNGSANZEIGEN.TCG-TCH R2.2 + KABEL DISPLAY/BRANDERAUT. TCG-TCH R2.2 + KABEL	AFFICHEUR/COFFRET TCG-TCH R2.2 + CABLE PANTALLA/PROGRAMAD. TCG-TCH R2.2 + CABLE	DISPLAY/APPARECCHIA. TCG-TCH R2.2 + CAVO	1
1560	65301232	KABEL+WIE.STOCK7P+4P+RAST3P/7P+RAST3PL650 KABEL+P. WI.7P+4P+RAST3P/7P+RAST3P L650	CABLE+P.WIE.7P+4P+RAST3P/7P+RAST3P L650 CABLE+P.WIE.7P+4P+RAST3P/7P+RAST3P L650	CAVO+P. WIE.7P+4P+RAST3P/7P+RAST3P L650	1
1565	65301233	KABEL LDW+STECKER 2P/2X0,75 L520 L.DRUKSCHAKEL.KABEL+STCK2P/2X0,75 L520	CABLE MANOSTAT AIR+PRISE 2P/2X0,75 L520 CABLE PRESOST.AIRE+TOMA 2P/2X0,75 L520	CAVO PRESSOST.ARIA+PRESA 2P/2X0,75 L520	1
1570	65300570	KABEL GASVENTIL+STCK DIN/RAST5P L1500 KABEL GASKLEP+STCKDIN/RAST5P L1500	CABLE VANNE GAZ+PRISE DIN/RAST5P L1500 CABLE VALVULA GAS+TOMA DIN/RAST5P L1500	CAVO VALVOLA GAS+PRESA DIN/RAST5P L1500	1
1575	13023698	KABEL GDW.+STECKER DIN/RAST2P L1500 G.DRUKSCHAKEL.KABEL+STCKDIN/RAST2P L1500	CABLE MANO GAZ+PRISE DIN/RAST2P L1500 CABLE PRESOST.AIRE+TOMA DIN/RAST2P L1500	CAVO PRESSOST.GAS+PRESA DIN/RAST2P L1500	1
1580	13011090	KABEL ÖLVENTIL+STCK 3P/RAST3P L420V1 KABEL MAGNEETKLEP+STCK3P/RAST3P L420V1	CABLE EL.VANNE+PRISE 3P/RAST3P L420V1 CABLE EL.VALVULA+TOMA 3P/RAST3P L420V1	CAVO EL.VALVOLA+PRESA 3P/RAST3P L420V1	1
1585	65300530	KABEL ÖLVENTIL+STCK 3P/RAST3P L420V2 KABEL MAGNEETKLEP+STCK.3P/RAST3P L420V2	CABLE EL.VANNE+PRISE 3P/RAST3P L420V2 CABLE EL.VALVULA+TOMA 3P/RAST3P L420V2	CAVO EL.VALVOLA+PRESA 3P/RAST3P L420V2	1
1590	65301231	KABEL ZÜNDTRAF0+2P/RAST2P/2X0,75L730+350 ONTS.TRAFOKABEL+2P/R. 2P 2X0,75 L730+350	CABLE ALLUMEUR+2P/RAST2P/2X0,75L730+350 CABLE ENC.+TOMA2P/RAST2P 2X0,75 L730+350	CAVO TRASFOACC.+2P/RAST2P/2X0,75L730+350	1
1600	65301230	KABEL MOTOR+STCK 3P+RAST3P/3P L850+L300 KABEL MOTOR+S.3P+RAST3P/RAST3P L850+L300	CABLE MOTEUR+3P+RAST3P/RAST3P L850+L300 CABLE MOTOR+T.3P+RAST3P/RAST3P L850+L300	CAVO MOTORE+P.3P+RAST3P/RAST3P L850+L300	1
1700	65301235	ZWEISTOFF-MODUL+DECKEL MODULE OP TUEE BRANDSTOF.+DEKSEL	MODULE BICOMBUSTIBLE+COUVERCLE MÓDULO BICOMBUSTIBLE+TAPA	MODULO BICOMBUSTIBILE+COPERCHIO	1
1710	65301236	KABEL+RAST 8P/RAST 8P+RAST 6P L760 KABEL+RAST8P/RAST8P+RAST6P L760	CABLE+RAST8P/RAST8P+RAST6P L760 CABLE+RAST8P/RAST8P+RAST6P L760	CAVO+RAST 8P/RAST 8P+RAST 6P L760	1
1920	65326516	FOTOZELLE QRB1A LG.570+RAST5 FOTOCEL QRB1A LG.570+RAST5	CELLULE QRB1A LG.570+RAST5 CELULA QRB1A LG.570+RAST5	FOTOCELLULA QRB1A LG.570+RAST5	1
2010	65301237	BRENNKOPF KPL. NC46B-VGL4.460 T1/KN LIJN CPL. NC46B-VGL4.460 T1/KN	LIGNE COMP. NC46B-VGL4.460 T1/KN LÍNEA COMPLETA NC46B-VGL4.460 T1/KN	LINEA COMPLETA NC46B-VGL4.460 T1/KN	1
	65301238	BRENNKOPF KPL. NC61B-VGL4.610 T1/KN LIJN CPL. NC61B-VGL4.610 T1/KN	LIGNE COMP. NC61B-VGL4.610 T1/KN LÍNEA COMPLETA NC61B-VGL4.610 T1/KN	LINEA COMPLETA NC61B-VGL4.610 T1/KN	1
	65301239	BRENNKOPF KPL. NC46B-VGL4.460 T2/KL LIJN CPL. NC46B-VGL4.460 T2/KL	LIGNE COMP. NC46B-VGL4.460 T2/KL LÍNEA COMPLETA NC46B-VGL4.460 T2/KL	LINEA COMPLETA NC46B-VGL4.460 T2/KL	1
	65301240	BRENNKOPF KPL. NC61B-VGL4.610 T2/KL LIJN CPL. NC61B-VGL4.610 T2/KL	LIGNE COMP. NC61B-VGL4.610 T2/KL LÍNEA COMPLETA NC61B-VGL4.610 T2/KL	LINEA COMPLETA NC61B-VGL4.610 T2/KL	1
2020	65301243	STAUSCHEIBE D125/40 9SL STUWPLAAT D125/40 9SL	DEFLECTEUR D125/40 9SL DEFLECTOR D125/40 9SL	DIFFUSORE D125/40 9SL	1
2021	13010062	SCHRAUBE M5X6+BOHRUNG D2 SET SCHROEVEN AARDGAS	ACCESS. KIT GAZ NATUREL KIT TORNILLOS GAS NATURAL	SET VITI GAS NATURALE	1
2025	65301244	GASHUELSE GAS AFSLUITER	OBTURATEUR GAZ CONJUNTO DE GAS	OTTURATORE GAS	1
2040	13007907	ZUENDELEK.BLO.25X48D4D1,5X22 45° + SCHR. ELEKTRODENBL.25X48 D4D1,5X22 45° +SCHR0.	BLOC-ELECTRODES 25X48 D4D1,5X22 45° +VIS BLOQ.ELECT.25X48 D4D1,5X22 45° +TORNILLO	BLOCCO ELETTR0D.25X48D4D1,5X22 45° +VITE	1
2050	65301245	GASDUESE GAS VERSPREIDER	TUBE INJECTEUR GAZ DIFUSOR DE GAS	DIFFUSORE GAS	1
2060	65301246	GASDUESE/ZUENDUNG GAS VERSPREIDER (ONTSTEK.)	TUBE INJECTEUR GAZ/ALLUMAGE DIFUSOR DE GAS/ENCENDIDO	DIFFUSORE GAS (ACCEND.)	1
2070	13020808	ZÜNDKABEL D4/D4 L850 CARBON ONTSTEKINGSKABEL D4/D4 L850 CARBON	CABLE ALLUMAGE D4/D4 L850 CARBONE CABLE ENCENDIDO D4/D4 L850 CARBON	CAVO ACCENSIONE D4/D4 L850 CARBON	1
2130	13015499	O-RING D45X4 O-RING D45X4	O-RING D45X4 O-RING D45X4	O-RING D45X4	1
2140	13016090	DUESE DAN 2,50GPH 60° S SPROEIER DAN 2,50GPH 60° S	GICLEUR DAN 2,50GPH 60° S BOQUILLA DAN 2,50GPH 60° S	UGELLO DAN 2,50GPH 60° S	1
	65074670	DUESE DAN 3,00GPH 60° S SPROEIER DAN 3,00GPH 60° S	GICLEUR DAN 3,00GPH 60° S BOQUILLA DAN 3,00GPH 60° S	UGELLO DAN 3,00GPH 60° S	1
2145	13018353	DUESE DAN 4,50GPH 60° S SPROEIER DAN 4,50GPH 60° S	GICLEUR DAN 4,50GPH 60° S BOQUILLA DAN 4,50GPH 60° S	UGELLO DAN 4,50GPH 60° S	1
	65074673	DUESE DAN 4,00GPH 60° S SPROEIER DAN 4,00GPH 60° S	GICLEUR DAN 4,00GPH 60° S BOQUILLA DAN 4,00GPH 60° S	UGELLO DAN 4,00GPH 60° S	1
2160	65301195	SCHLAUCH DASH03-BANJO-3/8JIC LG.1100 SLANG DASH03-BANJO-3/8JIC L1100	FLEXIBLE DASH03-BANJO-3/8JIC L1100 LATIGUILLO DASH03-BANJO-3/8JIC L1100	TUBO FLESS. DASH03-BANJO-3/8JIC L1100	1
2200	65301247	DUESENHALTER KPL. SPROEIERHOUDER COMPL.	PORTE GICLEUR EQ. PORTA BOQUILLA EQ.	PORTA UGELLO COMPL.	1
2250	65301248	REGULIERSTANGE I KN/T1 STELSTANG I KN/T1	TIGE DE REGLAGE I KN/T1 VARILLA DE AJUSTE I KN/T1	ASTA DI REGOLAZIONE I KN/T1	1
	65301249	REGULIERSTANGE I KL/T2 STELSTANG I KL/T2	TIGE DE REGLAGE I KL/T2 VARILLA DE AJUSTE I KL/T2	ASTA DI REGOLAZIONE I KL/T2	1
2260	65301250	EINSTELLSKALA MIT CLIPS NONIUS+KLEMMETJE	VERNIER+CIRCLIPS NONIO+CIRCLIPS	REGOLATORE+ANELLI ELASTICI	1
2270	65301261	REGULIERSTANGE II KOMPLETT T1/KN VERSTELSTIFT II COMPLEET T1/KN	TIGE DE REGLAGE II COMPLETE T1/KN VARILLA DE AJUSTE II COMPLETO T1/KN	ASTINA REGOLAZIONE II COMPLETA T1/KN	1
	65301262	REGULIERSTANGE II KOMPLETT T2/KL VERSTELSTIFT II COMPLEET T2/KL	TIGE DE REGLAGE II COMPLETE T2/KL VARILLA DE AJUSTE II COMPLETO T2/KL	ASTINA DI REGOLAZIONE II COMPLETA T2/KL	1

		DE NL	FR ES	IT	X
2280	65301263	GASKOPF HOOFD GAS	TETE GAZ CABEZA GAS	TESTA GAS	1
2290	65301264	ROHR + GASBOGEN T1/KN BUIJS + ELLEBOOG GAS T1/KN	TUBE + COUDE GAZ T1/KN TUBO + CODO GAS T1/KN	TUBO + GOMITO GAS T1/KN	1
	65301265	ROHR + GASBOGEN T2/KL BUIJS + ELLEBOOG GAS T2/KL	TUBE + COUDE GAZ T2/KL TUBO + CODO GAS T2/KL	TUBO + GOMITO GAS T2/KL	1
2523	65301241	FLAMMENROHR D150/132/160/137 L312 BRANDERBUIJS D150/132/160/137 L312	TUBE DE FLAMME D150/132/160/137 L312 TUBO DE LLAMA D150/132/160/137 L312	BOCCAGLIO D150/132/160/137 L312	1
	65301242	FLAMMENROHR D150/132/160/137 L452 BRANDERBUIJS D150/132/160/137 L452	TUBE DE FLAMME D150/132/160/137 L452 TUBO DE LLAMA D150/132/160/137 L452	BOCCAGLIO D150/132/160/137 L452	1
2541	65301184	DRUCKROHR FEUERRAUM L200MM BUIJS KAMERDRUK LG.200MM	TUBE PRESSION FOYER LG.200MM TUBO DE PRESIÓN DEL HOGAR LG. 200MM	TUBO PRESSIONE CAMERA LG.200MM	1
2550	13007803	DICHTUNG/BRENNERFLANSCH 244X244X8 D158 PAKKING/OPHANGFLENS 244X244X8 D158	JOINT/BRIDE BRULEUR 244X244X8 D158 JUNTA/BRIDA QUEMADOR 244X244X8 D158	GUARNIZIONE/FLANGIA BRUC. 244X244X8 D158	1
2570	13007804	SCHRAUBEN-SET M6X1 LINKSGEWINDE/VPE 3STK M6-BEV.SCHROEF (NIET LINKS) BRANDERPIJP	VIS M6 (PAS GAUCHE)FIX. TUBE BRULEUR TORNILLOS M6 (R.IZQ.) FIJ. TUBO QUEMADOR	VITE M6 (PASSO SX) FISS. TUBO BRUCIATORE	1
2580	65300557	SCHRAUBE+MUTTER M8X40 SCHROEF+MOER M8X40	VIS+ECROU M8X40 TORNILLO+TUERCA M8X40	VITE+DADO M8X40	1
2590	13016814	STEBBOLZEN-SET M10X40+MUTTER (X4) SET TAPEINDEN M10X40	KIT GOUJONS M10X40 KIT PASADORES M10X40	SET PRIGIONIERI M10X40	1
3005	13011796	GASANSCHLUSSROHR KPL.R2Z MB420 FLENS/COLLECTOR VOLL. RP2	BRIDE/COLLECTEUR CPL. RP2 BRIDA/COLECTOR CPL. RP2	FLANGIA/COLLETTORE ACC. RP2	1
	13014011	GASANSCHLUSSROHR MB407 3/4Z COLLECTOR VOLL. RP3/4	COLLECTEUR CPL. RP3/4 COLECTOR CPL. RP3/4	COLLETTORE ACC. RP3/4	1
	13014012	GASANSCHLUSSROHR KPL. R1 1/4Z COLLECTOR VOLL. RP 1"1/4	COLLECTEUR CPL. RP 1"1/4 COLECTOR CPL. RP 1"1/4	COLLETTORE ACC. RP 1"1/4	1
3006	13011367	SICHERUNGSRING U.STABILISATOR D60 STABILISATOR+ BORGVEREN D.60	STABILISATEUR+ CIRCLIPS D.60 ESTABILIZADOR+ ANILLO DE RETÉN D.60	STABILIZZATORE+ANELLI ELASTICI D.60	1
3007	13009722	MESSNIPPEL GERADE R1/8Z-VERPACKT DRUKAANSLUITING R1/8	PRISE PRESSION R1/8 TOMA PRESIÓN R1/8	PRESA PRESSIONE R1/8	1
3022	13020682	SCHWENKVERSCHRAUBUNG LCK-G1/8-PK4 "BANJO" AANSLUITING LCK-G1/8-PK4	RACCORD BANJO LCK-G1/8-PK4 RACOR TIPO "BANJO" LCK-G1/8-PK4	RACCORDO "BANJO" LCK-G1/8-PK4	1
3040	13007859	FLANSCH MB420 RP2 + DRUCKSTECKER FLENS MB420 RP2 + AFTAKKING DRUK	BRIDE MB420 RP2 + PRISE PRESSION BRIDA MB420 RP2 + TOMA DE PRESIÓN	FLANGIA MB420 RP2 + PRESA PRESSIONE	1
	13010074	FLANSCH MB405/407 RP3/4 +O-RING FLENS MB405/407 RP3/4 +O-RING	BRIDE MB405/407 RP3/4 +O-RING BRIDA MB405/407 RP3/4 +O-RING	FLANGIA MB405/407 RP3/4 +O-RING	1
	13022858	FLANSCH MB412 RP1 1/4 FLENS MB412 RP1 1/4	BRIDE MB412 RP1 1/4 BRIDA MB412 RP1 1/4	FLANGIA MB412 RP1 1/4	1
3100	13010082	GASVENTIL MBVEF412 B01 S10 RP1"1/4 GASKLEP MBVEF412 B01 S10 RP1"1/4	VANNE GAZ MBVEF412 B01 S10 RP1"1/4 VALVULA GAS MBVEF412 B01 S10 RP1"1/4	VALVOLA GAS MBVEF412 B01 S10 RP1"1/4	1
	13011113	GASVENTIL MBVEF407 B01 S30 RP3/4"PL=1,2 GASKLEP MBVEF407 B01 S30 RP3/4"PL=1,2	VANNE GAZ MBVEF407 B01 S30 RP3/4"PL=1,2 VÁLV. GAS MBVEF407 B01 S30 RP3/4"PL=1,2	VALV. GAS MBVEF407 B01 S30 RP3/4"PL=1,2	1
	13011725	GASVENTIL MBVEF420 B01 S10 RP2"+FP GASKLEP MBVEF420 B01 S10 RP2"+FP	VANNE GAZ MBVEF420 B01 S10 RP2"+FP VÁLV. GAS MBVEF420 B01 S10 RP2"+FP	VALVOLA GAS MBVEF420 B01 S10 RP2"+FP	1
3110	13010078	GASDRUCKWÄCHTER GW 150 A5 30-150MB DIN GASDRUKREGELAAR GW 150 A5 30-150MB DIN	MANOSTAT GAZ GW 150 A5 30-150MB DIN INTER. PRESIÓN GASGW 150 A5 30-150MB DIN	PRESSOSTATO GAS GW 150 A5 30-150MB DIN	1
3120	13010083	SPULE DUN N° 1105 MBVEF407 SPOEL DUN NR. 1105 MBVEF407	BOBINE DUN N° 1105 MBVEF407 BOBINA DUN N° 1105 MBVEF407	BOBINA DUN N° 1105 MBVEF407	1
	13010084	SPULE DUN N° 1205 MBVEF412 SPOEL DUN NR. 1205 MBVEF412	BOBINE DUN N° 1205 MBVEF412 BOBINA DUN N° 1205 MBVEF412	BOBINA DUN N° 1205 MBVEF412	1
	13011726	SPULE DUN N° 1215 MBVEF420 SPOEL DUN NR. 1215 MBVEF420	BOBINE DUN N° 1215 MBVEF420 BOBINA DUN N° 1215 MBVEF420	BOBINA DUN N° 1215 MBVEF420	1
3140	13007901	FILTEREINSATZ/TASCHENF.MB... 420 FILTERELEMENT /MB...420	ELEMENT FILTRANT /MB...420 ELEMENTO FILTROS /MB...420	ELEMENTO FILTRANTE /MB...420	1
	13016011	FILTEREINSATZ MB405/407 73X50 DUN FILTERELEMENT /MB...405/407	ELEMENT FILTRANT /MB...405/407 ELEMENTO FILTROS /MB...405/407	ELEMENTO FILTRANTE /MB...405/407	1
	13016012	FILTEREINSATZ MB410/412 96x65 DUN FILTERELEMENT /MB...410/412	ELEMENT FILTRANT /MB...410/412 ELEMENTO FILTROS /MB...410/412	ELEMENTO FILTRANTE /MB...410/412	1
3150	13022464	DRUCKABNAHMEROHHR MBVEF407 GASDRUKBUIJS MBVEF407+AANSLUITING	TUBE PRESSION GAZ MBVEF407+RACCORD TUBO DE PRESIÓN GAS MBVEF 407+EMPALME	TUBO DELLA PRESSIONE GAS MBVEF407	1
	65300649	DRUCKABNAHMEROHHR MBVEF412 GASDRUKBUIJS MBVEF412+AANSLUITING	TUBE PRESSION GAZ MBVEF412+RACCORD TUBO DE PRESIÓN GAS MBVEF412+EMPALME	TUBO DELLA PRESSIONE GAS MBVEF412	1
	65300669	DRUCKABNAHMEROHHR MBVEF420 GASDRUKBUIJS MBVEF420+AANSLUITING	TUBE PRESSION GAZ MBVEF420+RACCORD TUBO DE PRESIÓN GAS MBVEF420+EMPALME	TUBO DELLA PRESSIONE GAS MBVEF420	1
3160	13023188	WINKELVERSCHRAUBUNG GEBOGEN AANSLUITING	RACCORD COUDE RACOR ACODADO	RACCORDO A GOMITO	1
3170	13023187	VERSCHRAUBUNG 1/8Z D8 MB 407/412/420 AANSLUITING G1/8 + AFDICHTING	RACCORD G1/8+JOINT RACOR G1/8 + JUNTA	RACCORDO G1/8 + GUARNIZIONE	1
3200	65300575	O-RING-SET MB 407 PAKKINGSET MB...407	KIT JOINTS MB...407 KIT DE JUNTAS MB...407	KIT GUARNIZIONI MB...407	1
	65300576	O-RING-SET MB 412 PAKKINGSET MB...412	KIT JOINTS MB...412 KIT DE JUNTAS MB...412	KIT GUARNIZIONI MB...412	1


		DE	FR	IT	
		NL	ES		
	65300671	O-RING-SET MB 420 PAKINGSET MB...420	KIT JOINTS MB...420 KIT DE JUNTAS MB...420	KIT GUARNIZIONI MB...420	1
3410	13009700	EXTERNER GASFILTER RP2 FILTER GAS EXTERN RP2	FILTRE GAZ EXTERNE RP2 FILTRO GAS EXTERNO RP2	FILTRO GAS ESTERNO RP2	1
	13010092	GASFILTER R1Z GASFILTER RP1	FILTRE GAZ RP 1 FILTRO PARA GAS EXTERIOR RP1	FILTRO GAS RP1	1
3411	13010044	GASFILTER-EINSATZ+O-RING F.ANELLO R2Z FILTERELEMENT RP2+DICHTING	ELEMENT FILT. RP2+JOINT ELEMENTO FILT. RP2+JUNTA	ELEMENTO FILT. RP2+GUARNIZIONE	1
	13010093	GASFILTEREINSATZ+ O-RING R1Z FILTERELEMENT RP1"-1 1/2"	ELEMENT FILTRANT RP1"-1 1/2" ELEMENTO DE FILTRO RP1"-1 1/2"	ELEMENTO FILTRANTE RP1"-1 1/2"	1
5001	13016092	DUESE DAN 2,00GPH 60° S SPROEIER DAN 2,00GPH 60° S	GICLEUR DAN 2,00GPH 60° S BOQUILLA DAN 2,00GPH 60° S	UGELLO DAN 2,00GPH 60° S	1
	65074670	DUESE DAN 3,00GPH 60° S SPROEIER DAN 3,00GPH 60° S	GICLEUR DAN 3,00GPH 60° S BOQUILLA DAN 3,00GPH 60° S	UGELLO DAN 3,00GPH 60° S	1
	65074673	DUESE DAN 4,00GPH 60° S SPROEIER DAN 4,00GPH 60° S	GICLEUR DAN 4,00GPH 60° S BOQUILLA DAN 4,00GPH 60° S	UGELLO DAN 4,00GPH 60° S	1
	65074675	DUESE DAN 5,00GPH 60° S SPROEIER DAN 5,00GPH 60° S	GICLEUR DAN 5,00GPH 60° S BOQUILLA DAN 5,00GPH 60° S	UGELLO DAN 5,00GPH 60° S	1
	65074676	DUESE DAN 5,50GPH 60° S SPROEIER DAN 5,50GPH 60° S	GICLEUR DAN 5,50GPH 60° S BOQUILLA DAN 5,50GPH 60° S	UGELLO DAN 5,50GPH 60° S	1

CB-VGL4DP
Dual-Fuel burner

					
1010	65300808	ИЗОЛЯЦИЯ ВОЗДУШНОГО БЛОКА İZOLASYONU HAVA KUTUSU	ISOLAMENTO CAIXA DE ENTRADA DE AR	IZOLACJA OBUDOWA UKŁADU POWIETRZA	1
1020	13017364	ЗАСЛОН.РЕЦИРК.ВОЗДУХА 119/114X60(ЧЕРНЫЙ) HAVA GERİ DÖNÜŞÜMÜ 119/114X60 78°(SİYAH)	RECICLAGEM DE AR 119/114X60 78° (PRETO)	RECYRKUL.POWIETR. 119/114X60 78°(CZARNY)	1
	65300809	РЕЦИРКУЛЯТОР ВОЗДУХА (ЧЕРНЫЙ) H91 HAVA GERİ DOENÜŞÜMÜ (SİYAH) H91	RECICLAGEM DE AR (PRETO) H91	RECYRKULACJA POWIETRZA (CZARNY) H91	1
1030	13009663	ТРАНСФО РОЗЖИГА EBI 2X7,5 230V ATEŞLEME TRAFÖ. EBI 2X7,5 230V	TRANSFO IGNIÇÃO EBI 2X7,5 230V	TRANSFO ZAPŁONOWY EBI 2X7,5 230V	1
1040	13016845	МУФТА ПРОПУСКА ПРОВОДА/КАРТЕР KABLO KANALI/KARTER	PASSA-CABOS/CAIXA	PRZELOTKA PRZEWODU/OBUDOWA	1
1050	65300810	ВОЗДУШНАЯ ЗАСЛОНКА HAVA KLAPESI	ALETA DE AR	PRZEPUSTNICA POWIETRZA	1
1060	65300527	СЕРВОПРИВОД STE 4,5 B037/6 R+КАБЕЛЬ SERVOMOTOR STE 4,5 B037/6 R+KABLOSU	SERVOMOTOR STE 4,5 B037/6 R+CABO	SERWOMOTOR STE 4,5 B037/6 R+PRZEWÓD	1
1070	13011096	РАБОЧЕЕ КОЛЕСО D180X75 D12,7 TÜRBİN D180X75 D12,7	TURBINA D180X75 D12,7	WIMIK D180X75 D12,7	1
	65300811	РАБОЧЕЕ КОЛЕСО D190X82 D12,7 TÜRBİN D190X82 D12,7	TURBINA D190X82 D12,7	WIMIK D190X82 D12,7	1
1080	65300517	МУФТА ПРОПУСКА ПРОВОДА/ПЛАСТИНА KABLO KANALI/TABLA	PASSA-CABOS/PLACA	PRZELOTKA PRZEWODU/PLYTKA	1
1100	13007807	СМОТРОВОЕ ОКНО GÖZETLEME CAMI	VIGIA	WZIERNIK	1
1110	65300812	ЧЕХОЛ VECTRON4+ВИНТ КРЕПЛЕНИЯ MUHAFAZA KAPAĞI VECTRON4+BAĞLANTI VIDA	EXTRATOR VECTRON4+PARAFUSO DE FIXAÇÃO	POKRYWA VECTRON4+SRUBA MOCUJĄCA	1
1120	65300519	ВИНТ С ПЛОСКОЙ ГОЛОВКОЙ M5X15 DÜZ BAŞLI VIDA M5X15	PARAFUSO CABEÇA PLANA M5X15	ŚRUBA Z ŁBEM NITOWYM PŁASKIM M5X15	1
1130	13022500	ОТБОР ДАВЛЕНИЯ ПЕРЕПАД DIFERANSİYEL BASINÇ GİRİŞİ	NIPPEL DE PRESSÃO DIFERENCIAL	GNIAZDO POMIARU RÓŻNICA CIŚNIENIA	1
1140	13015497	ТРУБА Д. 4/7 LG. 500 MM BORU D.4/7 LG. 500 MM	MANGUEIRA D.4/7 C. 500 MM	PRZEWÓD D.4/7 LG. 500 MM	1
1150	13015715	КОНДЕНСАТОР 12µF KONDENSATOR 12µF	CAPACITOR 12µF	KONDENSATOR 12 µF	1
	65301177	КОНДЕНСАТОР 18µF KONDENSATOR 18µF	CAPACITOR 18µF	KONDENSATOR 18µF	1
	65301178	КОНДЕНСАТОР 16µF 2P 3MM KONDENSATOR 16µF 2P 3MM	CAPACITOR 16µF 2P 3MM	KONDENSATOR 16µF 2P 3MM	1
1160	65300813	ЭЛЕКТРОДВИГАТЕЛЬ 0,42KW 230V D12,7 MOTORU 0,42KW 230V D12,7	MOTOR 0,42KW 230V D12,7	SILNIK 0,42KW 230V D12,7	1
	65300814	ЭЛЕКТРОДВИГАТЕЛЬ 0,75KW 230V D12,7 MOTORU 0,75KW 230V D12,7	MOTOR 0,75KW 230V D12,7	SILNIK 0,75KW 230V D12,7	1
1165	13010006	ОБМОТКА X НАСОС AS47/AL35 220/240 В BOBİN X POMPA AS47/AL35 220/240V	BOBINA X BOMBA AS47/AL35 220/240V	CEWKA X POMPA AS47/AL35 220/240 V	1
1170	65300015	НАСОС A2L 65 C 97xx 4P 0500 POMPA A2L 65 C 97xx 4P 0500	BOMBA A2L 65 C 97xx 4P 0500	POMPA A2L 65 C 97xx 4P 0500	1
1171	65074172	СЦЕПЛЕНИЕ D18/14,7/11X22НАСОС/ЭЛЕКТРОДВ. KARLİN D18/14,7/11X22 POMPA/MOTORU	ACOPLAMENTO D18/14,7/11X22 BOMBA/MOTOR	ŁĄCZNIK D18/14,7/11X22 POMPA /SILNIK	1
1175	13010470	КОМПЛЕКТ ФИЛЬТР D20 A 47/57/67(NM) FILTRE KİTİ D20 A 47/57/67(NM)	KIT FILTRO D20 A 47/57/67(NM)	ZESTAW FILTR D20 A 47/57/67(NM)	1
1180	65300021	РЕЛЕ ДАВ. ВОЗДУХА 604.92 1-10MB HAVA BASINÇ ŞALT. 604.92 1-10MB	MANÓSTATO DE AR 604.92 1-10MB	CZUJNIK CIŚ. POW. 604.92 1-10MB	1
1200	12002251	ШЛАНГ L1,5 M ESNEK L1,5 M	FLEXIVEL L1,5 M	PRZEWÓD GIĘTKI L1,5 M	1
1205	65301069	РЕЛЕ/МОТОР ВЕНТИЛ.+КАБЕЛИ+СОЕДИН. NAVALANDMOT. YEDEK ROELESI+KABLOL	RELÉ AUX./MOTOR VENTIL.+CABOS+CONECT.	DODATKOWY PRZEKAŹNIK SILNIKA WENTY.	1
1505	65300679	ДЕРЖАТЕЛЬ КАБЕЛЯ KABLO KELEPÇESİNİN D.6(X10)	SUPORTE DO CABO (PRETO) D.6(X10)	ZACISK KABLOWY D.6(X10)	1
1520	13007855	ФОТОРЕЗИСТОР IRD 1020 СИНИЙ AXIAL В СБ. KP. HÜCRE IRD 1020 BLU AXIAL	CELULA IRD 1020 AZUL AXIAL EQ.	KP. FOTOKOMÓRKA IRD 1020 BLU AXIAL	1
1521	13010461	ДЕРЖАТЕЛЬ ДЛЯ ФОТОЭЛЕМЕНТА IRD1020.1 HÜCRE MESNEDİ M93 İÇİN IRD1020.1	SUPORTE FOTOCÉLULA M93 PARA IRD1020.1	WSPORNIK DLA FOTOKOMÓRKA IRD1020.1	1
1522	65300210	КАБЕЛЬ ФОТОРЕЗИСТОР IRD+P.3P/RAST3P L400 KABLOSU HÜCRE IRD+PLUG3P/RAST3P L400	CABO CELULA IRD+TOMADA 3P/RAST3P L400	PRZEWÓD KOMÓRKA IRD+PLUG3P/RAST3P L400	1
1523	13015251	КАБЕЛЬ ФОТОРЕЗИСТОР MZ+PL.2P/RAST2P L365 KABLOSU HÜCRE MZ+PLUG2P/RAST2P L365	CABO CELULA MZ+TOMADA 2P/RAST2P L365	PRZEWÓD KOMÓRKA MZ+PLUG2P/RAST2P L365	1
1525	13009774	ФОТОРЕЗИСТОР MZ 770 S HÜCRE MZ 770 S	CELULA MZ 770 S	FOTOKOMÓRKA MZ 770 S	1
1530	65301021	БЛОК УПРАВЛЕНИЯ TCG 511.00 (R2.2) KUTU TCG 511.00	PROGRAMADOR TCG 511.00	MODUŁ TCG 511.00	1
1535	65300878	БЛОК УПРАВЛЕНИЯ TCH 211.00 KUTU TCH 211.00	PROGRAMADOR TCH 211.00	MODUŁ TCH 211.00	1
1540	65300524	ОПОРА БЛОКА УПРАВЛЕНИЯ+ДИСПЛЕЙ KUTU DESTEĞİ+EKRAN	SUPORTE UNIDADE DE CONTROLE+VISOR	WSPORNIK MODUŁU+WYŚWIETLACZ	1

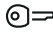



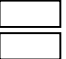

					
1545	65301234	ДЕРЖАТЕЛЬ/РАЗЪЕМ WIELAND DESTEĞI/WIELAND GIRIŞ	SUPORE/TOMADA WIELAND	WSPORNIK/GNIAZDO WIELAND	1
1550	65301109	ДИСПЛЕЙ БЛОК УПРАВ. TCG-TCH R2.2 + КАБЕЛЬ EKRAN İÇİN KUTU TCG-TCH R2.2 + KABLOSU	VISOR / PROGRAMADOR TCG-TCH R2.2 + CABO	WYŚWIETLACZ/MODUŁ TCG-TCH R2.2 + PRZEWÓD	1
1560	65301232	КАБЕЛЬ+P.WIE. 7P+4P+RAST3P/7P+RAST3P L650 KABLOSU+WIEL. 7P+4P+RAST3P/7P+RAST3P L650	CABO+TOM.WIE. 7P+4P+RAST3P/7P+RAST3P L650	PRZEWÓD+WIEL. 7P+4P+RAST3P/7P+RAST3P L650	1
1565	65301233	КАБЕЛЬ P. ДАВ. ВОЗДУХА+PL. 2P/2X0,75 L520 HAVA BAS.ŞALT.KABLOSU+PL. 2P/2X0,75 L520	CABO PRESSOST.AR+TOMADA 2P/2X0,75 L520	PRZEWÓD CZUJ.CIŚ. POW.+2P/2X0,75 L520	1
1570	65300570	КАБЕЛЬ ГАЗОВЫЙ КЛАПАН+P.DIN/RAST5P L1500 GAZ VANASI KABLOSU+PLUGDIN/RAST5P L1500	CABO VALVULA GAS+TOMADA DIN/RAST5P L1500	PRZEWÓD ZAWÓR GAZOWY+PL.DIN/RAST5P L1500	1
1575	13023698	КАБЕЛЬ РЕЛЕ ДАВ. ГАЗА+P.DIN/RAST2P L1500 GAZ BAS.ŞALT.KABLOSU+PL.DIN/RAST2P L1500	CABO PRESSOST.GAS+TOMAD.DIN/RAST2P L1500	PRZEWÓD CZUJN.CIŚ.GAZU+DIN/RAST2P L1500	1
1580	13011090	КАБЕЛЬ ЭЛЕКТРОКЛАПАН+PL. 3P/RAST3P L420V1 KABLOSU ELECTROVANNA+PLUG3P/RAST3P L420V1	CABO EL.VALVULA+TOM. 3P/RAST3P L420V1	PRZEWÓD EL.ZAWOR+PLUG3P/RAST3P L420V1	1
1585	65300530	КАБЕЛЬ ЭЛЕКТРОКЛАПАН+ШТ. 3P/RAST3P L420V2 KABLOSU ELECTROVANNA+FIŞ 3P/RAST3P L420V2	CABO EL.VALVULA+TOMADA 3P/RAST3P L420V2	PRZEWÓD EL.ZAWOR+WTYCZK.3P/RAST3P L420V2	1
1590	65301231	КАБЕЛЬ ТРА. РОЗ. +2P/RAST2P 2X0,75L730+350 KABLOSU ATEŞ.TR.+2P/RAST2P2X0,75L730+350	CABO IGNIÇÃO+TOM2P/RAST2P2X0,75 L730+350	PRZEWÓD TR.ZAPŁ.+2P/RA.2P 2X0,75L730+350	1
1600	65301230	КАБЕЛЬ ДВИГАТЕЛЬ+3P+RAST3P/3P L850+L300 MOTORU KABLOSU+PL. 3P+RAST3P/3P L850+L300	CABO MOTOR+TOM3P+RAST3P/RAST3P L850+L300	PRZEWÓD SILN.+PL. 3P+RAST3P/3P L850+L300	1
1700	65301235	КОМБИНИРОВАННЫЕ МОДУЛЬ+КОРОБ ÇİFT YAKITLI MODÜLÜ+KARPAK	MÓDULO BICOMBUSTIBLE+CAPA	MODUŁ DWUPALIWOWE+POKRYWA	1
1710	65301236	КАБЕЛЬ+RAST8P/RAST8P+RAST6P L760 KABLOSU+RAST8P/RAST8P+RAST6P L760	CABO+RAST8P/RAST8P+RAST6P L760	PRZEWÓD+RAST8P/RAST8P+RAST6P L760	1
1920	65326516	ФОТОРЕЗИСТОР QRB1A LG.570+RAST5 HÜCRE QRB1A LG.570+RAST5	CELULA QRB1A LG.570+RAST5	FOTOKOMÓRKA QRB1A LG.570+RAST5	1
2010	65301237	АРМАТУРА ГАЗОПРОВО. NC46B-VGL4.460 T1/KN DONANIMLI HATTI NC46B-VGL4.460 T1/KN	LINHA COMPLETA NC46B-VGL4.460 T1/KN	UKŁAD CIŚNIEN.WYPO. NC46B-VGL4.460 T1/KN	1
	65301238	АРМАТУРА ГАЗОПРОВО. NC61B-VGL4.610 T1/KN DONANIMLI HATTI NC61B-VGL4.610 T1/KN	LINHA COMPLETA NC61B-VGL4.610 T1/KN	UKŁAD CIŚNIEN.WYPO. NC61B-VGL4.610 T1/KN	1
	65301239	АРМАТУРА ГАЗОПРОВО. NC46B-VGL4.460 T2/KL DONANIMLI HATTI NC46B-VGL4.460 T2/KL	LINHA COMPLETA NC46B-VGL4.460 T2/KL	UKŁAD CIŚNIEN.WYPO. NC46B-VGL4.460 T2/KL	1
	65301240	АРМАТУРА ГАЗОПРОВО. NC61B-VGL4.610 T2/KL DONANIMLI HATTI NC61B-VGL4.610 T2/KL	LINHA COMPLETA NC61B-VGL4.610 T2/KL	UKŁAD CIŚNIEN.WYPO. NC61B-VGL4.610 T2/KL	1
2020	65301243	ДЕФЛЕКТОР D125/40 9SL DEFLEKTOR D125/40 9SL	DEFLECTOR D125/40 9SL	DEFLEKTOR D125/40 9SL	1
2021	13010062	КОМПЛЕКТ ВИНТОВ ПРИРОДНОГО ГАЗА DOĞAL GAZ VIDA TAKIM	KIT PARAFUSOS GÁS NATURAL	ZESTAW ŚRUBY GAZU ZIEMNEGO	1
2025	65301244	ГАЗОВЫЕ ЗАГЛУШКА GAZ OBTURATOER	OBTURADOR GÁS	ZAŚLEPKA GAZU	1
2040	13007907	БЛОК ЭЛЕКТРОД. 25X48 D4D1,5X22 45° + ВИНТ ELEKT.BLOĞU 25X48 D4D1,5X22 45° + VIDASI	BLOC.ELETR.25X48 D4D1,5X22 45° +PARAFUSO	BLOK ELEKTROD 25X48 D4D1,5X22 45° +ŚRUBA	1
2050	65301245	ГАЗОВЫЕ ДИФФУЗОРЫ GAZ DIFÜZOERÜ	TUBO DE GÁS	DYSZA GAZU	1
2060	65301246	ГАЗОВЫЕ ДИФФУЗОРЫ/РОЗЖИГОВЫЙ GAZ DIFÜZOERÜ/ATEŞLEME	TUBO DE GÁS/IGNIÇÃO	DYSZA GAZU/ZAPŁONOWY	1
2070	13020808	КАБЕЛЬ РОЗЖИГ D4/D4 L850 CARBON ATEŞLEME KABLOSU D4/D4 L850 CARBON	CABO ENCENDIDO D4/D4 L850 CARBON	PRZEWÓD ALU. D4/D4 L850 CARBON	1
2130	13015499	O-RING D45X4 O-RING D45X4	O-RING D45X4	O-RING D45X4	1
2140	13016090	ФОРСУНКА DAN 2,50GPH 60° S PÜSK. MEMESI DAN 2,50GPH 60° S	BOQUILLA DAN 2,50GPH 60° S	DYSZA DAN 2,50GPH 60° S	1
	65074670	ФОРСУНКА DAN 3,00GPH 60° S PÜSK. MEMESI DAN 3,00GPH 60° S	BOQUILLA DAN 3,00GPH 60° S	DYSZA DAN 3,00GPH 60° S	1
2145	13018353	ФОРСУНКА DAN 4,50GPH 60° S PÜSK. MEMESI DAN 4,50GPH 60° S	BOQUILLA DAN 4,50GPH 60° S	DYSZA DAN 4,50GPH 60° S	1
	65074673	ФОРСУНКА DAN 4,00GPH 60° S PÜSK. MEMESI DAN 4,00GPH 60° S	BOQUILLA DAN 4,00GPH 60° S	DYSZA DAN 4,00GPH 60° S	1
2160	65301195	ГИБКИЕ ТРУБОПРОВОДЫ DASH03-BANJO-3/8JIC ESNEK HORTUMLAR DASH03-BANJO-3/8JIC	MANG. COMB. DASH03-BANJO-3/8JIC C.1100	PRZEWODY GIĘTKIE DASH03-BANJO-3/8JIC	1
2200	65301247	ФОРСУНКА ДЕРЖАТЕЛЬ В СБОРЕ KOMPLE PÜSKÜRTME MEMESI TAŞIYICIS	PORTA BOQUILLA COMPLETO	KOMPLETNY OBUDOWA DYSZA	1
2250	65301248	РЕГУЛИРОВОЧНЫЙ СТЕРЖЕНЬ I KN/T1 AYAR ÇUBUĞU I KN/T1	HASTE DE AJUSTE I KN/T1	TRZPIEŃ REGULACYJNY I KN/T1	1
	65301249	РЕГУЛИРОВОЧНЫЙ СТЕРЖЕНЬ I KL/T2 AYAR ÇUBUĞU I KL/T2	HASTE DE AJUSTE I KL/T2	TRZPIEŃ REGULACYJNY I KL/T2	1
2260	65301250	ВЕРНЬЕР+СТОПОРНОЕ КОЛЬЦО VERNIYE+HALKA SEGMAN	ESCALA DE REGULAÇÃO+ANÉIS DE RETENÇÃO	NONIUSZEM+PIERŚCIEŃ SPRĘŻYSTY	1
2270	65301261	РЕГУЛИРОВОЧНЫЙ СТЕР. II В СБОРЕ T1/KN KOMPLE AYAR ÇUBUĞU II T1/KN	HASTE DE AJUSTE II COMPLETA T1/KN	TRZPIEŃ REGULACYJNY II KOMPLET. T1/KN	1
	65301262	РЕГУЛИРОВОЧНЫЙ СТЕРЖ. II В СБОРЕ T2/KL KOMPLE AYAR ÇUBUĞU II T2/KL	HASTE DE AJUSTE II COMPLETA T2/KL	TRZPIEŃ REGULACYJNY II KOMPLET. T2/KL	1

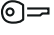





		RU TR	PT	PL	X
2280	65301263	РУКОВОДИТЕЛЬ ГАЗ KAFA GAZ	CABEÇA GÁS	GŁOWA GAZ	1
2290	65301264	ТРУБКА + ЛОКОТЬ ГАЗ T1/KN TÜP + DIRSEK GAZ T1/KN	TUBO + COTOVELO GÁS T1/KN	RURA + ŁOKIEĆ GAZ T1/KN	1
	65301265	ТРУБКА + ЛОКОТЬ ГАЗ T2/KL TÜP + DIRSEK GAZ T2/KL	TUBO + COTOVELO GÁS T2/KL	RURA + ŁOKIEĆ GAZ T2/KL	1
2523	65301241	СОПЛО ГОРЕЛКИ D150/132/160/137 L312 BRÜLÖR BORUSU D150/132/160/137 L312	TUBO DO QUEIMADOR D150/132/160/137 L312	RURA PALNIKA D150/132/160/137 L312	1
	65301242	СОПЛО ГОРЕЛКИ D150/132/160/137 L452 BRÜLÖR BORUSU D150/132/160/137 L452	TUDO DO QUEIMADOR D150/132/160/137 L452	RURA PALNIKA D150/132/160/137 L452	1
2541	65301184	ТРУБКА ОТБОРА ДАВЛЕНИЯ В ТОПОЧНОЙ КАМ. ОСАК TERTİBATI BASINÇ BORU. LG.200MM	TUBO DE PRESSÃO FORNALHA COMP.200MM	PRZEWÓD CIŚNIENIA W PALENISKU	1
2550	13007803	ПРОКЛАДКА/ФЛАНЕЦ ГОРЕЛКИ 244X244X8 D158 CONTASI/BRULOR FLANŞI 244X244X8 D158	GAXETA/FLANGE QUEIMADOR 244X244X8 D158	USZCZELKA/KOŁNIERZ PAL.244X244X8 D158	1
2570	13007804	ВИНТ М6 (ЛЕВ РЕЗЬБ) КРЕПЛ. ТРУБ ГОРЕЛКИ BRÜLÖR TÜPÜ M6 TESPİT VIDASI(SOLA DÖNÜŞ)	PARAFUSO M6 (PASSO ESQ.) TUBO QUEIMADOR	ŚRUBA M6 (LEWOSKRĘTNA) MOC. RURĘ PALNIKA	1
2580	65300557	ВИНТ+ГАЙКА М8Х40 BRÜLOER BORU BAĞLANTISI M8X40	PARAFUSO+PORCA M8X40	MOCOWANIA RURY PALNIKA M8X40	1
2590	13016814	КОМПЛЕКТ ШПИЛЬКИ M10X40 VIDASI+SOMUN M10X40	KIT CAVILHAS M10X40	ŚRUBA+NAKRĘTKA M10X40	1
3005	13011796	ФЛАНЕЦ/КОЛЛЕКТОР CPL. RP2 FLANŞI/KOLEKTÖR CPL. RP2	COLETOR COMPLETO RP2	KOŁNIERZ/KOLEKTOR CPL. RP2	1
	13014011	КОЛЛЕКТОР CPL. RP3/4 CPL. RP3/4 KOLEKTÖR	COLETOR COMPLETO RP3/4	KOLEKTOR CPL. RP3/4	1
	13014012	КОЛЛЕКТОР CPL. RP 1"1/4 CPL. RP 1"1/4 KOLEKTÖR	COLETOR COMPLETO RP 1"1/4	KOLEKTOR CPL. RP 1"1/4	1
3006	13011367	СТАБИЛИЗАТОР + СТОПОРНОЕ КОЛЬЦО D.60 STABILİZATÖR + CİRCLIPS D.60	ESTABILIZADOR+ANÉIS RETENÇÃO D.60	STABILIZATOR+ CİRCLIPS D.60	1
3007	13009722	ДАТЧИК ДАВЛЕНИЯ R1/8 R1/8 BASINÇ PRİZİ	TOMADA DE PRESSÃO R1/8	GNIAZDO CIŚNIENIOWE R1/8	1
3022	13020682	ШТУЦЕР "БАНЖО" LCK-G1/8-PK4 "BANJO" RAKOR LCK-G1/8-PK4	CONEXÃO "BANJO" LCK-G1/8-PK4	ZŁĄCZCE "BANJO" LCK-G1/8-PK4	1
3040	13007859	ФЛАНЕЦ MB420 RP2 + ПРИНИМАЮЩЕЕ ДАВЛЕНИЕ FLANŞI MB420 RP2 + ALARAK BASINÇ	FLANGE MB420 RP2 + TOMADA PRESSÃO	KOŁNIERZ MB420 RP2 + WTYCZKA CIŚNIENIA	1
	13010074	ФЛАНЕЦ MB405/407 RP3/4 +O-RING FLANŞI MB405/407 RP3/4 +O-RING	FLANGE MB405/407 RP3/4 +O-RING	KOŁNIERZ MB405/407 RP3/4 +O-RING	1
	13022858	ФЛАНЕЦ MB412 RP1 1/4 FLANŞI MB412 RP1 1/4	FLANGE MB412 RP1 1/4	KOŁNIERZ MB412 RP1 1/4	1
3100	13010082	ГАЗОВЫЙ КЛАПАН MBVEF412 B01 S10 RP1"1/4 GAZ VANASI MBVEF412 B01 S10 RP1"1/4	VALVULA GAS MBVEF412 B01 S10 RP1"1/4	ZAWÓR GAZ. MBVEF412 B01 S10 RP1"1/4	1
	13011113	ГАЗ. КЛ-Н MBVEF407 B01 S30 RP3/4"PL=1,2 GAZ VANA. MBVEF407 B01 S30 RP3/4"PL=1,2	VÁLV. GÁS MBVEF407 B01 S30 RP3/4"PL=1,2	ZAWÓR GAZ.MBVEF407 B01 S30 RP3/4"PL=1,2	1
	13011725	ГАЗ. КЛ-Н MBVEF420 B01 S10 RP2"+FP GAZ VANASI MBVEF420 B01 S10 RP2"+FP	VÁLVULA GÁS MBVEF420 B01 S10 RP2 +FP	ZAWÓR GAZ. MBVEF420 B01 S10 RP2"+FP	1
3110	13010078	РЕГУЛ ДАВЛ. ГАЗА. GW 150 A5 30—150MB DIN GW 150 A5 30-150MB DIN GAZ MANOSTATI	PRESSOSTATO GÁS GW 150 A5 30-150MB DIN	CZUJNIK CIŚ. GAZU GW 150 A5 30-150MB DIN	1
3120	13010083	КАТУШКА DUN № 1105 MBVEF407 N° 1105 MBVEF407 DUN BOBİNI	BOBINA DUN N.º 1105 MBVEF407	CEWKA DUN NR 1105 MBVEF407	1
	13010084	КАТУШКА DUN № 1205 MBVEF412 N° 1205 MBVEF412 DUN BOBİNI	BOBINA DUN N.º 1205 MBVEF412	CEWKA DUN NR 1205 MBVEF412	1
	13011726	КАТУШКА DUN № 1215 MBVEF420 N° 1215 MBVEF420 DUN BOBİNI	BOBINA DUN N.º 1215 MBVEF420	CEWKA DUN NR 1215 MBVEF420	1
3140	13007901	ФИЛЬТРУЮЩИЙ ЭЛЕМЕНТ/МБ...420 FİLTRELEYİCİ ELEMEN /MB...420	ELEMENTO FILTRANTE /MB...420	ELEMENT FILTRUJĄCY /MB...420	1
	13016011	ФИЛЬТР. ЭЛЕМЕНТ/МБ...405/407 FİLTRE ELEMENI /MB...405/407	ELEMENTO FILTRANTE /MB...405/407	ELEMENT FILTRUJĄCY /MB...405/407	1
	13016012	ФИЛЬТР. ЭЛЕМЕНТ/МБ...410/412 FİLTRE ELEMENI /MB...410/412	ELEMENTO FILTRANTE /MB...410/412	ELEMENT FILTRUJĄCY /MB...410/412	1
3150	13022464	ТРУБКА ОТБОРА ДАВЛЕНИЯ ГАЗА MBVEF 407 GAZ BASINÇ BORUSU MBVEF 407+RAKOR.	TUBO DE PRESSÃO GÁS MBVEF407+CONEXÃO	RURA CIŚNIE. GAZU MBVEF 407+ZŁĄCZEM	1
	65300649	ТРУБКА ОТБОРА ДАВЛЕНИЯ ГАЗА MBVEF412 GAZ BASINÇ BORUSU MBVEF412+RAKOR.	TUBO DE PRESSÃO GÁS MBVEF412+CONEXÃO	RURA CIŚNIE. GAZU MBVEF412+ZŁĄCZEM	1
	65300669	ТРУБКА ОТБОРА ДАВЛЕНИЯ ГАЗА MBVEF420 GAZ BASINÇ BORUSU MBVEF420+RAKOR.	TUBO DE PRESSÃO GÁS MBVEF420+CONEXÃO	RURA CIŚNIE. GAZU MBVEF420+ZŁĄCZEM	1
3160	13023188	УГЛОВОЙ ШТУЦЕР DIRSEKLI RAKOR	CONEXÃO COTOVELO	ZŁĄCZKA TYPU KOLANKO	1
3170	13023187	ШТУЦЕР G1/8 + УПЛОТНЕНИЕ RAKOR G1/8 + CONTA	CONEXÃO G1/8+JUNTA	ZŁĄCZE G1/8 + USZCZELKA	1
3200	65300575	КОМПЛЕКТ ПРОКЛАДОК МБ...407 CONTA KİTİ MB...407	KIT JUNTAS MB...407	ZESTAW USZCZELEK MB...407	1
	65300576	КОМПЛЕКТ ПРОКЛАДОК МБ...412 CONTA KİTİ MB...412	KIT JUNTAS MB...412	ZESTAW USZCZELEK MB...412	1

☉=>	XXXXXXXXXX 	RU TR	PT 	PL 	X 
	65300671	КОМПЛЕКТ ПРОКЛАДОК МВ...420 CONTA KİTİ MB...420	KIT JUNTAS MB...420	ZESTAW USZCZELEK MB...420	1
3410	13009700	ГАЗ ФИЛЬТР ВНЕШНИЙ RP2 RP2 HARİCİ GAZ FİLTRESİ	FILTRO GÁS EXTERNO RP2	FILTR GAZU	1
	13010092	ВНЕШНИЙ ГАЗОВЫЙ ФИЛЬТР RP1 DIŞ GAZ FİLTRESİ RP1	FILTRO GÁS RP 1	FILTR GAZU	1
3411	13010044	ФИЛЬТР. ЭЛЕМЕНТ RP2 + УПЛОТНЕНИЕ RP2 FİLTRE ELEMANI + CONTA	ELEMENTO FILT. RP2+O-RING	ELEMENT FILT. RP2+USZCZELKA	1
	13010093	ФИЛЬТР. ЭЛЕМЕНТ RP1"-1 1/2" RP1"-1 1/2" FİLTRE ELEMANI	ELEMENTO FILTRANTE RP1"-1 1/2"	ELEMENT FILTRUJĄCY RP1"-1 1/2"	1
5001	13016092	ФОРСУНКА DAN 2,00GPH 60° S PÜSK. MEMESİ DAN 2,00GPH 60° S	BOQUILLA DAN 2,00GPH 60° S	DYSZA DAN 2,00GPH 60° S	1
	65074670	ФОРСУНКА DAN 3,00GPH 60° S PÜSK. MEMESİ DAN 3,00GPH 60° S	BOQUILLA DAN 3,00GPH 60° S	DYSZA DAN 3,00GPH 60° S	1
	65074673	ФОРСУНКА DAN 4,00GPH 60° S PÜSK. MEMESİ DAN 4,00GPH 60° S	BOQUILLA DAN 4,00GPH 60° S	DYSZA DAN 4,00GPH 60° S	1
	65074675	ФОРСУНКА DAN 5,00GPH 60° S PÜSK. MEMESİ DAN 5,00GPH 60° S	BOQUILLA DAN 5,00GPH 60° S	DYSZA DAN 5,00GPH 60° S	1
	65074676	ФОРСУНКА DAN 5,50GPH 60° S PÜSK. MEMESİ DAN 5,50GPH 60° S	BOQUILLA DAN 5,50GPH 60° S	DYSZA DAN 5,50GPH 60° S	1

CB-VGL4DP

Dual-Fuel burner

К О Н Т А К Т Ы

Distributor in Russia "Teplopartner" LTD
Russia, Krasnodar city, Stasova street, 184, office 4
Tel./fax.: 8 (861) 234 23 83, +7 (961) 854 41 24
www.gorelka-kotel.ru info@gorelka-kotel.ru