

SPARE PARTS EXPLODED VIEW OIL BURNER

Model

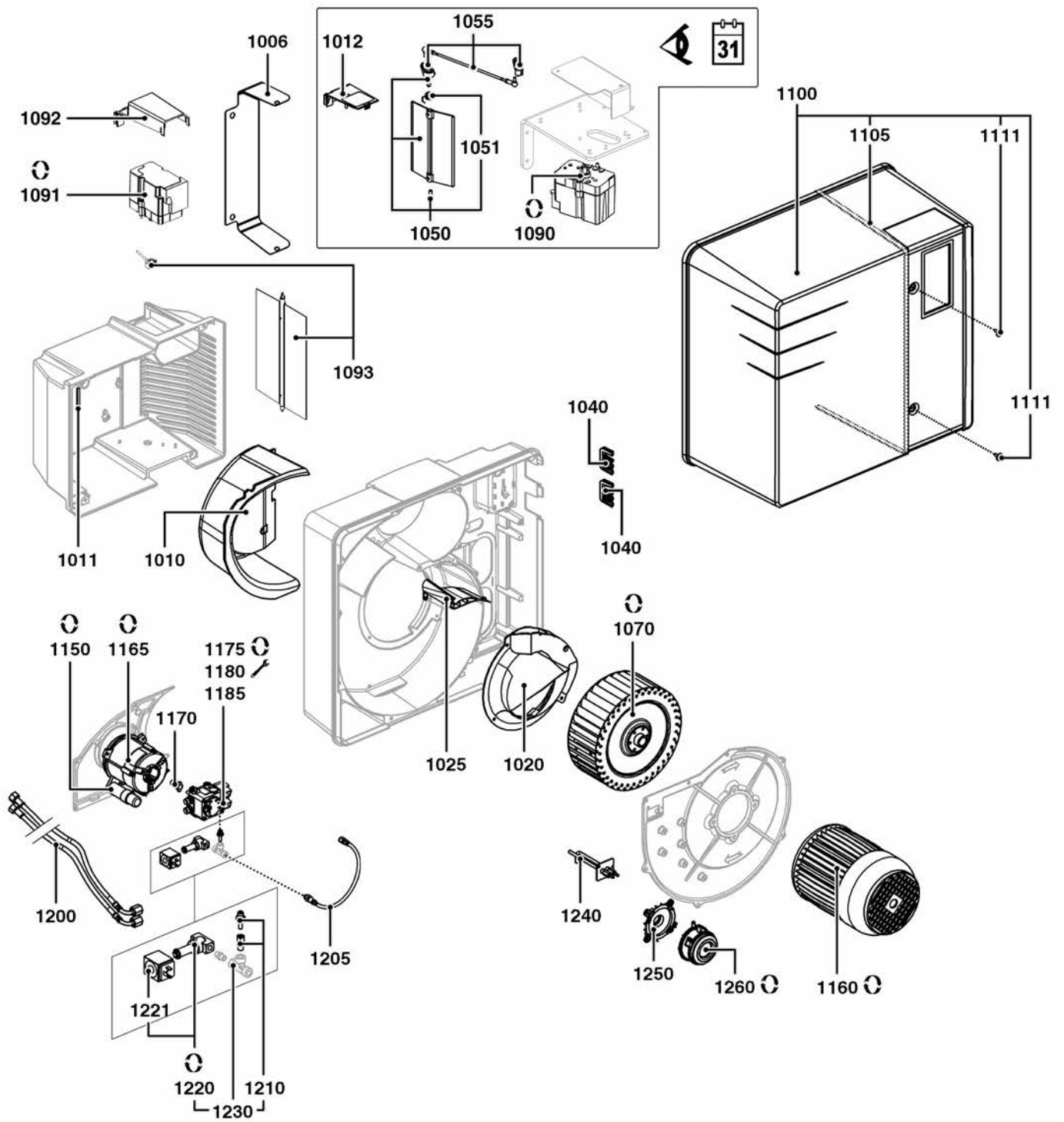
CB-VL5DP

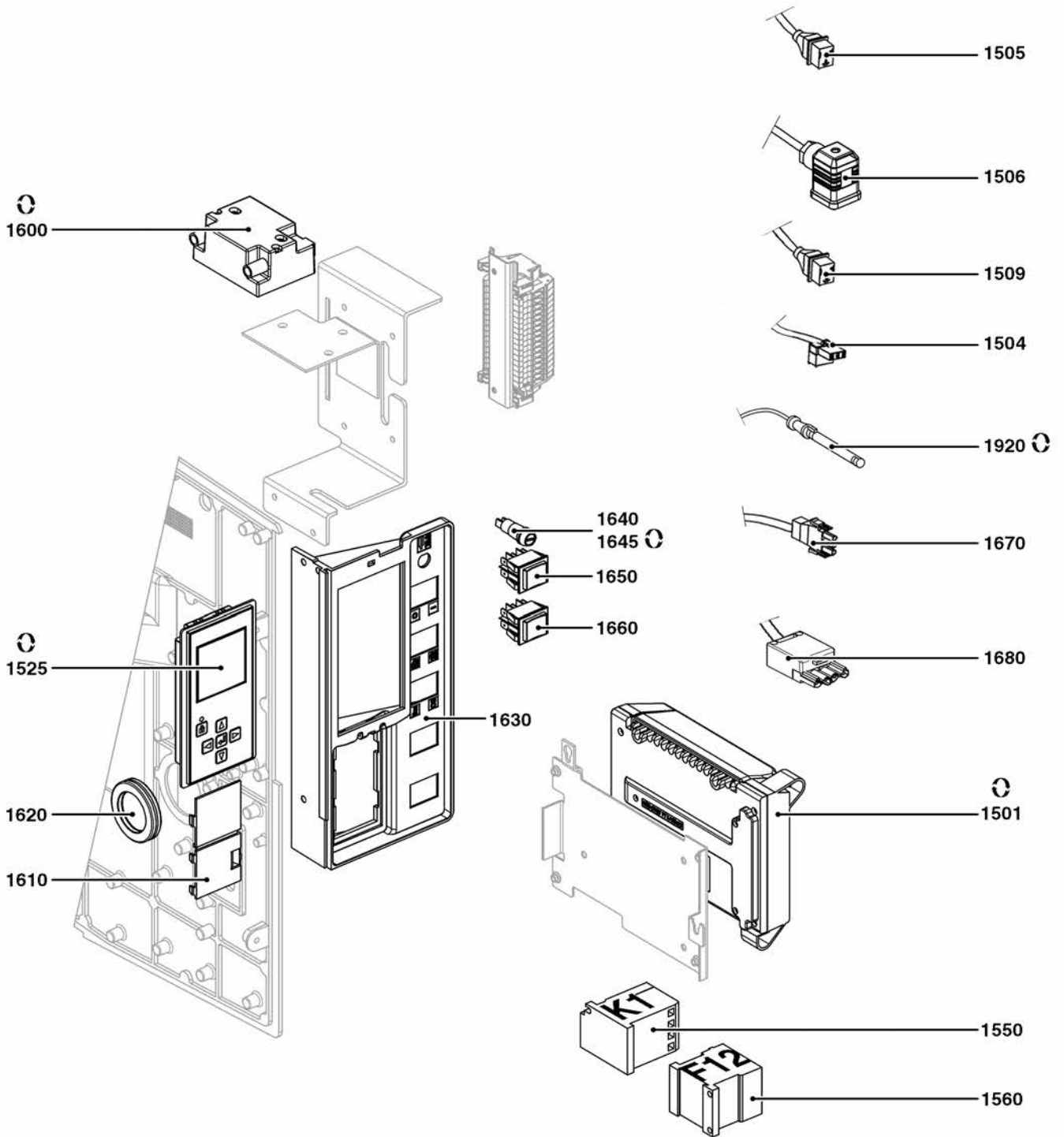
R8220111-02 - 24/09/2015

CB-VL5DP

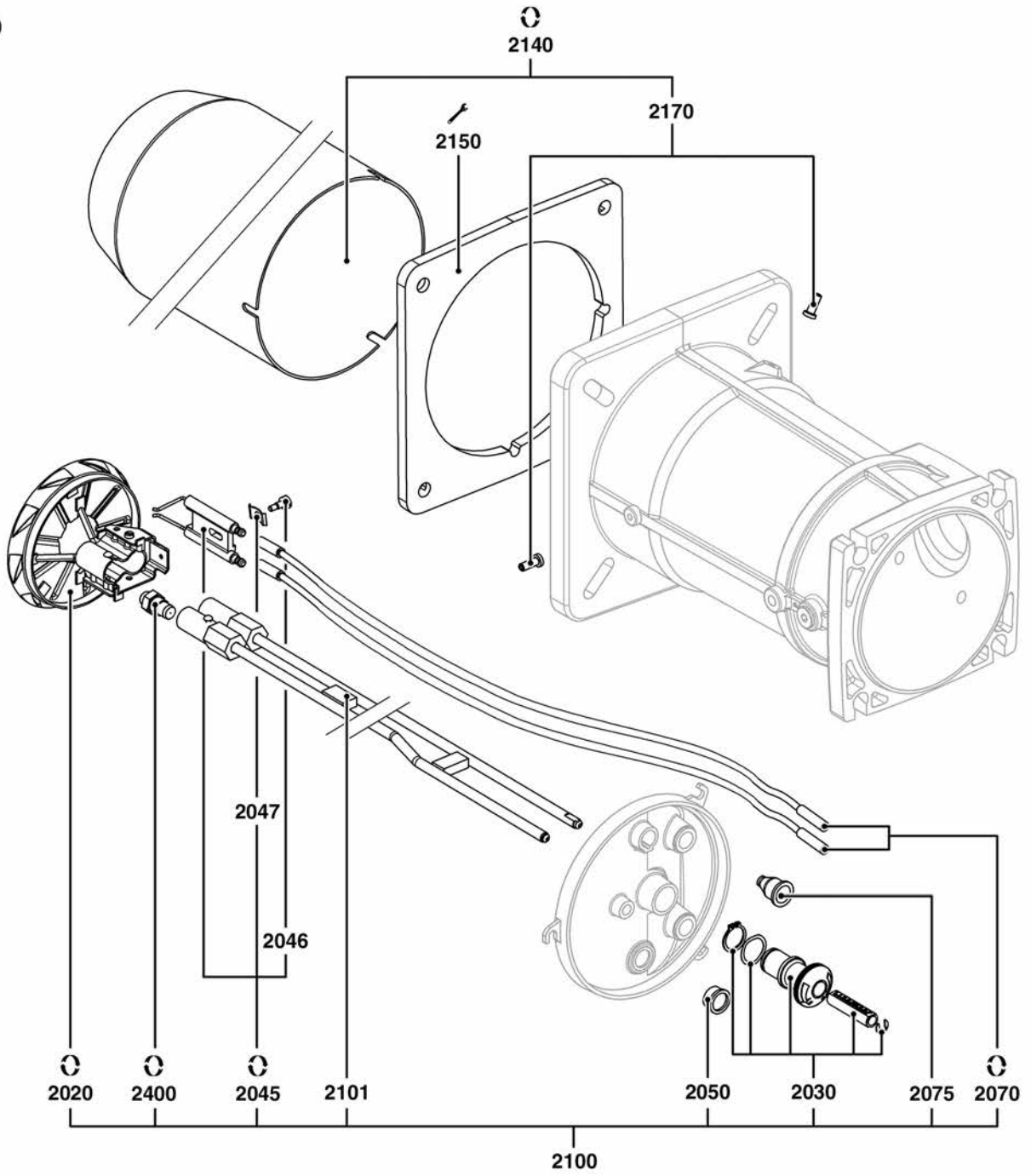
Oil burner

1	3833954	BB-VL5.950 DP	09-2012	-
2	3833955	BB-VL5.1200 DP	03-2013	-
3	3833362	CH-O0621 - T1/KN	12-2010	-
4	3833457	CH-O0621 - T2/KL	12-2010	-
5	3833607	CH-O0621 - T3/KM	09-2011	-
6	3833363	CH-O0622 - T1/KN	12-2010	-
7	3833458	CH-O0622 - T2/KL	12-2010	-
8	3833608	CH-O0622 - T3/KM	01-2012	-
Col	Reference	Model type	Begin	End





2000



5000



CB-VL5DP

Oil burner

		DE		FR		IT		
		NL		ES				
1006	65326224	ANSAUGTRICHTER LUCHTGELEIDER		GUIDE AIR GUIA DE AIRE		GUIDA ARIA		1
1010	13009641	ISOLIERUNG LUFTKASTEN ISOLATIE LUCHTKAST		ISOLATION BOITE A AIR AISLAMIENTO CAJA DE AIRE		ISOLAMENTO SCATOLA DELL'ARIA		1
1011	13009640	DICHTUNG LUFTKASTEN DICHTING LUCHTKAST		JOINT BOITE A AIR JUNTA CAJA DE AIRE		GUARNIZIONE SCATOLA DELL'ARIA		1
1012	13009642	ABDECKUNG LUFTKASTEN DEKSEL LUCHTKAST		COUVERCLE BOITE A AIR TAPA CAJA DE AIRE		COPERCHIO SCATOLA DELL'ARIA		1
1020	13009645	LUFTUMWÄLZUNG (SCHWARZ) TERUGWINNING LUCHT (ZWART)		RECYCLAGE AIR (NOIR) RECICLADO AIRE (NEGRO)		RICIRCOLO DELL'ARIA (NERO)		1
	13009646	LUFTUMWÄLZUNG (WEISS) TERUGWINNING LUCHT (WIT)		RECYCLAGE AIR (BLANC) RECICLADO AIRE (BLANCO)		RICIRCOLO DELL'ARIA (BIANCO)		1
1025	65301017	ANSAUGLUFTFUEHRUNG LUCHTKRINGLOOP		RECYCLAGE AIR RECICLAJE DE AIRE		CONVOGLIATORE ARIA		1
1040	13016845	KABELDURCHFUEHRUNG/GEHAEUSE DRAADDOORVOER/BRANDERHUIS		PASSE FIL/CARTER PASACABLES/CÁRTER		PASSAFILO/ CARTER		1
1050	13014117	AUSGERÜSTETE LUFTKLAPPE VOLLEDIGE LUCHTKLEP		VOLET D'AIR EQUIPE REJILLA DE AIRE EQUIPADA		SERRANDA DELL'ARIA EQUIPAGGIATA		1
1051	13011751	GRAUE FEDER/ LUFT VEER GRIJS/ LUCHT		RESSORT GRIS/ AIR RESORTE GRIS/ AIRE		MOLLA GRIGIA/ ARIA		1
1055	65301071	UEBERTRAG.+WINKELGEL.L320/STE 4,5 B0 COMPLETE KOPPELING L320/STE 4,5 B0		ACCOUPLMENT EQ.L320/STE 4,5 B0 ACOPLAMIENTO EQ. L320/STE 4,5 B0		ACCOPIAMENTO EQ. L320/STE 4,5 B0		1
1070	13009649	VENTILATORRAD D240X82 d19 VENTILATORRAD D240X82 d19		TURBINE D240X82 d19 TURBINA D240X82 d19		VENTOLA D240X82 d19		1
1090	65300527	STELLANTRIEB STE 4,5 B037/6 SERVOMOTOR STE 4,5 B037/6		SERVOMOTEUR STE 4,5 B037/6 SERVOMOTOR STE 4,5 B037/6		SERVOMOTORE STE 4,5 B037/6		1
1091	65326229	STELLANTRIEB STE 4,5 B0.37/6-L SERVOMOTOR STE 4,5 B0.37/6-L		SERVOMOTEUR STE 4,5 B0.37/6-L SERVOMOTOR STE 4,5 B0.37/6-L		SERVOMOTORE STE 4,5 B0.37/6-L		1
1092	65326223	STELLANTRIEBHAUBE KAP SERVOMOTOR		CAPOT SERVOMOTEUR CUBIERTA SERVOMOTOR		COPERCHIO SERVOMOTORE		1
1093	65326225	KOMPL. LUFTKLAPPE COMPLETE LUCHTKLEP		VOLET D'AIR EQUIPE VÁLVULA DE AIRE EQUIPADA		SERRANDA DELL'ARIA EQUIPAGGIATA		1
1100	65301016	BRENNERHAUBE VECTRON5 U. V6 KPL. COMPLETE KAP VECTRON5 EN V6		CAPOT VECTRON5 ET V6+VIS CUBIERTA VECTRON5 Y V6 EQUIPADA		COFANO V5 E V6 EQUIPAGGIATO		1
1105	13009772	DICHTBAND / HAUBE DICHTINGSSTRIP / BRANDERKAP		BANDE D'ETANCHEITE / CAPOT BANDA ESTANQUEIDAD / CUBIERTA		NASTRO SIGILLANTE/ COPERTURA		1
1111	65300519	FLACHKOPFSCHRAUBE M5X15 PLATKOPPSCHROEF M5X15		VIS A TETE PLATE M5X15 TORNILLO DE CABEZA PLANA M5X15		VITE A TESTA PIANA M5X15		1
1150	13011117	KONDENSATOR 4µF CONDENSATOR 4µF		CONDENSATEUR 4µF CONDENSADOR 4µF		CONDENSATORE 4µF		1
1160	13009654	MOTOR 1,5KW 230/400V D19+STECKER MOTOR 1,5KW 230/400V D19 + STEKKER		MOTEUR 1,5KW 230/400V D19+PRISE MOTOR 1,5KW 230/400V D19+TOMA		MOTORE 1,5KW 230/400V D19+PRESA		1
1165	13011607	MOTOR 0,16W230V GMP MOTOR 0,16W230V GMP		MOTEUR 0,16W230V GMP MOTOR 0,16W230V GMP		MOTORE 0,16W230V GMP		1
1170	65074172	KUPPLUNG PUMPE/MOTOR KOPPELING POMP/MOTOR		ACCOUPLMENT POMPE/MOTEUR ACOPLAMIENTO BOMBA/MOTOR		ACCOPIAMENTO POMPA/MOTORE		1
1175	13019015	ÖLPUMPE AT2 95 C 9585 2P 0500 POMP STOOKOLIE AT2 95 C 9585 2P 0500		POMPE FIOUL AT2 95 C 9585 2P 0500 BOMBA FUEL AT2 95 C 9585 2P 0500		POMPA GASOLIO AT2 95 C 9585 2P 0500		1
1180	13010468	FILTERSET D20 A47/57/67 FILTERSET D20 A47/57/67		KIT FILTRE D20 A 47/57/67 KIT DE FILTRO D20 A 47/57/67		KIT FILTRO D20 A 47/57/67		1
1185	13010006	SPULE FÜR PUMPE AS47/AL35 220/240V SPOEL X POMP AS47/AL35 220/240V		BOBINE X POMPE AS47/AL35 220/240V BOBINA P/BOMBA AS47/AL35 220/240V		BOBINA X POMPA AS47/AL35 220/240V		1
1200	13009815	ÖLSCHLAUCH L 1.5M SLANG STOOKOLIE L 1,5M		FLEXIBLE FIOUL L 1.5M MANGUERA FUEL L 1.5M		TUBO FLESSIBILE GASOLIO L 1.5M		1
1205	13017121	SCHLAUCH L580 SLANG L580		FLEXIBLE L580 LATIGUILLLO L580		TUBO FLESSIBILE L580		1
1210	13018875	EINSCHRAUBSTUTZEN + DICHT. DRAAIBARE AANSLUITING		RACCORD ORIENTABLE RACOR GIRATORIO		RACCORDO GIREVOLE		1
1220	13018872	MAGNETVENTIL SUN SL1V2805 G1/8" 9W 230V MAGNEETKLEP SUN SL1V2805 G1/8" 9W 230V		ELECTROVANNE SUN SL1V2805 G1/8" 9W 230V ELECTROVALVU. SUN SL1V2805G1/8" 9W 230V		ELETTRORVALVOLA SUN SL1V2805G1/8" 9W 230V		1
1221	13018853	SPULE RAP M13 230V 8W SPOEL RAP M13 230V 8W		BOBINE RAP M13 230V 8W BOBINA RAP M13 230V 8W		BOBINA RAP M13 230V 8W		1
1230	13018871	MAGNETVENTIL SUN SL1V2805G1/8 9W230V+UNI MAGNEETKLEP SUN SL1V2805 G1/8 9W 230V+UN		ELECTROVANNE SUN SL1V2805G1/8 9W230V+RAC ELECTROVALVULA SUN SL1V2805 G1/8 9W 230V		ELETTRORVALV. SUN SL1V2805G1/8 9W230V+RAC		1
1240	13009651	DIFFERENZIALDRUCKMESSER (WEISS) AANSLUITING DRUKVERSCHIL (WIT)		PRISE DE PRESS. DIFFERENTIELLE (BLANC) TOMA PRES. DIFERENCIAL (BLANCO)		PRESA PRESSIONE DIFFERENZIALE (BIANCO)		1
1250	13020723	HALTER LUFTDRUCKWAECHTER D32 STEUN MANOSTAAT HUBA D32		SUPPORT MANOSTAT AIR D32 SOPORTE DEL MANOSTATO DE AIRE D32		SUPPORTO PRESSOSTATO DELL'ARIA D32		1
1260	65300991	LUFTDRUCKWAECHTER HUBA 604 1-10MBAR LUCHTDRUKBEWAKER HUBA 604 1-10MBAR		MANOSTAT HUBA 604 1-10MBAR PRESSOSTATO AIRE HUBA 604 1-10MBAR		MANOSTATO HUBA 604 1-10MBAR		1
	65301048	LUFTDRUCKWAECHTER HUBA 604 5-20MBAR LUCHTDRUKBEWAKER HUBA 604 5-20MBAR		MANOSTAT HUBA 604 5-20MBAR PRESSOSTATO AIRE HUBA 604 5-20MBAR		MANOSTATO ARIA HUBA 604 5-20MBAR		1

		DE	FR	IT	
		NL	ES		
1501	65300879	FEUERUNGSAUTOMAT TCH 311.00 BRANDERAUTOMAAT TCH 311.00	COFFRET TCH 311.00 PROGRAMADOR TCH 311.00	APPARECCHIATURA TCH 311.00	1
1504	65300997	KABEL M.STECKER ZUENDTRAFO KABEL + STEKKER / ONTSTEKER	CABLE ALLUMEUR CABLE+TOMA/ENCENDEDOR	CAVO TRASFORMATORE ACCENS.	1
1505	65301049	KABEL KPL. F. OELVENTIL (1ST) KABEL EQ./OLIEKLEP 1. TRAP	CABLE EQUIPE VANNE FIOUL 1ALL CABO EQ./VÁLVULA GASÓLEO 1ª ETAPA	CAVO EQ./VALVOLA GASOLIO 1 STAD	1
1506	65300740	KABEL KPL. F. OELVENTIL (2ST) L1000 KABEL EQ./OLIEKLEP 2. TRAP L1000	CABLE EQUIPE VANNE FIOUL 2ALL. L1000 CABO EQ./VÁLVULA GASÓLEO 2ª ETAPA L1000	CAVO EQ./VALVOLA GASOLIO 2 STAD L1000	1
1509	65300739	KABEL KPL. F. OELVENTIL (3ST) L1000 KABEL EQ./OLIEKLEP 3. TRAP L1000	CABLE EQUIPE VANNE FIOUL 3ALL. L1000 CABO EQ./VÁLVULA GASÓLEO 3ª ETAPA L1000	CAVO EQ./VALVOLA GASOLIO 3 STAD L1000	1
1525	65301109	ANZEIGE FUR AUTOMAT. TCG-TCH REL.2.2 DISPLAY V. BRANDERAUTOM.TCG-TCH REL.2.2	AFFICHEUR POUR COFFRET TCG-TCH REL. 2.2 PANTALLA P. PROGRAMAD. TCG-TCH REL.2.2	DISPLAY PER APPARECCHIA.TCG-TCH REL.2.2	1
1550	13009778	SCHALTSCHÜTZ SCHAKELAAR	CONTACTEUR CONTACTOR	CONTATTORE	1
1560	13020693	UEBERSTROMRELAIS/SCHUETZ THERMISCH RELAIS	RELAIS THERMIQUE RELÉ TÉRMICO	RELE TERMICO	1
1600	13009663	ZUENDTRAFO EBI 2X7,5 230V ONTSTEKINGSTRAFO EBI 2X7,5 230V	ALLUMEUR EBI 2X7,5 230V ENCENDEDOR EBI 2X7,5 230V	TRASFORMATORE ACCENSIONE EBI 2X7,5 230V	1
1610	13009661	VERSCHLUSS / BEDIENFELD AFSLUITER / BEDIENINGSPANEEL	OBTURATEUR / PUPITRE OBTURADOR / TABLERO	OTTURATORE / QUADRO	1
1620	65300993	KABELDURCHFUEHRUNG D54/D47/D36 DRAADDOORVOER D54/D47/D36	PASSE FIL D54/D47/D36 PASACABLE D54/D47/D36	PASSA FILO D54/D47/D36	1
1630	65300992	BEDIENFELD KUNSTSTOFF PLASTIC BEDIENINGSPANEEL	PUPITRE DE COMMANDE PLASTIQUE PUPITRE DE MANDO PLÁSTICO	QUADRO DI COMANDO PLASTICO	1
1640	13016457	SICHERUNGHALTER+SICHERUNG 6.3A ZEKERINGHOUDER+ZEKERING 6,3A	PORTE FUSIBLE+FUSIBLE 6.3A PORTA FUSIBLE+FUSIBLE 6.3A	PORTAFUSIBILE + FUSIBILE 6.3A	1
1645	13016028	FEINSICHERUNG 5X20 6,3 A (TRAEGE) ZEKERING 5X20 6.3A	FUSIBLE 5X20 6.3A (CALIBRE) FUSIBLE 5X20 6.3A	FUSIBILE 5X20 6.3A	1
1650	13010007	SCHALTER EIN/AUS SCHAKELAAR ON/OFF	INTERRUPTEUR MARCHÉ/ARRET INTERRUPTOR	INTERRUTTORE ON/OFF	1
1660	13014009	BETRIEBSSCHALTER SCHAKELAAR - BEDRIJF	INTERRUPTEUR - FONCTIONNEMENT INTERRUPTOR	INTERRUTTORE - FUNZIONAMENTO	1
1670	65300999	KABEL M.STECKER PUMPENMOTOR KABEL + STEKKER / POMP MOTOR	CABLE GRP. MOTOPOMPE CABLE / BOMBA MOTOR	CAVO GRP. MOTOPOMPA	1
1680	65301000	KABEL L560+STECKER 4P/MOTOR KABEL L560+STEKKER 4P/MOTOR	CABLE L560+PRISE 4P/MOTEUR CABLE L560+TOMA 4P/MOTOR	CAVO LUNGH. 560MM + PRESA 4 POLI/MOTORE	1
1920	65326516	FOTOZELLE QRB1A LG.570+RAST5 FOTOCEL QRB1A LG.570+RAST5	CELLULE QRB1A LG.570+RAST5 CELULA QRB1A LG.570+RAST5	FOTOCELLULA QRB1A LG.570+RAST5	1
2020	13011594	STAUSCHEIBE D125/40 9SL R STUWPLAAT D125/40 9SL R	DEFLECTEUR D125/40 9SL R DEFLECTOR D125/40 9SL R	DIFFUSORE D125/40 9SL R	1
	13017115	STAUSCHEIBE D114/60 6SL R STUWPLAAT D114/60 6SL R	DEFLECTEUR D114/60 6SL R DEFLECTOR D114/60 6SL R	DIFFUSORE D114/60 6SL R	1
2030	13007852	REGULIERKNOPF INSELKNOP	BOUTON ET VERNIER PERILLA DE AJUSTE	BOTTONE E VERNIERO	1
2045	13007907	ZUENDELEK.BLO.25X48d4D1,5X22 45° + SCHR. ELEKTRODENBL.25X48 d4D1,5X22 45°+SCHROEF	BLOC-ELECTRODES 25X48 d4D1,5X22 45° +VIS BLOQ.ELECT.25X48 d4D1,5X22 45° +TORNILLO	BLOCCO ELETTROD.25X48d4D1,5X22 45° +VITE	1
	13009726	ZUENDELEKTROD.27X55 d6,4D2X23 45° +SCHR. ELEKTRODENBLOK 27X55 d6,4D2X23 45°+SCHR.	BLOC-ELECTRODES 27X55 d6,4D2X23 45° +VIS BLOQ.ELECTRO.27X55 d6,4D2X23 45°+TORNIL.	BLOC.ELETTRODI 27X55 d6,4D2X23 45° +VITE	1
2046	13010049	ANSATZSCHRAUBE M4/ELEKTRODENBLOK KRAAGSCHROEF M4/ELEKTRODEBLOK	VIS EPAULEE M4/BLOC-ELECTRODES TORN.ALLEN M4/BLOC-ELECTRODOS	VITE CON SPALLAMENTO M4/BLOCCO ELETTRODI	1
2047	13009725	FLANSCH 20X11X2,6 FIX. ZUENDELEKTRODE FLENS 20X11X2,6 FIX. ONTSTEKINGSPEN	BRIDE 20X11X2,6 FIX. ELECTRODE BRIDA 20X11X2,6 FIX. ELECTRODO	FLANGIA 20X11X2,6 FIX. ELETTRODO	1
2050	13020327	SCHAUGLAS CONTROLELAMPJE	VOYANT TESTIGO	SPIA	1
2070	13010059	ZUENDKABEL L850 ONTSTEKINGSKABEL L850	CABLE ALLUMAGE L850 CABLE DE ENCENDIDO L850	CAVO ACCENSIONE L850	1
	65301044	ZUENDKABEL D4-D6,35X1050 ONTSTEKINGSKABEL D4-D6,35X1050	CABLE ALLUMAGE D4-D6,35X1050 CABLE DE ENCENDIDO D4-D6,35X1050	CAVO ACCENSIONE D4-D6,35X1050	1
2075	13009625	KAUTSCHUK-TÜLLE / ZÜNDKABEL RUBBEREN DOP/KABEL ALLU	CAPUCHON CAOUTCHOUC/CABLE ALLU CAPUCHÓN DE CAUCHO/ENCENDIDO	CAPPUCCIO IN GOMMA/CAVO ACCENSIONE	1
2100	65301038	DUESENGESTAENGE KPL. NC95/VL5 950 T1/KN SPROEIERLIJN EQ. NC95/VL5 950 T1/KN	LIGNE GICLEUR EQ. NC95/VL5 950 T1/KN PORTA-BOQUILLA EQ. NC95/VL5 950 T1/KN	LINEA P. UGELLO EQ. NC95/VL5 950 T1/KN	1
	65301039	DUESENGESTAENGE KPL. NC95/VL5 950 T2/KL SPROEIERLIJN EQ. NC95/VL5 950 T2/KL	LIGNE GICLEUR EQ. NC95/VL5 950 T2/KL PORTA-BOQUILLA EQ. NC95/VL5 950 T2/KL	LINEA P. UGELLO EQ. NC95/VL5 950 T2/KL	1
	65301040	DUESENGESTAENGE KPL. NC95/VL5 950 T3/KM SPROEIERLIJN EQ. NC95/VL5 950 T3/KM	LIGNE GICLEUR EQ. NC95/VL5 950 T3/KM PORTA-BOQUILLA EQ. NC95/VL5 950 T3/KM	LINEA P. UGELLO EQ. NC95/VL5 950 T3/KM	1
	65301041	DUESENGESTAENGE KPL.NC120/VL5 1200 T1/KN SPROEIERLIJN EQ. NC120/VL5 1200 T1/KN	LIGNE GICLEUR EQ. NC120/VL5 1200 T1/KN PORTA-BOQUILLA EQ. NC120/VL5 1200 T1/KN	LINEA P. UGELLO EQ. NC120/VL5 1200 T1/KN	1
	65301042	DUESENGESTAENGE KPL.NC120/VL5 1200 T2/KL SPROEIERLIJN EQ. NC120/VL5 1200 T2/KL	LIGNE GICLEUR EQ. NC120/VL5 1200 T2/KL PORTA-BOQUILLA EQ. NC120/VL5 1200 T2/KL	LINEA P. UGELLO EQ. NC120/VL5 1200 T2/KL	1
	65301043	DUESENGESTAENGE KPL.NC120/VL5 1200 T3/KM SPROEIERLIJN EQ. NC120/VL5 1200 T3/KM	LIGNE GICLEUR EQ. NC120/VL5 1200 T3/KM PORTA-BOQUILLA EQ. NC120/VL5 1200 T3/KM	LINEA P. UGELLO EQ. NC120/VL5 1200 T3/KM	1

								
		DE	NL	FR	ES	IT		
2101	13011595	DUESENSTANGE T1/KN L711 SPROEIERLIJNE T1/KN L711		LIGNE GICLEUR T1/KN L711 LÍNEA DE BOQUILLA T1/KN L711		LINEA UGELLO T1/KN L711		1
	13011596	DUESENSTANGE T2/KL L931 SPROEIERLIJNE T2/KL L931		LIGNE GICLEUR T2/KL L931 LÍNEA DE BOQUILLA T2/KL L931		LINEA UGELLO T2/KL L931		1
	13011597	DUESENSTANGE T3/KM L821 SPROEIERLIJNE T3/KM L821		LIGNE GICLEUR T3/KM L821 LÍNEA DE BOQUILLA T3/KM L821		LINEA UGELLO T3/KM L821		1
2140	13011601	FLAMMENROHR D141/125/170 L305 BRANDERBUIJS D141/125/170 L305		TUBE DE FLAMME D141/125/170 L305 TUBO DE LLAMA D141/125/170 L305		BOCCAGLIO D141/125/170 L305		1
	13011602	FLAMMENROHR D141/125/170 L525 BRANDERBUIJS D141/125/170 L525		TUBE DE FLAMME D141/125/170 L525 TUBO DE LLAMA D141/125/170 L525		BOCCAGLIO D141/125/170 L525		1
	13011603	FLAMMENROHR D141/125/170 L415 BRANDERBUIJS D141/125/170 L415		TUBE DE FLAMME D141/125/170 L415 TUBO DE LLAMA D141/125/170 L415		BOCCAGLIO D141/125/170 L415		1
	65301045	FLAMMENROHR D170/155 L305 BRANDERBUIJS D170/155 L305		TUBE DE FLAMME D170/155 L305 TUBO DE LLAMA D170/155 L305		BOCCAGLIO D170/155 L305		1
	65301046	FLAMMENROHR D170/155 L525 BRANDERBUIJS D170/155 L525		TUBE DE FLAMME D170/155 L525 TUBO DE LLAMA D170/155 L525		BOCCAGLIO D170/155 L525		1
	65301047	FLAMMENROHR D170/155 L415 BRANDERBUIJS D170/155 L415		TUBE DE FLAMME D170/155 L415 TUBO DE LLAMA D170/155 L415		BOCCAGLIO D170/155 L415		1
2150	13009619	DICHTUNG/KESSELTÜR 228X220X10 DICHTING KLINGERIT 228X220X10		JOINT/FAÇADE CHAUDIERE 228X220X10 JUNTA/FRENTE CALDERA 228X220X10		GUARN./LATO FRONTALE CALDAIA 228X220X10		1
2170	13007804	SCHRAUBE M6 (LINKSGEW.)BEF. BRENNERROHR M6-BEV.SCHROEF (NIET LINKS) BRANDERPIJP		VIS M6 (PAS GAUCHE)FIX. TUBE BRULEUR TORN. M6 (R.IZQ.)FIJ. TUBO QUEMADOR		VITE M6 (PASSO SX) FISS. TUBO BRUCIATORE		1
2400	13016045	DUESE DAN 6,50GPH 45° B SPROEIER DAN 6,50GPH 45° B		GICLEUR DAN 6,50GPH 45° B BOQUILLA DAN 6,50GPH 45° B		UGELLO DAN 6,50GPH 45° B		1
	13016047	DUESE DAN 7,50GPH 45° B SPROEIER DAN 7,50GPH 45° B		GICLEUR DAN 7,50GPH 45° B BOQUILLA DAN 7,50GPH 45° B		UGELLO DAN 7,50GPH 45° B		1
	13016048	DUESE DAN 8,50GPH 45° B SPROEIER DAN 8,50GPH 45° B		GICLEUR DAN 8,50GPH 45° B BOQUILLA DAN 8,50GPH 45° B		UGELLO DAN 8,50GPH 45° B		1
5001	13016039	DUESE DAN 10,0GPH 45° B SPROEIER DAN 10,0GPH 45° B		GICLEUR DAN 10,0GPH 45° B BOQUILLA DAN 10,0GPH 45° B		UGELLO DAN 10,0GPH 45° B		1
	13016042	DUESE DAN 4,50GPH 45° B SPROEIER DAN 4,50GPH 45° B		GICLEUR DAN 4,50GPH 45° B BOQUILLA DAN 4,50GPH 45° B		UGELLO DAN 4,50GPH 45° B		1
	13016043	DUESE DAN 5,50GPH 45° B SPROEIER DAN 5,50GPH 45° B		GICLEUR DAN 5,50GPH 45° B BOQUILLA DAN 5,50GPH 45° B		UGELLO DAN 5,50GPH 45° B		1
	13016044	DUESE DAN 5,00GPH 45° B SPROEIER DAN 5,00GPH 45° B		GICLEUR DAN 5,00GPH 45° B BOQUILLA DAN 5,00GPH 45° B		UGELLO DAN 5,00GPH 45° B		1
	13016045	DUESE DAN 6,50GPH 45° B SPROEIER DAN 6,50GPH 45° B		GICLEUR DAN 6,50GPH 45° B BOQUILLA DAN 6,50GPH 45° B		UGELLO DAN 6,50GPH 45° B		1
	13016047	DUESE DAN 7,50GPH 45° B SPROEIER DAN 7,50GPH 45° B		GICLEUR DAN 7,50GPH 45° B BOQUILLA DAN 7,50GPH 45° B		UGELLO DAN 7,50GPH 45° B		1
	13016048	DUESE DAN 8,50GPH 45° B SPROEIER DAN 8,50GPH 45° B		GICLEUR DAN 8,50GPH 45° B BOQUILLA DAN 8,50GPH 45° B		UGELLO DAN 8,50GPH 45° B		1
	13016049	DUESE DAN 10,0GPH 60° B SPROEIER DAN 10,0GPH 60° B		GICLEUR DAN 10,0GPH 60° B BOQUILLA DAN 10,0GPH 60° B		UGELLO DAN 10,0GPH 60° B		1
	13016050	DUESE DAN 11,0GPH 60° B SPROEIER DAN 11,0GPH 60° B		GICLEUR DAN 11,0GPH 60° B BOQUILLA DAN 11,0GPH 60° B		UGELLO DAN 11,0GPH 60° B		1
	13016053	DUESE DAN 4,50GPH 60° B SPROEIER DAN 4,50GPH 60° B		GICLEUR DAN 4,50GPH 60° B BOQUILLA DAN 4,50GPH 60° B		UGELLO DAN 4,50GPH 60° B		1
	13016054	DUESE DAN 5,50GPH 60° B SPROEIER DAN 5,50GPH 60° B		GICLEUR DAN 5,50GPH 60° B BOQUILLA DAN 5,50GPH 60° B		UGELLO DAN 5,50GPH 60° B		1
	13016056	DUESE DAN 6,50GPH 60° B SPROEIER DAN 6,50GPH 60° B		GICLEUR DAN 6,50GPH 60° B BOQUILLA DAN 6,50GPH 60° B		UGELLO DAN 6,50GPH 60° B		1
	13016058	DUESE DAN 7,50GPH 60° B SPROEIER DAN 7,50GPH 60° B		GICLEUR DAN 7,50GPH 60° B BOQUILLA DAN 7,50GPH 60° B		UGELLO DAN 7,50GPH 60° B		1
	13016059	DUESE DAN 8,50GPH 60° B SPROEIER DAN 8,50GPH 60° B		GICLEUR DAN 8,50GPH 60° B BOQUILLA DAN 8,50GPH 60° B		UGELLO DAN 8,50GPH 60° B		1
	13023430	DUESE DAN 11,0GPH 45° B SPROEIER DAN 11,0GPH 45° B		GICLEUR DAN 11,0GPH 45° B BOQUILLA DAN 11,0GPH 45° B		UGELLO DAN 11,0GPH 45° B		1
	65300630	DUESE DAN 5,00GPH 60° B SPROEIER DAN 5,00GPH 60° B		GICLEUR DAN 5,00GPH 60° B BOQUILLA DAN 5,00GPH 60° B		UGELLO DAN 5,00GPH 60° B		1
	65300688	DUESE DAN 12,0GPH 60° B SPROEIER DAN 12,0GPH 60° B		GICLEUR DAN 12,0GPH 60° B BOQUILLA DAN 12,0GPH 60° B		UGELLO DAN 12,0GPH 60° B		1

		<table border="1"><tr><td>RU</td></tr><tr><td>TR</td></tr></table>	RU	TR	<table border="1"><tr><td>PT</td></tr><tr><td></td></tr></table>	PT		<table border="1"><tr><td>PL</td></tr><tr><td></td></tr></table>	PL		
RU											
TR											
PT											
PL											
1006	65326224	ВОЗДУШНЫЙ КОЖУХ HAVA KILAVUZU	GUIA AR	PRZEWODNIK POWIETRZA	1						
1010	13009641	ИЗОЛЯЦИЯ ВОЗДУХОЗАБОРНИКА HAVA KUTUSU YALITIMI	ISOLAMENTO CAIXA DE ENTRADA DE AR	USZCZELKA SKRZYNKI POWIETRZA	1						
1011	13009640	УПЛОТНЕНИЕ ВОЗДУХОЗАБОРНИКА HAVA KUTUSU CONTASI	JUNTA CAIXA DE AR	USZCZELKA SKRZYNKI POWIETRZA	1						
1012	13009642	КРЫШКА ВОЗДУХОЗАБОРНИКА HAVA KUTUSU KAPAĞI	TAMPA REGISTRO DE AR	POKRYWA SKRZYNKI POWIETRZA	1						
1020	13009645	УСТРОЙСТВО РЕЦИРКУЛЯЦИИ ВОЗДУХА(ЧЕРНОЕ) HAVA GERİ DÖNÜŞÜMÜ (SIYAH)	RECICLAGEM DE AR (PRETO)	ODZYSKIWANIE POWIETRZA (CZARNY)	1						
	13009646	УСТРОЙСТВО РЕЦИРКУЛЯЦИИ ВОЗДУХА(БЕЛОЕ) HAVA GERİ DÖNÜŞÜMÜ (BEYAZ)	RECICLAGEM DE AR (BRANCO)	ODZYSKIWANIE POWIETRZA (BIAŁY)	1						
1025	65301017	РЕЦИРКУЛЯТОР ВОЗДУХА HAVA GERİ DOENÜŞÜMÜ	RECICLAGEM DE AR	RECYRKULACJA POWIETRZA	1						
1040	13016845	МУФТА ПРОПУСКА ПРОВОДА/КАРТЕР KABLO KANALI/KARTER	PASSA-CABOS/CAIXA	PRZELOTKA PRZEWODU/OBUDOWA	1						
1050	13014117	ВОЗДУШНАЯ ЗАСЛОНКА В СБОРЕ DONANIMLI HAVA KAPAKÇIĞI	CONJUNTO ALETA DE AR	ZASŁONA POWIETRZA Z WYPOSAŻENIEM	1						
1051	13011751	ПРУЖИНА СЕРАЯ/ВОЗД. GRI/ HAVA YAYI	MOLA ALETA DE AR (CINZENTA)	RESOR SZARY/ POW	1						
1055	65301071	СОЕДИНЕНИЕ В СБОРЕ L320/STE 4,5 B0 DONANIMLI BAĞLANTI L320/STE 4,5 B0	ACOPLAMENTO COMPLETO L320/STE 4,5 B0	SPRZĘGŁO Z OSPRZĘTE L320/STE 4,5 B0	1						
1070	13009649	РАБОЧЕЕ КОЛЕСО D240X82 d19 TÜRBİN D240X82 d19	TURBINA D240X82 d19	WIMIK D240X82 d19	1						
1090	65300527	СЕРВОПРИВОД STE 4,5 B037/6 SERVOMOTOR STE 4,5 B037/6	ATUADOR STE 4,5 B037/6	SERWOMOTOR STE 4,5 B037/6	1						
1091	65326229	СЕРВОДВИГАТЕЛЬ STE 4,5 B0.37/6-L SERVOMOTOR STE 4,5 B0.37/6-L	SERVOMOTOR STE 4,5 B0.37/6-L	SERWOMOTOR STE 4,5 B0.37/6-L	1						
1092	65326223	ЧЕХОЛ СЕРВОДВИГАТЕЛЬ SERVO MOTOR KAPAĞI	COBERTURA DO SERVOMOTOR	POKRYWA SERWOMOTOR	1						
1093	65326225	ВОЗДУШНАЯ ЗАСЛОНКА В СБОРЕ DONANIMLI HAVA KLAPESI	FLAP DE AR EQUIP.	PRZEPUSTNICA POWIETRZA Z OSPRZĘTEM	1						
1100	65301016	ЧЕХОЛ VECTRON5+ V6 +ВИНТ КРЕПЛЕНИЯ DONANIMLI MUHAFAZA KAPAĞI VECTRON5 / V6	EXTRATOR VECTRON5 E V6+PARAFUSO FIXAÇÃO	POKRYWA VECTRON5 I V6 Z OSPRZĘTEM	1						
1105	13009772	УПЛОТНИТЕЛЬНАЯ ЛЕНТА/КОЖУХ YALITIM BANDI / GÖVDE KAPLAMA	BANDA DE VEDAÇÃO EXAUSTOR	TAŚMA USZCZELNIAJĄCA/POKRYWA	1						
1111	65300519	ВИНТ С ПЛОСКОЙ ГОЛОВКОЙ M5X15 DÜZ BAŞLI VIDA M5X15	PARAFUSO CABEÇA PLANA M5X15	ŚRUBA Z ŁBEM NITOWYM PŁASKIM M5X15	1						
1150	13011117	КОНДЕНСАТОР 4µF 4µF KONDANSATÖR	CONDENSADOR 4µF	KONDENSATOR 4µF	1						
1160	13009654	ДВИГАТЕЛЬ 1,5 кВт 230/400 В D19 + РАЗЪЕМ 1,5KW 230/400V D19 MOTOR +PRİZ	MOTOR 1,5KW 230/400V D19+PLUGUE	SILNIK 1,5 KW 230/400 V D19+GNIAZDO	1						
1165	13011607	ДВИГАТЕЛЬ 0,16W230V GMP 0,16W230V GMP MOTOR	MOTOR 0,16W230V GMP	SILNIK 0,16 W 230 V GMP	1						
1170	65074172	СОЕД. МУФТА НАСОС/ДВИГАТЕЛЬ POMPA/MOTOR AKUPLEMANI	ACOPLAMENTO BOMBA/MOTOR	SPRZĘGŁO POMPY/SILNIKA	1						
1175	13019015	МАЗУТНЫЙ НАСОС AT2 95 C 9585 2P 0500 AT2 95 C 9585 2P 0500 YAKIT POMPASI	BOMBA COMBUSTÍVEL AT2 95 C 9585 2P 0500	POMPA PALIWA AT2 95 C 9585 2P 0500	1						
1180	13010468	КОМПЛЕКТ ФИЛЬТР D20 A47/57/67 FILTRE KITI D20 A 47/57/67	KIT FILTRO D20 A 47/57/67	ZESTAW FILTR D20 A47/57/67	1						
1185	13010006	КАТУШКА X НАСОС AS47/AL35 220/240 В BOBİN X POMPA AS47/AL35 220/240V	BOBINA X BOMBA AS47/AL35 220/240V	CEWKA X POMPA AS47/AL35 220/240 V	1						
1200	13009815	ШЛАНГ МАЗУТН., ДЛ. 1,5 М L 1.5M YAKIT HORTUMU	MANGUEIRA COMBUSTÍVEL C. 1,5M	PRZEWÓD PALIOWY L 1,5 M	1						
1205	13017121	ГИБКИЙ ТРУБОПРОВОД L580 ESNEK HORTUM L580	MANGUEIRA C580	PRZEWÓD GIĘTKI L580	1						
1210	13018875	ШТУЦЕР ПОВОРОТНЫЙ DÖNER RAKOR	CONEXÃO ORIENTÁVEL	ZŁĄCZE OBROTOWE	1						
1220	13018872	ЭЛЕКТРОКЛАПАН SUN SL1V2805 G1/8" 9W 230V ELECTROVANA SUN SL1V2805 G1/8" 9W 230V	VÁLV. SOLEN. SUN SL1V2805 G1/8" 9W 230V	ELEKTROZAWOR SUN SL1V2805 G1/8" 9W 230V	1						
1221	13018853	ОБОТКА RAP M13 230V 8W BOBIN RAP M13 230V 8W	BOBINA RAP M13 230V 8W	CEWKA RAP M13 230V 8W	1						
1230	13018871	ЭЛЕКТРОКЛАПАН SUN SL1V2805 G1/8 9W 230V+ ELECTROVANA SUN SL1V2805 G1/8 9W 230V+UN	ELECTROVALVULA SUN SL1V2805 G1/8 9W 230V	ELEKTROZAWOR SUN SL1V2805 G1/8 9W 230V+U	1						
1240	13009651	ОТБОР ВОЗД. ДАВЛЕНИЯ, ПЕРЕПАД (БЕЛЫЙ) DİFERANSİYEL BASINÇ PRİZİ (BEYAZ)	TORNEIRA DE PRESSÃO DIFERENCIAL (BRANCA)	GNIAZDO CIŚNIENIA RÓŻNICOWEGO (BIAŁE)	1						
1250	13020723	КРОШТЕЙН ПНЕВМОРЕЛЕ D32 HAVA BASINÇ ŞALTERİ MİSNEDİ D32	BASE MANÓSTATO AR D32	WSPORNIK CZUJNIKA CIŚNI. POWIETR. D32	1						
1260	65300991	РЕЛЕ ДАВЛЕНИЯ ВОЗДУХ HUBA 604 1-10MBAR HAVA BASINÇ ŞALTERİ HUBA 604 1-10MBAR	MANÓSTATO DE AR 604 1-10MBAR	CZUJNIK CIŚNIENIA POWIETR. HUBA 604 1-10	1						
	65301048	ЕЛЕ ДАВЛЕНИЯ ВОЗДУХ HUBA 604 5-20MBAR HAVA BASINÇ ŞALTERİ HUBA 5-20MBAR	MANÓSTATO DE AR HUBA 604 5-20MBAR	CZUJNIK CIŚNIENIA POWIETR. HUBA 5-20MBAR	1						

					
1501	65300879	БЛОК УПРАВЛЕНИЯ TCH 311.00 KUTU TCH 311.00	UNIDADE DE CONTROLE TCH 311.00	MODUŁ TCH 311.00	1
1504	65300997	КАБЕЛЬ / ТРАНСФО РОЗЖИГА KABLOSU / ATEŞLEME TRAFÖ.	CABO/ACENDEDOR	PRZEWÓD+GNIAZDO/APARAT ZAPŁONOWY	1
1505	65301049	КАБ. СБОРЕ/КЛАП.ДИЗЕЛЬ. ТОПЛИВА 1СТУПЕНЬ DONANIMLI KABLOSU/YAKIT VANASI 1. ORAN	CABO VÁLVULA COMBUSTÍVEL CPL. 1 ESTÁGIOS	PRZEW. Z OSPRZ./ZAWÓR OLEJU OP. 1.STOP.	1
1506	65300740	КАБ.СБОРЕ/КЛА. ДИЗЕЛЬ.ТОПЛ.2СТУП. L1000 DONAN. KABLO./YAKIT VANASI 2. ORAN L1000	C.J. CABO VÁLV. COMBUSTÍVEL 2 EST. C.1000	PRZE. Z OSPR./ZAWÓR OLEJU OP. 2.STOPIEŃ	1
1509	65300739	КАБ.СБОРЕ/КЛА. ДИЗЕЛЬ.ТОПЛ. 3СТУП. L1000 DONAN. KABLO./YAKIT VANASI 3. ORAN L1000	C.J. CABO VÁLV. COMBUSTÍVEL 3 EST. C.1000	PRZE. Z OSPR./ZAWÓR OLEJU OP. 3.STOPIEŃ	1
1525	65301109	ДИСПЛЕЙ БЛОК УПРАВЛЕНИЯ TCG-TCH REL. 2.2 EKRAN İÇİN KUTU TCG-TCH REL. 2.2	VISOR UNIDADE CONTROLE TCG-TCH REL.2.2	WYŚWIETLACZ / MODUŁ TCG-TCH REL.2.2	1
1550	13009778	КОНТАКТОР KONTAKTÖR	CONTATOR	KONTAKTOR	1
1560	13020693	ТЕПЛОЕ РЕЛЕ TERMİK ROELE	RELÉ TÉRMICO	PRZEKAŹNIK TERMICZNY	1
1600	13009663	ТРАНСФО РОЗЖИГА EBI 2X7,5 230V ATEŞLEME TRAFÖ. EBI 2X7,5 230V	TRANSFO IGNIÇÃO EBI 2X7,5 230V	TRANSFO ZAPŁONOWY EBI 2X7,5 230V	1
1610	13009661	ЗАТВОР/ПУЛЬТ TAPA / KONTROL PANELİ	OBTURADOR INTERFACE	PRZEPUSTNICA / PULPIT	1
1620	65300993	МУФТА ПРОКЛАДКИ ПРОВОДА D54/D47/D36 KABLO KANALI D54/D47/D36	PASSA-CABOS D54/D47/D36	PRZELOTKA PRZEWODU D54/D47/D36	1
1630	65300992	ПУЛЬТ УПРАВЛЕНИЯ ПЛАСТИКОВЫЙ İŞLETİM MASASI PLASTİK	PLACA DE CONTROLE PLÁSTICA	PLASTIKOWY PULPIT STEROWNICZY	1
1640	13016457	ДЕРЖАТЕЛЬ ПРЕДОХР-ЛЯ + ПРЕДОХР-ЛЬ 6,3 A SİGORTA TAŞIYICI + 6.3A SİGORTA	PORTA-FUSÍVEL+FUSÍVEL 6,3A	OPRAWA BEZPIECZNIKOWA +BEZPIECZNIK 6,3 A	1
1645	13016028	ПРЕДОХРАНИТЕЛЬ 5X20 6.3A SİGORTA 5X20 6.3A	FUSÍVEL 5X20 6,3A	BEZPIECZNIKA 5X20 6.3A	1
1650	13010007	ПЕРЕКЛЮЧАТЕЛЬ ŞALTER	INTERRUPTOR LIGAR/DESLIGAR	PRZELĄCZNIK	1
1660	13014009	ПЕРЕКЛЮЧАТЕЛЬ ŞALTER	INTERRUPTOR - FUNCIONAMENTO	PRZELĄCZNIK	1
1670	65300999	КАБЕЛЬ / НАСОС МОМТО KABLOSU / POMPA/ MOTOR	CABO / BOMBA MOTOR	PRZEWÓD / POMPA SILNIK	1
1680	65301000	КАБЕЛЬ L560+РАЗЪЕМ 4-ПОЛЮС/ДВИГАТЕЛЬ L560 KABLO +PRİZ 4P/MOTOR	CABO C.560+CONECTOR 4P/MOTOR	KABEL L560+GNIAZDO 4P/SILNIK	1
1920	65326516	ФОТОРЕЗИСТОР QRB1A LG.570+RAST5 HÜCRE QRB1A LG.570+RAST5	CELULA QRB1A LG.570+RAST5	FOTOKOMÓRKA QRB1A LG.570+RAST5	1
2020	13011594	ДЕФЛЕКТОР D125/40 9SL R DEFLEKTOR D125/40 9SL R	DEFLECTOR D125/40 9SL R	DEFLEKTOR D125/40 9SL R	1
	13017115	ДЕФЛЕКТОР D114/60 6SL R DEFLEKTOR D114/60 6SL R	DEFLECTOR D114/60 6SL R	DEFLEKTOR D114/60 6SL R	1
2030	13007852	РЕГУЛИРОВОЧНЫЙ КНОПКА KONTROL DÜĞMESİ	BOTÃO DE AJUSTE	POKRĘTŁO REGULACYJNY	1
2045	13007907	БЛОК ЭЛЕКТРОД.25X48 d4D1,5X22 45° + ВИНТ ELEKT.BLOĞU 25X48 d4D1,5X22 45° + VIDASI	BLOC.ELETR.25X48 d4D1,5X22 45° +PARAFUSO	BLOK ELEKTROD 25X48 d4D1,5X22 45° +ŞRUBA	1
	13009726	БЛОК ЭЛЕКТРОДОВ 27X55 d6,4D2X23 45°+ВИНТ ELEKTROD BLOĞU 27X55 d6,4D2X23 45°+VIDA.	BLOCO ELETROD.27X55 d6,4D2X23 45°+PARAF.	BLOK ELEKTROD 27X55 d6,4D2X23 45° +ŞRUBA	1
2046	13010049	ВИНТ С БУРТИКОМ M4/БЛОК ЭЛЕКТРОДОВ M4 OMUZLU VIDA/ELEKTROT BLOĞU	PARAFUSO M4/BLOCO DE ELÉTRODOS	ŞRUBA M4/BLOKADA ELEKTROD	1
2047	13009725	ФЛАНЕЦ 20X11X2,6 FIX. ЭЛЕКТРОД FLANŞI 20X11X2,6 FIX. ELEKTROD	FLANGE 20X11X2,6 FIX. ELETRODO	KOŁNIERZ 20X11X2,6 FIX. ELEKTRODA	1
2050	13020327	СИГНАЛЬНАЯ ЛАМПА İKAZ LAMBASI	LUZ INDICADORA	WZIERNIK	1
2070	13010059	КАБЕЛЬ РОЗЖИГА L850 ATEŞLEME KABLOSU L850	CABO DE IGNIÇÃO C.850	PRZEWÓD ZAPŁONOWY L850	1
	65301044	КАБЕЛЬ РОЗЖИГА D4-D6,35X1050 ATEŞLEME KABLOSU D4-D6,35X1050	CABO DE IGNIÇÃO D4-D6,35X1050	PRZEWÓD ZAPŁONOWY D4-D6,35X1050	1
2075	13009625	РЕЗИНОВЫЙ КОЛПАЧОК / ЗАПАЛН. ПРОВОД KAUÇUK BAŞLIK / ALÜMİNYUM KABLO	TAMPA DE BORRACHA/CABO DE IGNIÇÃO	ZAKRĘTKA PLASTIK/KABEL ALU	1
2100	65301038	ДЕРЖА. ФОРСУ. СБОРЕ NC95/VL5 950 T1/KN KMP.PÜSK.MEMESİ TAŞI. NC95/VL5 950 T1/KN	LINHA BOCAL COMPLET. NC95/VL5 950 T1/KN	KOMPLET.UKŁAD DYSZY NC95/VL5 950 T1/KN	1
	65301039	ДЕРЖА. ФОРСУ. СБОРЕ NC95/VL5 950 T2/KL KMP.PÜSK.MEMESİ TAŞI. NC95/VL5 950 T2/KL	LINHA BOCAL COMPLET. NC95/VL5 950 T2/KL	KOMPLET.UKŁAD DYSZY NC95/VL5 950 T2/KL	1
	65301040	ДЕРЖА. ФОРСУ. СБОРЕ NC95/VL5 950 T3/KM KMP.PÜSK.MEMESİ TAŞI. NC95/VL5 950 T3/KM	LINHA BOCAL COMPLET. NC95/VL5 950 T3/KM	KOMPLET.UKŁAD DYSZY NC95/VL5 950 T3/KM	1
	65301041	ДЕРЖА. ФОРСУ. СБОРЕ NC120/VL5 1200 T1/KN KMP.PÜSK.MEMESİ TAŞI.NC120/VL5 1200T1/KN	LINHA BOCAL COMPLET.NC120/VL5 1200 T1/KN	KOMPLET.UKŁAD DYSZY NC120/VL5 1200 T1/KN	1
	65301042	ДЕРЖА. ФОРСУ. СБОРЕ NC120/VL5 1200 T2/KL KMP.PÜSK.MEMESİ TAŞI.NC120/VL5 1200T2/KL	LINHA BOCAL COMPLET.NC120/VL5 1200 T2/KL	KOMPLET.UKŁAD DYSZY NC120/VL5 1200 T2/KL	1
	65301043	ДЕРЖА. ФОРСУ. СБОРЕ NC120/VL5 1200 T3/KM KMP.PÜSK.MEMESİ TAŞI.NC120/VL5 1200T3/KM	LINHA BOCAL COMPLET.NC120/VL5 1200 T3/KM	KOMPLET.UKŁAD DYSZY NC120/VL5 1200 T3/KM	1

☞	XXXXXXXX	RU	PT	PL	X
		TR			
2101	13011595	ЛИНИЯ ФОРСУНКИ T1/KN L711 PÜSKÜRTME MEMESİ HATTI T1/KN L711	LÍNEA DE BOQUILLA T1/KN L711	UKŁAD DYSZY T1/KN L711	1
	13011596	ЛИНИЯ ФОРСУНКИ T2/KL L931 PÜSKÜRTME MEMESİ HATTI T2/KL L931	LÍNEA DE BOQUILLA T2/KL L931	UKŁAD DYSZY T2/KL L931	1
	13011597	ЛИНИЯ ФОРСУНКИ T3/KM L821 PÜSKÜRTME MEMESİ HATTI T3/KM L821	LÍNEA DE BOQUILLA T3/KM L821	UKŁAD DYSZY T3/KM L821	1
2140	13011601	СОПЛО ГОРЕЛКИ D141/125/170 L305 BRÜLÖR BORUSU D141/125/170 L305	TUBO DO QUEIMADOR D141/125/170 L305	RURA PALNIKA D141/125/170 L305	1
	13011602	СОПЛО ГОРЕЛКИ D141/125/170 L525 BRÜLÖR BORUSU D141/125/170 L525	TUBO DO QUEIMADOR D141/125/170 L525	RURA PALNIKA D141/125/170 L525	1
	13011603	СОПЛО ГОРЕЛКИ D141/125/170 L415 BRÜLÖR BORUSU D141/125/170 L415	TUBO DO QUEIMADOR D141/125/170 L415	RURA PALNIKA D141/125/170 L415	1
	65301045	СОПЛО ГОРЕЛКИ D170/155 L305 BRÜLÖR BORUSU D170/155 L305	TUBO DO QUEIMADOR D170/155 L305	RURA PALNIKA D170/155 L305	1
	65301046	СОПЛО ГОРЕЛКИ D170/155 L525 BRÜLÖR BORUSU D170/155 L525	TUBO DO QUEIMADOR D170/155 L525	RURA PALNIKA D170/155 L525	1
	65301047	СОПЛО ГОРЕЛКИ D170/155 L415 BRÜLÖR BORUSU D170/155 L415	TUBO DO QUEIMADOR D170/155 L415	RURA PALNIKA D170/155 L415	1
2150	13009619	УПЛОТНЕНИЕ/ПЕРЕДН ЧАСТЬ КОТЛА 228X220X10 228X220X10 KAZAN CONTASI/ÖN YÜZÜ	JUNTA/FRENTE CALDEIRA 228X220X10	USZCZELKA/ŚCIANA CZOŁ. KOTŁA 228X220X10	1
2170	13007804	ВИНТ М6 (ЛЕВ РЕЗЬБ) КРЕПЛ. ТРУБ ГОРЕЛКИ BRÜLÖR TÜRÜ M6 TESPİT VIDASI(SOLA DÖNÜŞ)	PARAFUSO M6 (PASSO ESQ.) TUBO QUEIMADOR	ŚRUBA M6 (LEWOSKRĘTNA) MOC. RURĘ PALNIKA	1
2400	13016045	NOZZLE DAN 6,50GPH 45° B NOZZLE DAN 6,50GPH 45° B	BOCAL DAN 6,50GPH 45° B	NOZZLE DAN 6,50GPH 45° B	1
	13016047	NOZZLE DAN 7,50GPH 45° B NOZZLE DAN 7,50GPH 45° B	BOCAL DAN 7,50GPH 45° B	NOZZLE DAN 7,50GPH 45° B	1
	13016048	NOZZLE DAN 8,50GPH 45° B NOZZLE DAN 8,50GPH 45° B	BOCAL DAN 8,50GPH 45° B	NOZZLE DAN 8,50GPH 45° B	1
5001	13016039	NOZZLE DAN 10,0GPH 45° B NOZZLE DAN 10,0GPH 45° B	BOCAL DAN 10,0GPH 45° B	NOZZLE DAN 10,0GPH 45° B	1
	13016042	NOZZLE DAN 4,50GPH 45° B NOZZLE DAN 4,50GPH 45° B	BOCAL DAN 4,50GPH 45° B	NOZZLE DAN 4,50GPH 45° B	1
	13016043	NOZZLE DAN 5,50GPH 45° B NOZZLE DAN 5,50GPH 45° B	BOCAL DAN 5,50GPH 45° B	NOZZLE DAN 5,50GPH 45° B	1
	13016044	NOZZLE DAN 5,00GPH 45° B NOZZLE DAN 5,00GPH 45° B	BOCAL DAN 5,00GPH 45° B	NOZZLE DAN 5,00GPH 45° B	1
	13016045	NOZZLE DAN 6,50GPH 45° B NOZZLE DAN 6,50GPH 45° B	BOCAL DAN 6,50GPH 45° B	NOZZLE DAN 6,50GPH 45° B	1
	13016047	NOZZLE DAN 7,50GPH 45° B NOZZLE DAN 7,50GPH 45° B	BOCAL DAN 7,50GPH 45° B	NOZZLE DAN 7,50GPH 45° B	1
	13016048	NOZZLE DAN 8,50GPH 45° B NOZZLE DAN 8,50GPH 45° B	BOCAL DAN 8,50GPH 45° B	NOZZLE DAN 8,50GPH 45° B	1
	13016049	ФОРСУНКА DAN 10,0GPH 60° B PÜSKÜRTME MEMESİ DAN 10,0GPH 60° B	BOCAL DAN 10,0GPH 60° B	DYSZA DAN 10,0GPH 60° B	1
	13016050	ФОРСУНКА DAN 11,0GPH 60° B PÜSKÜRTME MEMESİ DAN 11,0GPH 60° B	BOCAL DAN 11,0GPH 60° B	DYSZA DAN 11,0GPH 60° B	1
	13016053	ФОРСУНКА DAN 4,50GPH 60° B PÜSKÜRTME MEMESİ DAN 4,50GPH 60° B	BOCAL DAN 4,50GPH 60° B	DYSZA DAN 4,50GPH 60° B	1
	13016054	ФОРСУНКА DAN 5,50GPH 60° B PÜSKÜRTME MEMESİ DAN 5,50GPH 60° B	BOCAL DAN 5,50GPH 60° B	DYSZA DAN 5,50GPH 60° B	1
	13016056	ФОРСУНКА DAN 6,50GPH 60° B PÜSKÜRTME MEMESİ DAN 6,50GPH 60° B	BOCAL DAN 6,50GPH 60° B	DYSZA DAN 6,50GPH 60° B	1
	13016058	ФОРСУНКА DAN 7,50GPH 60° B PÜSKÜRTME MEMESİ DAN 7,50GPH 60° B	BOCAL DAN 7,50GPH 60° B	DYSZA DAN 7,50GPH 60° B	1
	13016059	ФОРСУНКА DAN 8,50GPH 60° B PÜSKÜRTME MEMESİ DAN 8,50GPH 60° B	BOCAL DAN 8,50GPH 60° B	DYSZA DAN 8,50GPH 60° B	1
	13023430	NOZZLE DAN 11,0GPH 45° B NOZZLE DAN 11,0GPH 45° B	BOCAL DAN 11,0GPH 45° B	NOZZLE DAN 11,0GPH 45° B	1
	65300630	ФОРСУНКА DAN 5,00GPH 60° B PÜSKÜRTME MEMESİ DAN 5,00GPH 60° B	BOCAL DAN 5,00GPH 60° B	DYSZA DAN 5,00GPH 60° B	1
	65300688	ФОРСУНКА DAN 12,0GPH 60° B PÜSKÜRTME MEMESİ DAN 12,0GPH 60° B	BOCAL DAN 12,0GPH 60° B	DYSZA DAN 12,0GPH 60° B	1

К О Н Т А К Т Ы

Distributor in Russia "Teplopartner" LTD
Russia, Krasnodar city, Stasova street,184, office 4
Tel./fax.: 8 (861) 234 23 83, +7 (961) 854 41 24
www.gorelka-kotel.ru info@gorelka-kotel.ru